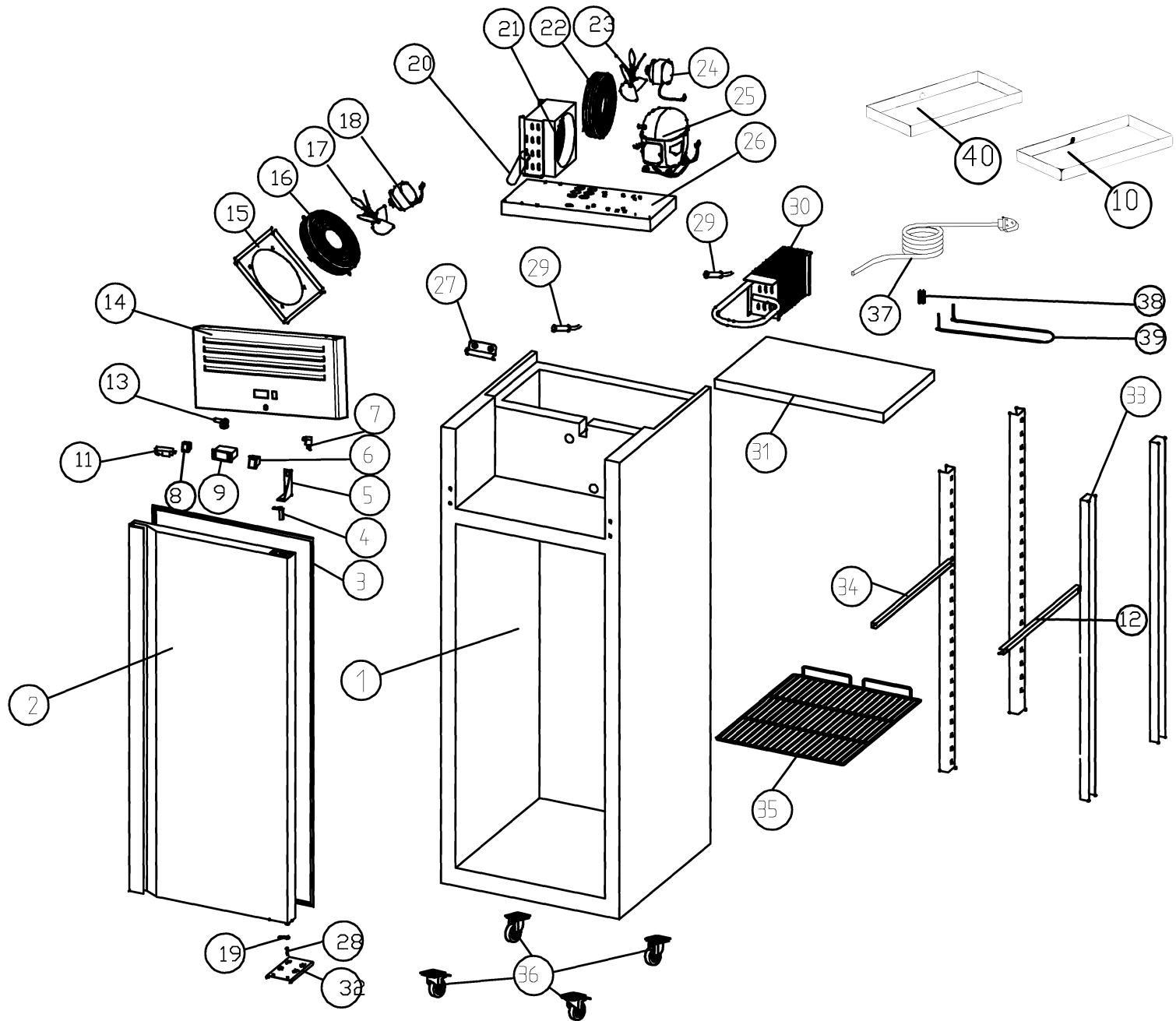


# TG700ND



**TG700ND Spare parts list**

S/N	Number	Name	UNIT	QTY
1	SKC-0-000-0101-0	Body	SET	1
2	SKC-0-000-0005-0	Door	SET	1
3	SKC-2-110-0037-0	Gasket	PCS	1
4	SKC-2-160-0600-0	Door Spring	PCS	1
5	SKC-2-001-0153-0	UP HINGE/RIGHT	PCS	1
6	SKC-4-050-0009-0	defrost indicator	PCS	1
7	SKC-4-050-0005-0	main switch	PCS	1
8	SKC-4-050-0001-0	door swithc	PCS	1
9	SKC-4-030-0018-0	thermostat	PCS	1
10	SKC-2-002-1048-0	INNER WATER PAN SET	PCS	1
11	SKC-4-050-0056-0	LED light	PCS	1
12	SKC-2-001-1027-0	guide rail		3
13	SKC-2-170-0081-0	lock	PCS	1
14	SKC-2-002-1208-0	front panel	PCS	1
15	SKC-2-110-0029-0	fan cover	PCS	1
16	SKC-2-120-0042-0	fan grill	PCS	1
17	SKC-2-105-0002-0	fan blade	PCS	1
18	SKC-4-001-0003-0	motor	PCS	1
19	SKC-2-110-0353-0	shaft sleeve		1
20	SKC-2-103-0001-0	dry filter	PCS	1
21	SKC-2-102-0012-0	condenser	PCS	1
22	SKC-2-120-0041-0	fan grill	PCS	1
23	SKC-2-105-0001-0	fan blade	PCS	1
24	SKC-4-001-0004-0	motor	PCS	1
25	SKC-4-040-0113-0	compressor	PCS	1
26	SKC-2-001-0518-0	unit board	PCS	1
27	SKC-2-002-0036-0	probe pad	PCS	1
28	SKC-2-170-0211-0	hinge axis		1
29	SKC-4-030-0006-0	probe	PCS	2
30	SKC-2-101-0018-0	evaporator	PCS	1
31	SKC-0-000-0006-0	top	PCS	1
32	SKC-2-001-0385-0	DOWN HINGE/RIGHT	PCS	1
33	SKC-2-001-0051-0	shelf support	PCS	4
34	SKC-2-002-0918-0	guide rail	PCS	3
35	SKC-2-120-0001-0	shelf	PCS	3
36	SKC-2-140-0005-0	foot with brake	PCS	2
36	SKC-2-140-0004-0	foot without brake	PCS	2
37	SKC-4-010-0080-0	power core	PCS	1
38	SKC-4-060-0001-0	overheat protector		1
39	SKC-4-020-0123-0	heator		1
40	SKC-0-000-0010-0	OUTER WATER PAN SET	PCS	1