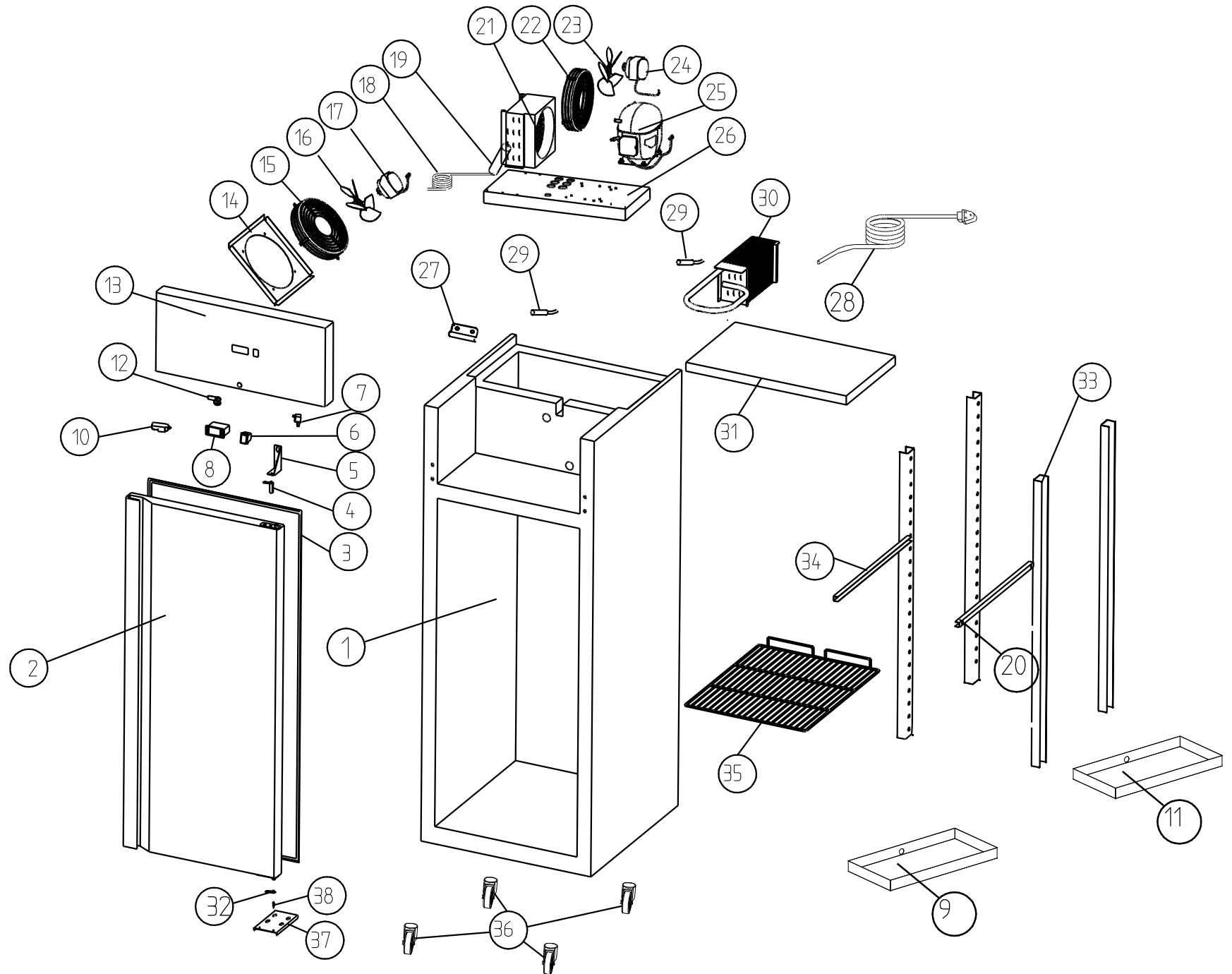


GNH580TN



KS600ND Spare parts list

S/N	Number	Name	UNIT	QTY
1	SKC-0-000-1300-0	Body	SET	1
2	SKC-0-000-0005-0	Door	SET	1
3	SKC-2-110-0037-0	Gasket	PCS	1
4	SKC-2-160-0600-0	Door Spring	PCS	1
5	SKC-2-001-0153-0	UP HINGE/RIGHT	PCS	1
6	SKC-4-050-0001-0	main switch	PCS	1
7	SKC-4-050-0005-0	door switch	PCS	1
8	SKC-4-030-0002-0	thermostat	PCS	1
9	SKC-0-000-1309-0	INNER WATER PAN SET	PCS	1
10	SKC-4-050-0056-0	LED light	PCS	1
11	SKC-0-000-1310-0	OUTER WATER PAN SET	PCS	1
12	SKC-2-170-0081-0	lock	PCS	1
13	SKC-2-002-1133-0	front panel	PCS	1
14	SKC-2-002-0458-0	fan cover	PCS	1
15	SKC-2-120-0045-0	fan grill	PCS	1
16	SKC-2-105-0001-0	fan blade	PCS	1
17	SKC-4-001-0004-0	fan	PCS	1
18	SKC-2-104-0165-0	capillary	PCS	1
19	SKC-2-103-0001-0	dry filter	PCS	1
20	SKC-2-001-0384-0	guide right	PCS	3
21	SKC-2-102-0048-0	condenser	PCS	1
22	SKC-2-120-0041-0	fan grill	PCS	1
23	SKC-2-105-0003-0	fan blade	PCS	1
24	SKC-4-001-0005-0	motor	PCS	1
25	SKC-4-040-0073-0	compressor	PCS	1
26	SKC-0-000-1303-0	top	PCS	1
27	SKC-2-002-0036-0	probe pad	PCS	1
28	SKC-4-010-0080-0	power core	PCS	1
29	SKC-4-030-0005-0	probe	PCS	2
30	SKC-2-101-0213-0	evaporator	PCS	1
31	SKC-2-002-0441-0	unit board	PCS	1
32	SKC-2-110-0353-0	shaft sleeve	PCS	1
33	SKC-2-001-0051-0	shelf support	PCS	4
34	SKC-2-120-0116-0	guide right	PCS	3
35	SKC-2-120-0006-0	shelf	PCS	3
36	SKC-2-140-0005-0	foot with brake	PCS	2
	SKC-2-140-0004-0	foot without brake	PCS	2
37	SKC-2-001-0385-0	DOWN HINGE/RIGHT	PCS	1
38	SKC-2-170-0211-0	hinge axis	PCS	1