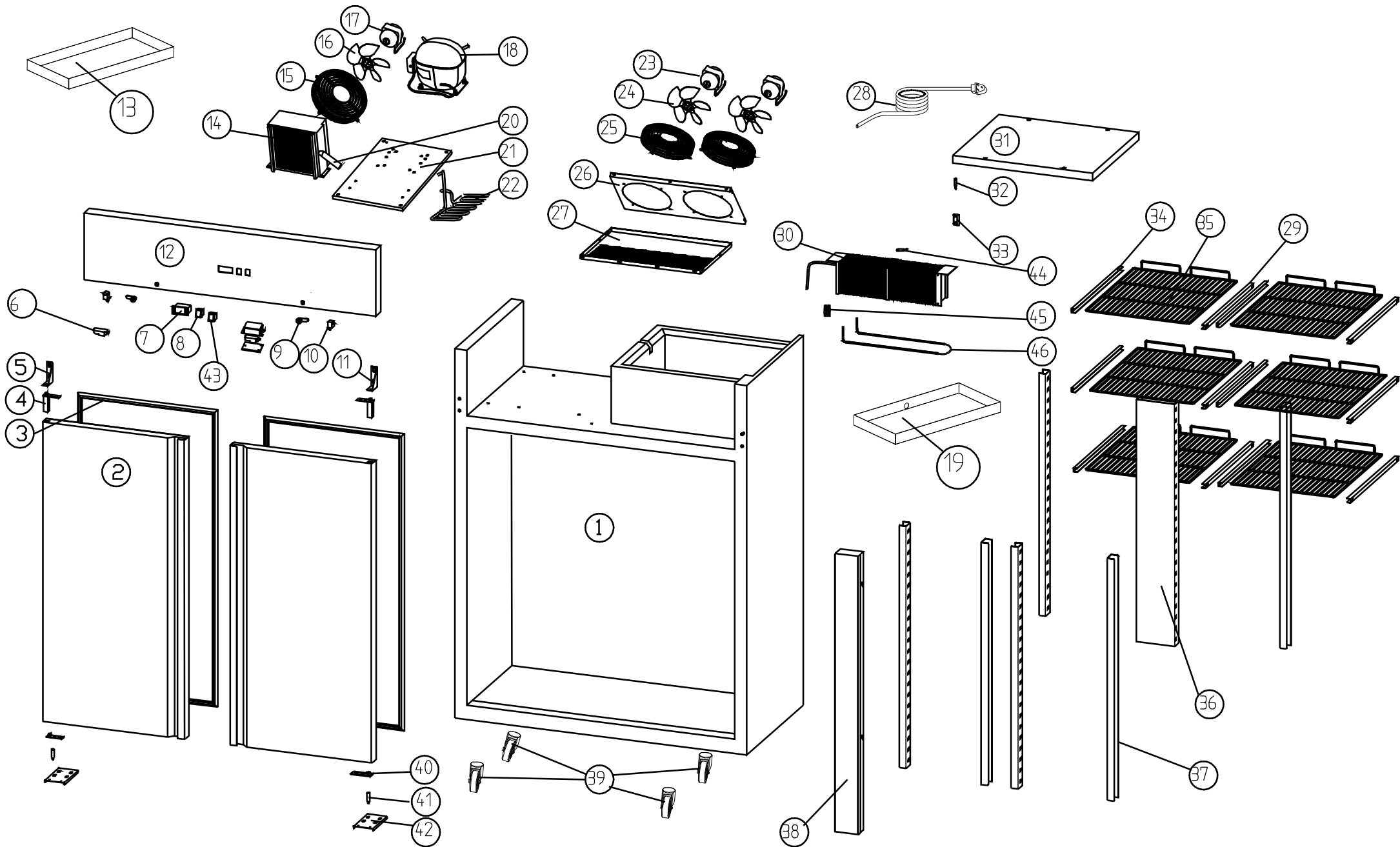


GNH1180BT



TS1200ND Spare parts list

S/N	Number	Name	UNIT	QTY
1	SKC-0-000-1348-0	body	SET	1
2	SKC-0-000-0005-0	door	SET	2
3	SKC-2-110-0037-0	gasket	PCS	2
4	SKC-2-160-0600-0	door spring	PCS	2
5	SKC-2-001-1056-0	top hinge left	PCS	1
6	SKC-4-050-0056-0	LED LIGHT	PCS	1
7	SKC-4-030-0010-0	thermostat	PCS	1
8	SKC-4-050-0001-0	main switch	PCS	1
9	SKC-2-170-0081-0	lock	PCS	2
10	SKC-4-050-0005-0	door switch	PCS	2
11	SKC-2-001-0153-0	UP HINGE/RIGHT	PCS	1
12	SKC-2-002-1131-0	front panel	PCS	1
13	SKC-0-000-0068-0	OUTER WATER PAN SET	PCS	1
14	SKC-2-102-0052-0	condensor	PCS	1
15	SKC-2-120-0041-0	BASKET GUARD GRILLES	PCS	1
16	SKC-2-105-0001-0	fan blade	PCS	1
17	SKC-4-001-0004-0	motor	PCS	2
18	SKC-4-040-0111-0	compressor	PCS	1
19	SKC-0-000-0218-0	INNER WATER PAN SET	PCS	1
20	SKC-2-103-0001-0	dry filter	PCS	1
21	SKC-2-002-0896-0	unit board	PCS	1
22	SKC-2-104-0214-0	hot pipe	PCS	1
23	SKC-4-001-0003-0	FAN	PCS	2
24	SKC-2-105-0002-0	fan blade	PCS	2
25	SKC-2-120-0042-0	fan grill	PCS	1
26	SKC-2-002-2009-0	fan support	PCS	1
27	SKC-2-002-0811-0	fan cover	PCS	1
30	SKC-4-010-0080-0	power core	PCS	1
29	SKC-2-001-0384-0	guide rail	PCS	6
30	SKC-2-101-0020-0	evaporator	PCS	1
31	SKC-0-000-0065-0	top	PCS	1
32	SKC-4-030-0005-0	probe	PCS	2
33	SKC-2-002-0036-0	probe seat	PCS	1
34	SKC-2-120-0116-0	guide rail	PCS	6
35	SKC-2-120-0006-0	shelf	PCS	6
36	SKC-2-001-0055-0	shelf support back	PCS	1
37	SKC-2-001-0051-0	shelf support	PCS	6
38	SKC-0-000-0064-0	mullion	PCS	1
39	SKC-2-140-0005-0	foot with brake	PCS	2
	SKC-2-140-0004-0	foot without brake	PCS	2
40	SKC-2-110-0353-0	shaft sleeve	PCS	2
41	SKC-2-170-0211-0	hinge axis	PCS	2
42	SKC-2-001-0385-0	DOWN HINGE/RIGHT	PCS	2
43	SKC-4-050-0009-0	defrost indicator	PCS	1
44	SKC-4-030-0005-0	sensor	PCS	1
45	SKC-4-060-0007-0	overheat protector	PCS	1
46	SKC-4-020-0073-0	heator	PCS	1