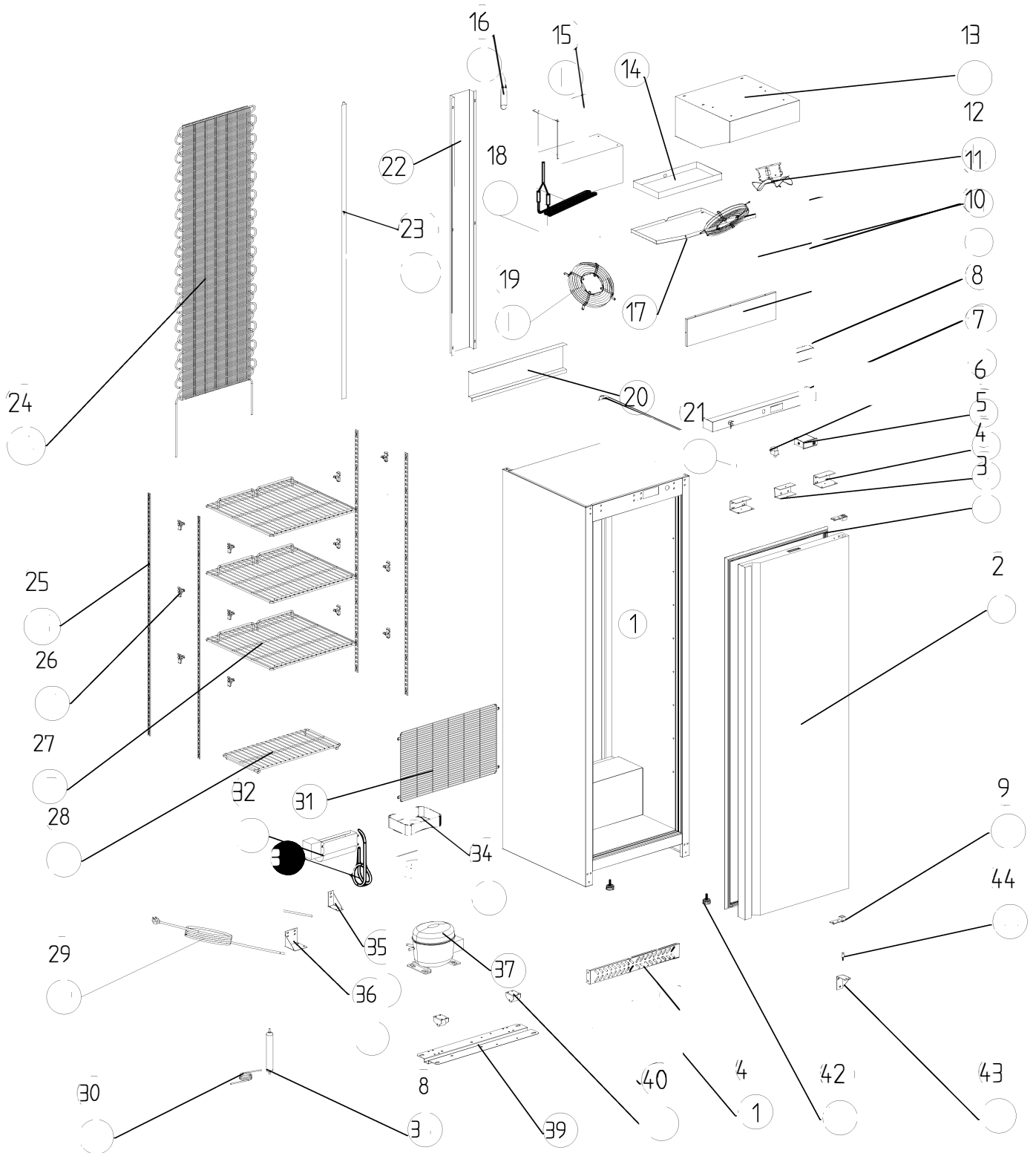


TKSS400N



TKSS400N (SF40VS) spare parts list

No.		name	
1	SKC-0-000-0149-0	BODY	1
2	SKC-0-000-2034-0	DOOR	1
3	SKC-2-110-0633-0	GASKET	1
4	SKC-2-001-2024-0	lock hook	1
5	SKC-2-001-2023-0	HINGE-UP	2
6	SKC-4-030-0010-0	thermostat	1
7	SKC-4-050-0005-0	DOOR SWICHT	1
8	SKC-2-110-0353-0	PLASTIC HINGE	2
9	SKC-2-110-0634-0	CONTROL PLATE	1
10	SKC-2-006-0505-0	INNER COVER PLATE	1
11	SKC-2-120-0041-0	FAN GUARD	1
12	SKC-4-001-0004-0	motor	1
13	SKC-2-006-0631-0	evaporator FIXED CONVER	1
14	SKC-2-002-0186-0	evaporator WATER PAN	1
15	SKC-2-101-0086-0	EVAPORATOR	1
16	SKC-4-030-0006-0	SENSOR	1
17	SKC-2-006-0630-0	fan COVER	1
18	SKC-2-170-0283-0	SS HEATER	1
19	SKC-2-120-0045-0	lock hook	1
20	SKC-2-006-2050-0	back grill	1
21	SKC-2-170-0081-0	LOCK	1
22	SKC-2-006-0629-0	BACK COVER	1
23	SKC-2-006-0019-0	convenient slot	1
24	SKC-2-102-0032-0	CONDENSOR	1
25	SKC-2-120-0066-0	SHELF HOOK	4
26	SKC-2-110-0625-0	SHELF SUPPORT	12
27	SKC-2-120-0105-0	SHELF	3
28	SKC-2-120-0068-0	bottom shelf	1
29	SKC-4-010-0038-0	power core	1
30	SKC-2-104-0002-0	CAPILLARY	1
31	SKC-2-120-0037-0	unit room grill	1
	SKC-4-001-0036-0	FAN	1
33	SKC-2-103-0023-0	returning pipe unit	1
34	SKC-2-110-0183-0	WATER PAN	1
35	SKC-2-006-0458-0	FAN SUPPORT-LEFT	1
36	SKC-2-006-0459-0	FAN SUPPORT-RIGHT	1
37	SKC-4-040-0009-0	COMPRESSOR	1
38	SKC-2-103-0001-0	FILTER DRIER	1
39	SKC-2-001-0286-0	UNIT BOARD	1
40	SKC-2-110-0638-0	wheel	2
41	SKC-2-006-0835-0	bottom panel	1
42	SKC-2-140-0008-0	FEET	2
43	SKC-2-001-6033-0	HINGE-BOTTOM	1
44	SKC-2-170-0211-0	HINGE AXIS	2