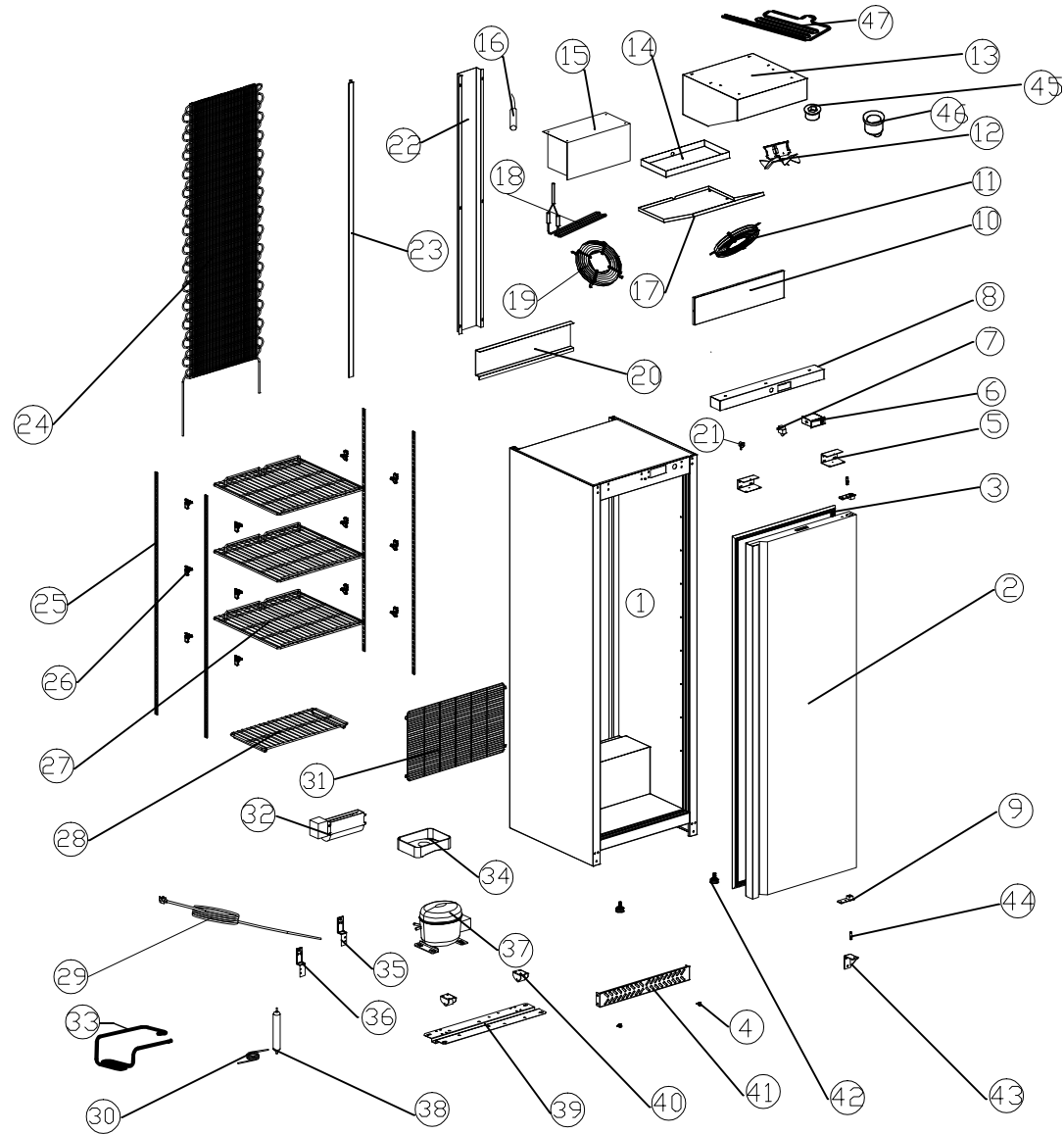


# SF60V Exploded Drawing



## TKSS600SFN

		name	
1	SKC-0-000-0617-0	body	1
2	SKC-0-000-0723-0	door	1
3	SKC-2-110-0645-0	gasket	1
4	SKC-2-160-0224-0	screw	2
5	SKC-2-006-0635-0	up hinge	2
6	SKC-4-030-0018-0	thermostat	1
7	SKC-4-050-0005-0	door switch	1
8	SKC-0-000-0725-0	front panel	1
9	SKC-2-110-0353-0	shaft sleeve	2
10	SKC-2-006-0503-0	inner plate	1
11	SKC-2-120-0045-0	BASKET GUARD GRILLES	1
12	SKC-4-001-0004-0	FAN	1
13	SKC-2-006-0627-0	evaporator fixed plate	1
14	SKC-2-002-0244-0	evaporator WATER PAN SET	1
15	SKC-2-101-0087-0	evaporator	1
16	SKC-4-030-0006-0	probe	2
17	SKC-2-006-0626-0	fan plate	1
18	SKC-4-020-0100-0	heating	1
19	SKC-2-120-0041-0	BASKET GUARD GRILLES	1
20	SKC-2-006-2086-0	Back wire guard	1
21	SKC-2-170-0081-0	lock	1
22	SKC-2-110-0184-0	Pressure plate of return pipe	1
23	SKC-2-006-0019-0	Wire guard slot	1
24	SKC-2-102-0024-0	condensor	1
25	SKC-9-000-0033-0	Shelf bar	4
26	SKC-2-110-0625-0	shelf support	24
27	SKC-2-120-0072-0	shelf	6
28	SKC-2-120-0070-0	down shelf	1
29	SKC-4-010-0080-0	power core	1
30	SKC-2-104-0166-0	capillary	1
31	SKC-2-120-0071-0	fan grill	1
32	SKC-4-001-0054-0	condensor fan	1
33	SKC-2-103-0024-0	muffler	1
34	SKC-2-110-0640-0	wanter pan	1
35	SKC-2-002-0839-0	fan support-left	1
36	SKC-2-002-0840-0	fan support-right	1
37	SKC-4-040-0095-0	compressor	1
38	SKC-2-103-0026-0	dry filter	1
39	SKC-2-001-2030-0	unit board	1
40	SKC-2-110-0638-0	Roller	2
41	SKC-2-006-0836-0	down pannel	1
42	SKC-2-140-0008-0	feet	2
43	SKC-2-001-0516-0	down hinge	1
44	SKC-2-170-0211-0	HINGE AXIS	2
45	SKA-2-110-0014-0	inner drain pipe	1
46	SKA-2-110-0015-0	inner drain pipe	1
47	SKC-4-020-0086-0	Water box heating wire	1