

USER MANUAL

For KSG568 & TKSG568



GENERAL

PLEASE READ THE INTRODUCTIONS IN THIS MANUAL AS IT CONTAINS IMPORTANT INFORMATION

REGARDING PROPER, EFFICIENT AND SAFE USE AND MAINTENANCE OF THE APPLIANCE. KEEP THIS MANUAL IN A SAFE PLACE FOR THE EVENTUAL USE BY OTHER OPERATORS OF THE APPLIANCE.

THE INSTALLATION OF THIS APPLIANCE MUST BE CARRIED OUT IN THE ACCORDANCE WITH THE MANUFACTURERS INSTRUCTIONS AND FOLLOWING LOCAL REGULATIONS.

SWITCH OFF THE APPLIANCE IN THE CASE OF FAILURE OR MALFUNCTION.

HAVE THE APPLIANCE SERVICED BY A TECHNICALLY QUALIFIED PERSON AUTHORIZED BY THE MANUFACTURER AND USING ORIGINAL SPARE PARTS.

NOT COMPLYING WITH THE ABOVE MAY JEOPARDIZE THE SAFETY OF THE APPLIANCE.

BEFORE PERFORMING ANY CLEANING OR MAINTENANCE OPERATION ALWAYS TURN OFF THE APPLIANCE AND UNPLUG IT FROM THE POWER SUPPLY.

SAFETY AND INSTALLATION

1. PLEASE PAY ATTENTION TO THE WORK ENVIRONMENT, THIS EQUIPMENT SUIT THE SUB-TROPIC CLIMATE AND CAN BE USED IN THE AMBIENT TEMPERATURE RANGE FROM 10-38°C

2. INPUT VOLTAGE:220-240VAC 50Hz, CLASS I. TO REDUCE THE RISK OF FIRE, ELECTRIC SHOCK OR INJURY WHEN USING YOUR REFRIGERATOR, FOLLOW THESE BASIC PRECAUTIONS:

a. PLUG INTO GROUNDED 3 PRONG OUTLET;

b. DO NOT REMOVE GROUND PRONG;

c. DO NOT USE A ADAPTER;

d. DO NOT USE EXTENSION CORD;

e. DISCONNECT POWER BEFORE SERVICING

3. PLEASE SET THIS EQUIPMENT BY PROFESSIONAL ELECTRICIAN

4. THE REFRIGERATOR SHOULD BE PLACED ON A HORIZONTAL PROPERLY LEVELED SURFACE. DURING USING, THE INCLINE ANGLE OF THE CABINET SHOULD NOT BE OVER 10°, OTHERWISE, THE REFRIGERATOR CAN NOT WORK NORMALLY.

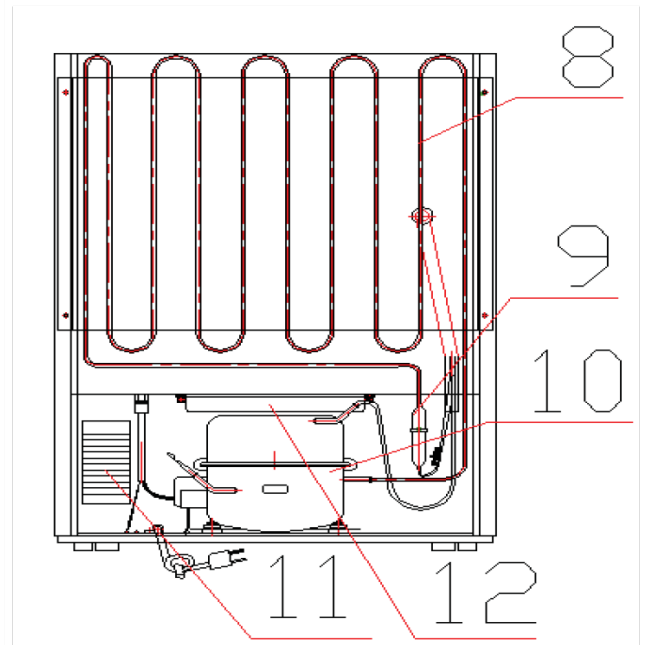
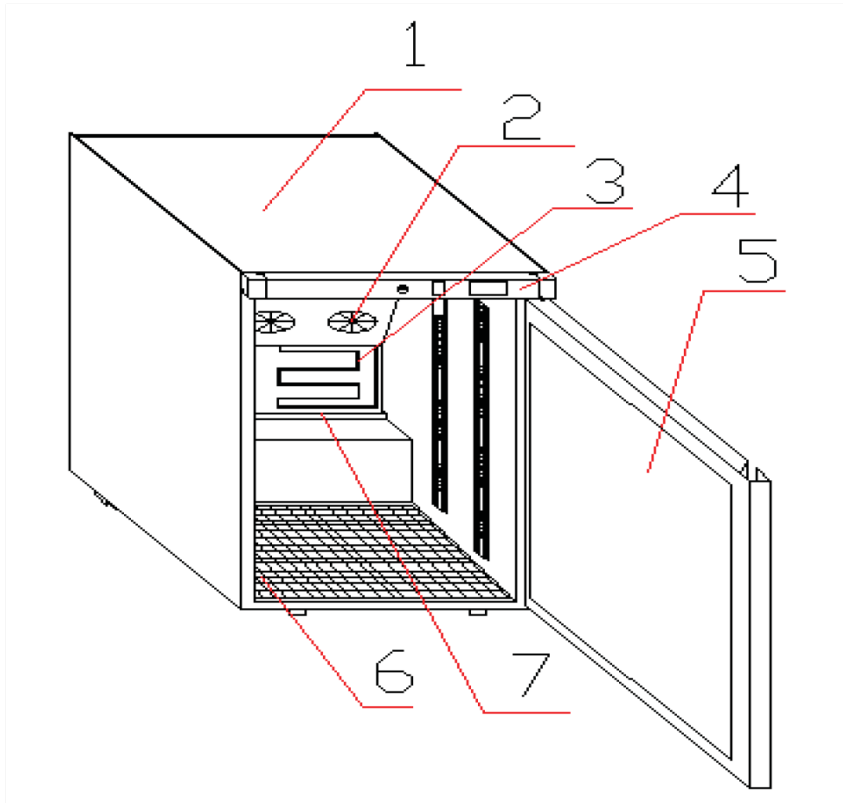
5. TO ENSURE PROPER VENTILATION SPACE FOR YOUR REFRIGERATOR, ALLOW 150mm SPACE ON THE TOP, BACK OF THE REFRIGERATOR.

6. DURING USING, PLEASE REFER PARAMETERLIST AND DEBUG THE REFRIGERATOR ACCORDING TO THE INDICATION .

7. IF GET TROUBLE, PLEASE REFER "TROUBLESHOOTING" OR CONTACT THE SALES SERVICE MAN.

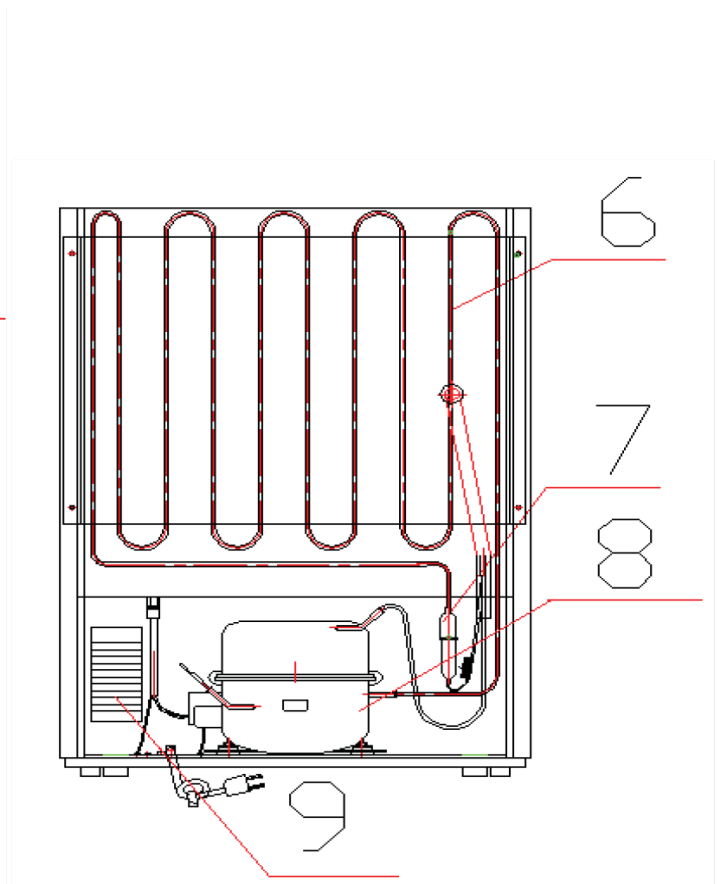
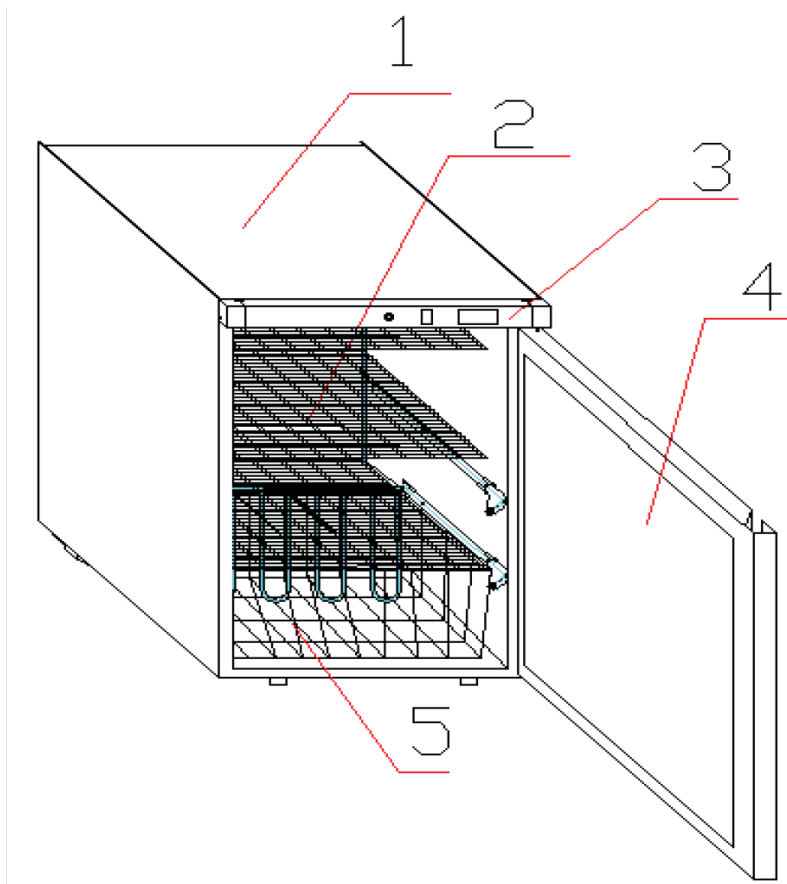
STRUCTURE

KSG568



1	CABINET
2	EVAPORATOR FAN
3	EVAPORATOR
4	DIGITAL CONTROLLER
5	DOOR
6	SHELF
7	INSIDE WATER FLUME
8	CONDENSER
9	FILTER
10	COMPRESSOR
11	CIRCUIT BOX
12	OUTSIDE WATER FLUME

TKSG568



1	CABINET
2	EVAPORATOR
3	DIGITAL CONTROLLER
4	DOOR
5	DRAWER
6	CONDENSER
7	FILTER
8	COMPRESSOR
9	CIRCUIT BOX

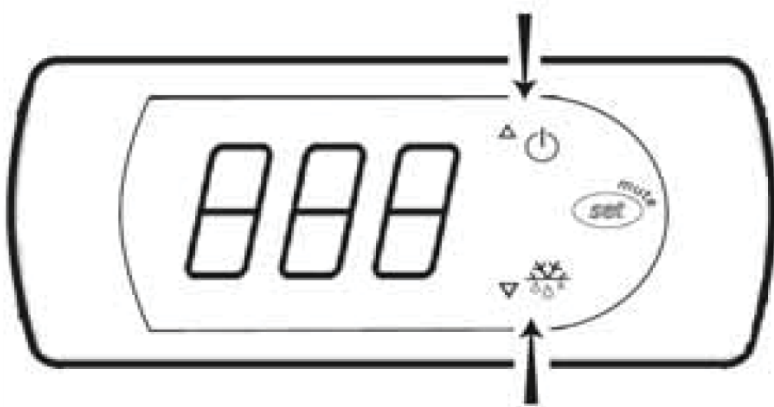
Operation instruction of temperature controller

Setting the set point (desired temperature)

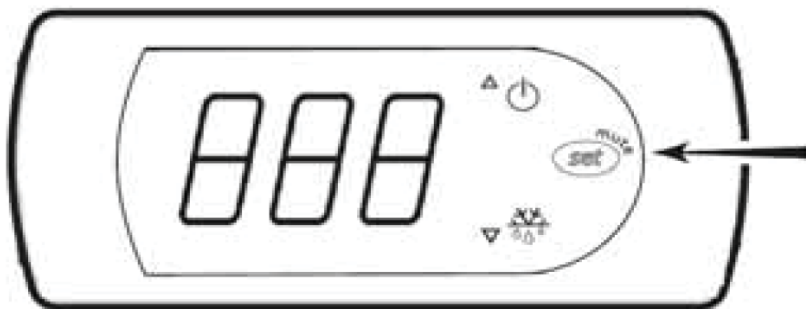
- Press SET for 1s, the set value will start flashing after a few moments;



- Increase or decrease the value using UP or DOWN;

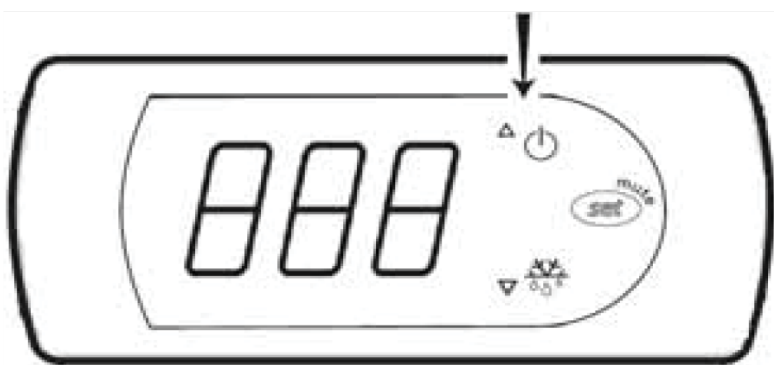


- Press SET to confirm the new value.



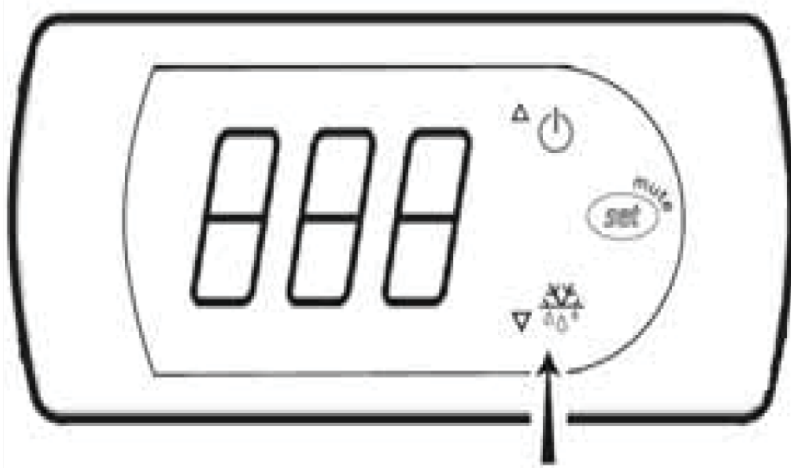
Switching the device ON/OFF

Press UP for more than 3s. The control and defrost algorithms are now disabled and the instrument displays the message "OFF" alternating with the temperature read by the set probe.



Manual defrost (fridge)

- Press for DOWN more than 3s(the defrost starts only the temperature conditions are valid).



Defrosting (Freezer)

Remove the products to another freezer.

Switch off, Let the ice melt with door open. Dry the water from the bottom of the freezer.

TROUBLESHOOTING

NO PROBLEM POSSIBLE CAUSE SUGGESTION SOLUTION

NO	PROBLEM	POSSIBLE CAUSE	SUGGESTION SOLUTION
1	BLACK SCREEN	PLUG IS NOT SET WELL	SET THE PLUG WELL
2	THE CABINET IS ELECTRIC	GROUND PRONG IS UNNORMAL	CHECK THE PLUG AND THE GROUND PRONG, AND SET THEM WELL

DOOR HINGE (DOOR EXCHANGE)

DOOR HINGE:IF YOU WANT THE DOOR TO BE OPENED FROM THE OPPOSITE SIDE

- TAKE THE DOOR OFF
- INSTALL THE OPPOSITE UPPER HINGE
- MOVE THE BOTTOM HINGE TO THE OPPOSITE SIDE,MOVE THE SPRING HINGE FROM THE BOTTOM SIDE OF THE DOOR TO THE UPPER SIDE
- INSTALL THE DOOR.