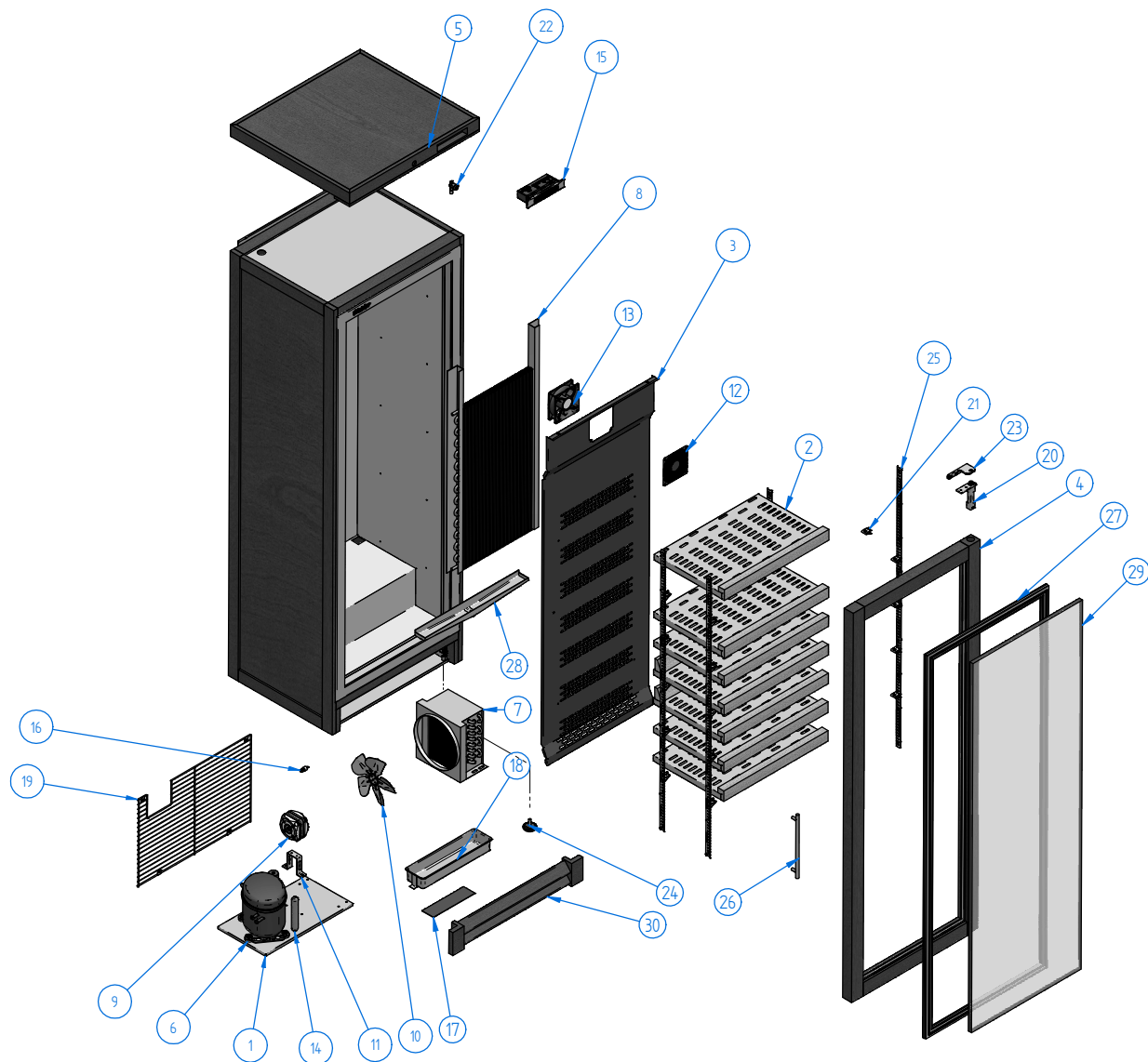


N°	Description	Qty
1	MOUNTING PLATE FOR COND UNIT, AN502MX	1
2	EVV BOTTLE GRILL	7
3	AIR DISTRIBUTION PLATE, 530	1
4	DOOR FRAME, EVV	1
5	CONTROL PANEL, EVV100	1
6	COMPRESSOR 1/5 R134a (230V / 50Hz)	1
7	CONDENSER 8x4 160mm AN502MX	1
8	2014 EV530 EVAPORATOR	1
9	FAN MOTOR, 5w, D=200mm, h=75mm	1
10	FAN BLADE, 7-7/8"	1
11	FAN HOLDER, 2-7/8"	1
12	FAN GRID EBM LZ30-5 "	1
13	AXIAL FAN MOTOR	1
14	FILTER DRIER, 30 GR. 1/4"x1/4" R134a	1

N°	Description	Qty
15	ELECTRONIC CONTROLLER, 3 RELAYS	1
16	OBUs R134a VALVE 1 / 4 WELD	1
17	CONDENSATE HEATER, 100w	1
18	DEFROST WATER TRAY	1
19	BACK GRID, AN 500	1
20	DOOR HINGE, SELF-CLOSE DEVICE	1
21	SHELF BRACKET	20
22	DOOR LOCK, MOD. AC1368	1
23	HINGE SUPPORT, LEFT	1
24	LEG M10	1
25	WALL RAIL	4
26	LID HANDLE	1
27	DOOR GASKET, EVV	1
28	DRIP WATER TRAY, 21-1/4"x2"	1

N°	Description	Qty
29	DOUBLE-PANED GLASS, 4-8-4, TEMP, LOW-E	1
30	FRONT GRILL, EVV100	1



Nº	Título	Qty
1	BANCADA AN 500 MIXTO	1
2	PARRILLA EVV	7
3	PROTECTOR EVAPORADOR 530	1
4	MARCO PUERTA, EVV	1
5	CUADRO DE MANDOS, EVV100	1
6	COMPRESOR 1/5 R-134	1
7	CONDENSADOR 8x4 LA.160 AN502MX	1
8	EVAPORADOR EV530 GAMA 2014	1
9	MOTOVENT. 5w.IH-75 D-200	1
10	PALA 200 mm 28°	1
11	PIE MEDIANO (72 mm)	1
12	REJILLA MOTOVENT. EBM LZ30-5	1
13	MOTOV.AXIAL 120x120	1
14	FILTRO 30 GR. 1/4X1/4 R-134a	1
15	MICROPROC. 3 RELE	1

Nº	Título	Qty
16	VALVULA OBUS R134a 1/4 SOLDAR	1
17	PLACA RESIT. 100 w TERMOST.	1
18	BANDEJA EVAPORATIVA	1
19	REJILLA INF. U. COND. AN 500	1
20	BISAGRA PUERTA	1
21	SOPORTE CREMALLERA	20
22	CERRADURA REF. AC1368	1
23	SOPORTE BISAGRAS IZQUIERDO	1
24	REGULADOR M10 (BASE M12)	1
25	CREMALLERA INOX	4
26	TIRADOR EVV REF.MB09026/C	1
27	BURLETE, EVV100/200	1
28	BANDEJA DESAGÜE EVAP 540X50mm	1
29	CRISTAL EVV 4-8-4, TEMPL. BAJO-EMISIV	1
30	REJILLA FRONTAL, EVV	1