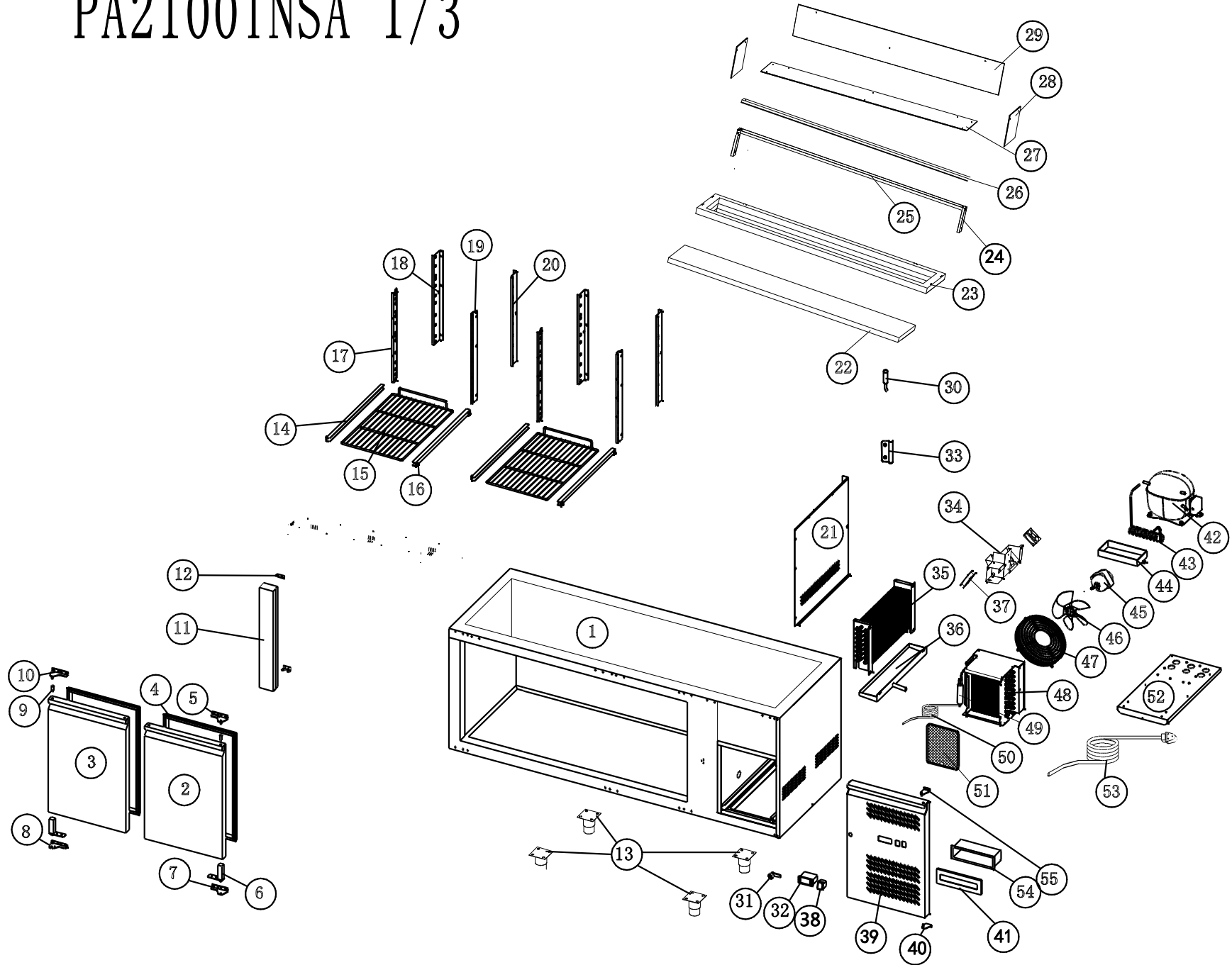


PA2100TNSA 1/3



DTS1500NOD Exploded View Details

NO.	CODE	NAME	QTY
1	SKC-0-000-7948-0	BODY	1
2	SKC-0-000-0046-0	DOOR/RIGHT	1
3	SKC-0-000-0044-0	DOOR/LEFT	1
4	SKC-2-110-0043-0	GASKET	2
5	SKC-2-001-0531-0	UP HINGE/RIGHT	1
6	SKC-2-170-0210-0	DOOR SPRING	2
7	SKC-2-001-6070-0	Down HINGE/RIGHT	1
8	SKC-2-001-6068-0	Down HINGE/LEFT	1
9	SKC-2-110-0354-0	HINGE AXIE	2
10	SKC-2-001-0530-0	UP HINGE/LEFT	1
11	SKC-0-000-0028-0	FIXED FRONT PANEL	1
12	SKC-2-003-3005-0	mullion fixing block	2
13	SKC-2-003-3005-0	FEET	4
14	SKC-2-001-0074-0	SET GUIDE/LEFT	2
15	SKC-2-120-0009-0	SHELF	2
16	SKC-2-001-0075-0	SET GUIDE/RIGHT	2
17	SKC-2-001-0009-0	FRONT SUPPORT/LEFT	2
18	SKC-2-003-1078-0	BACK SUPPORT/LEFT	2
19	SKC-2-001-0010-0	FRONT SUPPORT/RIGHT	2
20	SKC-2-003-1080-0	BACK SUPPORT/RITH	2
21	SKC-2-003-1290-0	EVAPORATOR COVER	1
22	SKC-2-170-0611-0	MARBLE	1
23	SKC-0-000-7951-0		1
24	SKC-2-003-8123-0	LIGHT SUPPORT	2
25	SKC-2-003-8190-0	Lampshade slot	1
26	SKC-4-050-0028-0	LED LIGHT	1
27	SKC-2-150-0184-0	TOP GLASS	1
28	SKC-2-150-0162-0	SIDE GLASS	2
29	SKC-2-150-1885-0	BACK GLASS	1
30	SKC-4-030-0006-0	SENSOR	2
31	SKC-2-170-0081-0	LOCK	1
32	SKC-4-030-0002-0	thermostat	1
33	SKC-2-002-0036-0	SENSOR PLATE	1
34	SKC-2-003-8132-0	FAN SUPPORT	1
35	SKC-2-101-0007-0	EVAPORATOR	1
36	SKC-0-000-0029-0	EVAPORATOR WATER	1
37	SKC-4-001-0006-0	EVAPORATOR FAN	2
38	SKC-4-050-0001-0	MAIN SWITCH	1
39	SKC-2-003-1238-0	FRONG PANEL	1
40	SKC-2-001-0497-0	FRONT PANEL DOWN HINGE	1
41	SKC-2-110-0021-0	CLIP	1
42	SKC-4-040-0073-0	COMPRESSOR	1
43	SKC-2-104-0216-0	HOT PIPE	1
44	SKC-0-000-0032-0	WATER PAN	1
45	SKC-4-001-0005-0	CONDENSOR FAN	1
46	SKC-2-105-0003-0	CONDENSOR FAN BLADE	1
47	SKC-2-120-0041-0	BASKET GUARD GRILLS	1
48	SKC-2-102-0048-0	CONDENSOR	1

49	SKC-2-103-0001-0	FILTER DRIER	1
50	SKC-2-104-0026-0	CAPILLARY	1
51	SKC-2-120-0050-0	FILTER	1
52	SKC-2-001-0131-0	UNIT BOARD	1
53	SKC-4-010-0080-0	POWER CORE	1
54	SKC-2-110-0010-0	WATER BOX PORTECTOR	1
55	SKC-2-001-0496-0	FRONT PANEL UP HINGE	1