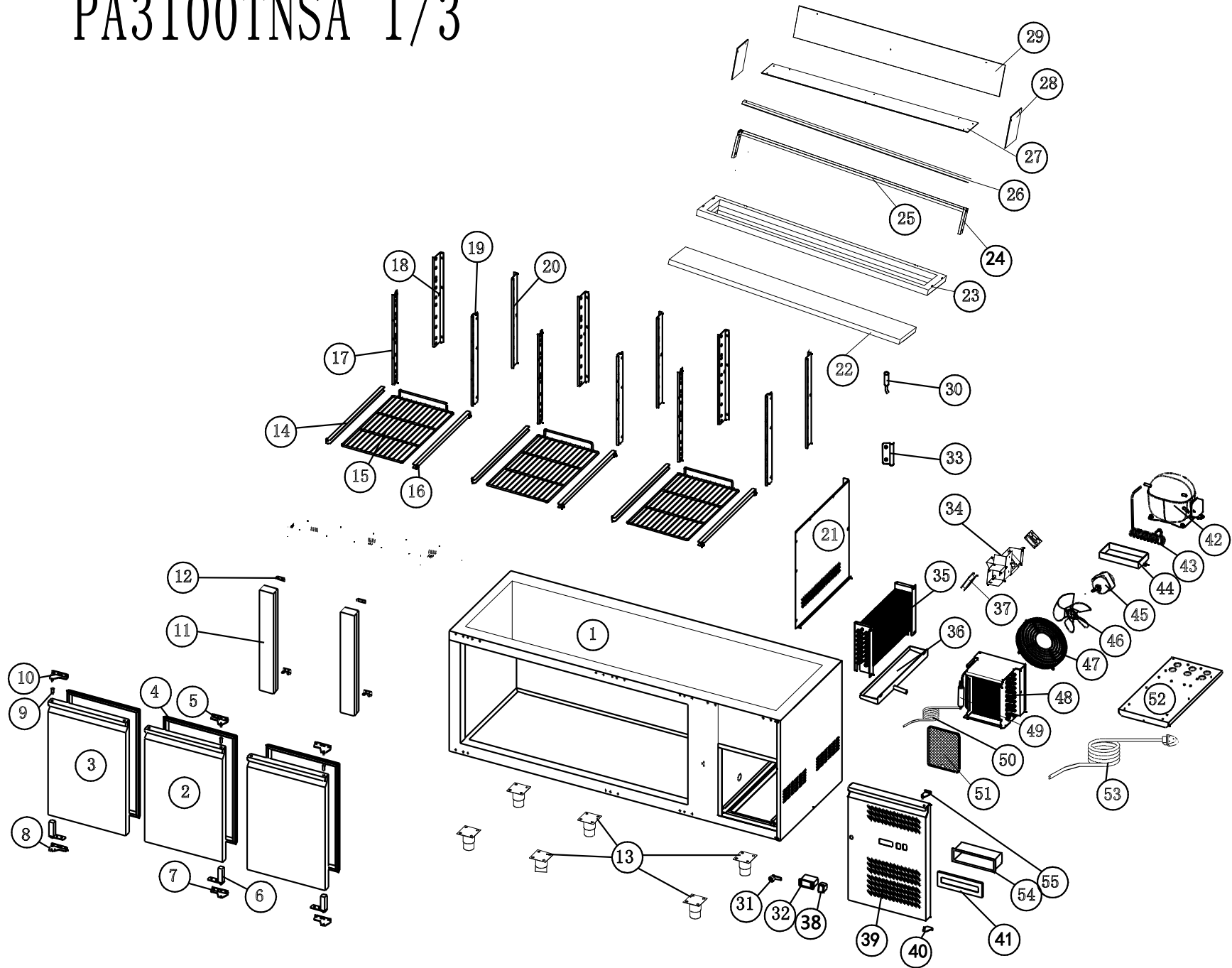


PA3100TNSA 1/3



DTS2000NOD Exploded View Details

NO.	CODE	NAME	QTY	MATERIAL	REMARK
1	SKC-0-000-7942-0	BODY	1		
2	SKC-0-000-0026-0	DOOR/RIGHT	2		
3	SKC-0-000-0025-0	DOOR/LEFT	1		
4	SKC-2-110-0043-0	GASKET	3		
5	SKC-2-001-0531-0	UP HINGE/RIGHT	2		
6	SKC-2-170-0210-0	DOOR SPRING	3		
7	SKC-2-001-6070-0	Down HINGE/RIGHT	2		
8	SKC-2-001-6068-0	Down HINGE/LEFT	1		
9	SKC-2-110-0354-0	HINGE AXIE	3		
10	SKC-2-001-0530-0	UP HINGE/LEFT	1		
11	SKC-0-000-0028-0	FIXED FRONT PANEL	2		
12	SKC-2-003-0032-0	mullion fixing block	4		
13	SKC-2-140-0001-0	FEET	6		
14	SKC-2-001-0074-0	SET GUIDE/LEFT	3		
15	SKC-2-120-0009-0	SHELF	3		
16	SKC-2-001-0075-0	SET GUIDE/RIGHT	3		
17	SKC-2-001-0009-0	FRONT SUPPORT/LEFT	3		
18	SKC-2-003-1078-0	BACK SUPPORT/LEFT	3		
19	SKC-2-001-0010-0	FRONT SUPPORT/RIGHT	3		
20	SKC-2-003-1080-0	BACK SUPPORT/RITH	3		
21	SKC-2-003-1287-0	EVAPORATOR COVER	1		
22	SKC-2-170-0610-0	MARBLE	1		
23	SKC-0-000-7946-0		1		
24	SKC-2-003-8123-0	LIGHT SUPPORT	2		
25	SKC-2-003-8124-0	Lampshade slot	1		
26	SKC-4-050-0025-0	LED LIGHT	1		
27	SKC-2-150-0163-0	TOP GLASS	1		
28	SKC-2-150-0162-0	SIDE GLASS	2		
29	SKC-2-150-0164-0	BACK GLASS	1		
30	SKC-4-030-0006-0	SENSOR	2		
31	SKC-2-170-0081-0	LOCK	1		

32	SKC-4-030-0002-0	thermostat	1		
33	SKC-2-002-0036-0	SENSOR PLATE	1		
34	SKC-2-003-8132-0	FAN SUPPORT	1		
35	SKC-2-101-0007-0	EVAPORATOR	1		
36	SKC-0-000-0029-0	EVAPORATOR WATER	1		
37	SKC-4-001-0006-0	EVAPORATOR FAN	2		
38	SKC-4-050-0001-0	MAIN SWITCH	1		
39	SKC-2-003-1238-0	FRONG PANEL	1		
40	SKC-2-001-0497-0	FRONT PANEL DOWN HINGE	1		
41	SKC-2-110-0021-0	CLIP	1		
42	SKC-4-040-0073-0	COMPRESSOR	1		
43	SKC-2-104-0217-0	HOT PIPE	1		
44	SKC-0-000-0032-0	WATER PAN	1		
45	SKC-4-001-0004-0	CONDENSOR FAN	1		
46	SKC-2-105-0001-0	CONDENSOR FAN BLADE	1		
47	SKC-2-105-0001-0	BASKET GUARD GRILLS	1		
48	SKC-2-102-0010-0	CONDENSOR	1		
49	SKC-2-103-0001-0	FILTER DRIER	1		
50	SKC-2-104-0017-0	CAPILLARY	1		
51	SKC-2-120-0046-0	FILTER	1		
52	SKC-2-001-0131-0	UNIT BOARD	1		
53	SKC-4-010-0080-0	POWER CORE	1		
54	SKC-2-110-0010-0	WATER BOX PORTECTOR	1		
55	SKC-2-001-0496-0	FRONT PANEL UP HINGE	1		