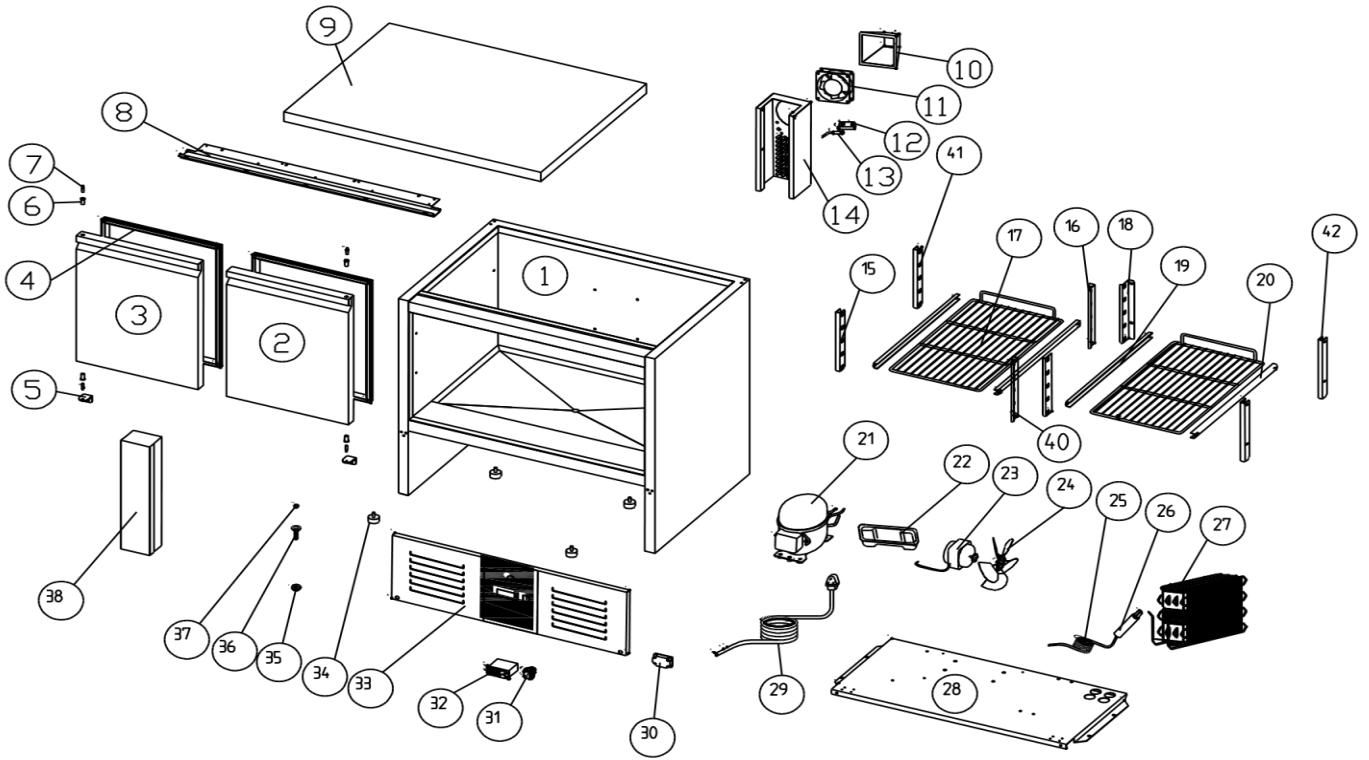


S901



SAG97END

| NO. | | NAME | |
|-----|---------|--------------------|------|
| 1 | S901-01 | BODY | 1PCS |
| 2 | S901-02 | DOOR/LEFT | 1PCS |
| 3 | S901-03 | DOOR/RIGHT | 1PCS |
| 4 | S901-04 | GASKET | 2PCS |
| 5 | S901-05 | UP HINGE/RIGHT | 2PCS |
| 6 | S901-06 | BUSHING | 4PCS |
| 7 | S901-07 | HINGE AXIS | 4PCS |
| 8 | S901-08 | up hinge board | 1PCS |
| 9 | S901-09 | TOP | 1PCS |
| 10 | S901-10 | airflow conduct | 1PCS |
| 11 | S901-11 | EVAPORATOR FAN | 1PCS |
| 12 | S901-12 | SENSOR FIXED CLIP | 1PCS |
| 13 | S901-13 | PROBE PADDING | 1PCS |
| 14 | S901-14 | fan seat | 1PCS |
| 15 | S901-15 | FRONT SUPPORT/LEFT | 4PCS |

| | | | | |
|----|---------|---------------------|------|--|
| 16 | S901-16 | BACK SUPPORT/LEFT | 2PCS | |
| 17 | S901-17 | SHELF | 2PCS | |
| 18 | S901-18 | BACK SUPPORT/RIGHT | 2PCS | |
| 19 | S901-19 | SET GUIDE/LEFT | 2PCS | |
| 20 | S901-20 | SET GUIDE/RIGHT | 2PCS | |
| 21 | S901-21 | COMPRESSOR | 1PCS | |
| 22 | S901-22 | CONDENSOR FAN | 1PCS | |
| 23 | S901-23 | CONDENSOR FAN BLADE | 1PCS | |
| 24 | S901-24 | BASKET GUARD GRILLS | 1PCS | |
| 25 | S901-25 | CAPILLARY | 1PCS | |
| 26 | S901-26 | FILTER DRIER | 1PCS | |
| 27 | S901-27 | CONDENSOR | 1PCS | |
| 28 | S901-28 | UNIT BOARD | 1PCS | |
| 29 | S901-29 | PLUG | 1PCS | |
| 30 | S901-30 | JUNCTION BOX | 1PCS | |
| 31 | S901-31 | MAIN SWITCH | 1PCS | |
| 32 | S901-32 | THERMOSTAT | 1PCS | |
| 33 | S901-33 | FRONT PANEL | 1PCS | |
| 34 | S901-34 | FEET | 4PCS | |
| 35 | S901-35 | drain pipe nut | 1PCS | |
| 36 | S901-36 | drain pipe | 1PCS | |
| 37 | S901-37 | drain pipe cover | 1PCS | |
| 38 | S901-38 | mullion | 1PCS | |