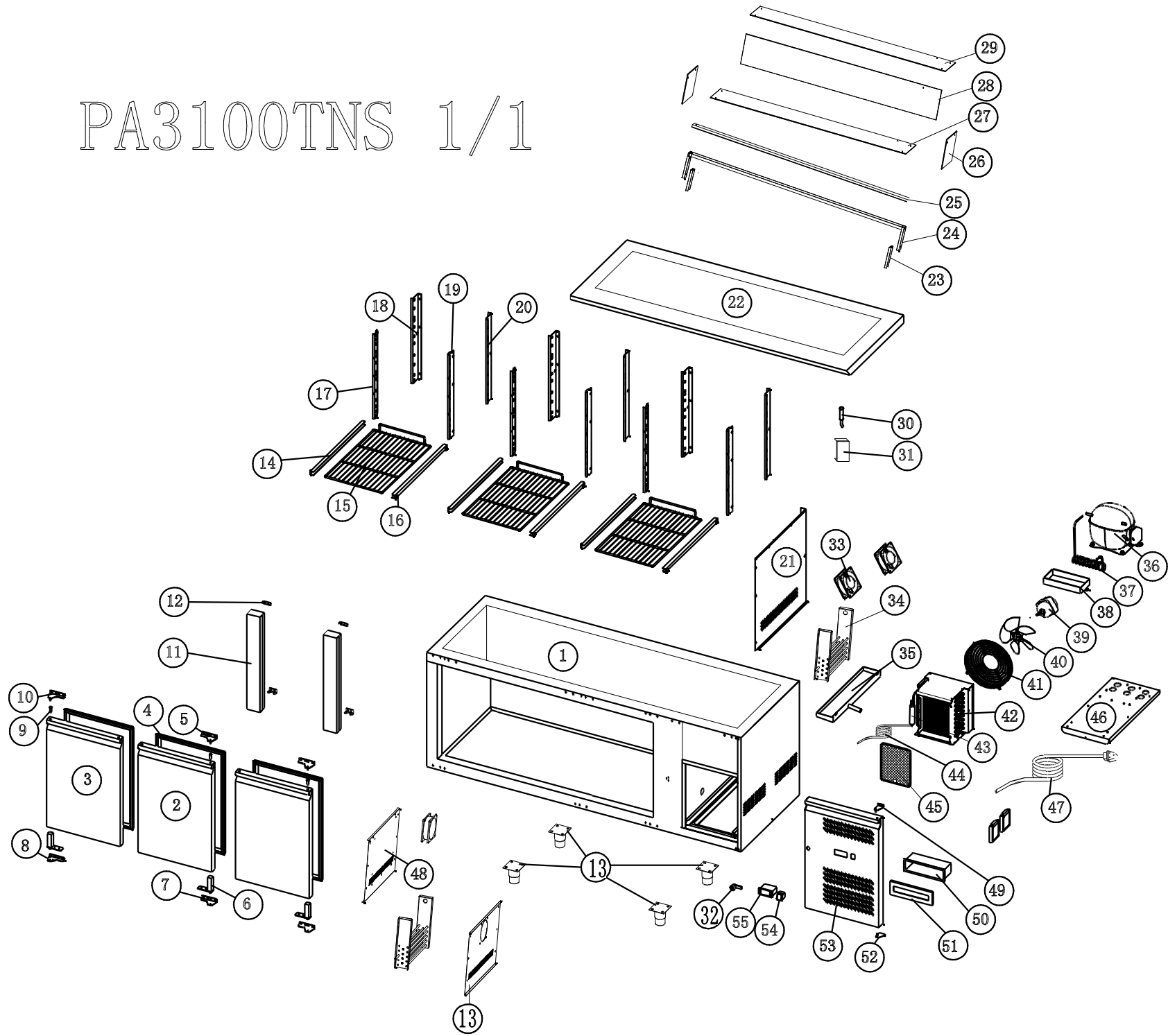


# PA3100TNS 1/1



## STS2000NOD Exploded View details

NO.		NAME	QTY
1	SKC-0-000-7942-0	BODY	1
2	SKC-0-000-0026-0	DOOR/RIGHT	2
3	SKC-0-000-0025-0	DOOR/LEFT	1
4	SKC-2-110-0043-0	GASKET	3
5	SKC-2-001-0531-0	UP HINGE/RIGHT	3
6	SKC-2-170-0210-0	DOOR SPRING	3
7	SKC-2-001-6070-0	Down HINGE/RIGHT	3
8	SKC-2-001-6068-0	Down HINGE/LEFT	1
9	SKC-2-110-0354-0	HINGE AXIE	3
10	SKC-2-001-0530-0	UP HINGE/LEFT	1
11	SKC-0-000-0028-0	FIXED FRONT PANEL	2
12	SKC-2-003-0032-0	mullion fixing block	4
13	SKC-2-140-0001-0	FEET	6
14	SKC-2-001-0074-0	SET GUIDE/LEFT	3
15	SKC-2-120-0009-0	SHELF	3
16	SKC-2-001-0075-0	SET GUIDE/RIGHT	3
17	SKC-2-001-0009-0	FRONT SUPPORT/LEFT	3
18	SKC-2-003-1078-0	BACK SUPPORT/LEFT	3
19	SKC-2-001-0010-0	FRONT SUPPORT/RIGHT	3
20	SKC-2-003-1080-0	BACK SUPPORT/RITH	3
21	SKC-2-003-1290-0	EVAPORATOR COVER	1
22	SKC-2-170-0612-0	MARBLE	1
23	SKC-2-003-0677-0		2
24	SKC-2-003-0885-0	Lampshade slot	1
25	SKC-4-050-0025-0	LED LIGHT	1
26	SKC-2-150-1916-0	TOP GLASS	1
27	SKC-2-150-1915-0	SIDE GLASS	2
28	SKC-2-150-1917-0	BACK GLASS	1
29	SKC-2-150-1918-0		1
30	SKC-4-030-0006-0		2
31	SKC-2-002-0036-0	SENSOR PLATE	1
32	SKC-2-170-0081-0	LOCK	1
33	SKC-4-001-0006-0	EVAPORATOR FAN	3
34	SKC-2-101-0167-0	EVAPORATOR	2
35	SKC-2-003-8213-0	EVAPORATOR WATER	1
36	SKC-4-040-0073-0	COMPRESSOR	1
37	SKC-2-104-0216-0	HOT PIPE	1
38	SKC-2-110-0492-0	WATER PAN	1
39	SKC-4-001-0004-0	CONDENSOR FAN	1
40	SKC-2-105-0001-0	CONDENSOR FAN BLADE	1
41	SKC-2-120-0041-0	BASKET GUARD GRILLS	1
42	SKC-2-102-0010-0	CONDENSOR	1
43	SKC-2-103-0001-0	FILTER DRIER	1
44	SKC-2-104-0017-0	CAPILLARY	1
45	SKC-2-120-0046-0	FILTER	1
46	SKC-2-001-0131-0	UNIT BOARD	1
47	SKC-4-010-0080-0	POWER CORE	1
48	SKC-2-003-8351-0		

49	SKC-2-001-0496-0	FRONT PANEL UP HINGE	1
50	SKC-2-110-0010-0	WATER BOX PORTECTOR	1
51	SKC-2-110-0021-0	CLIP	1
52	SKC-2-001-0497-0	FRONT PANEL DOWN HINGE	1
53	SKC-2-003-1238-0	FRONG PANEL	1
54	SKC-4-050-0001-0	MAIN SWITCH	1
55	SKC-4-030-0002-0	thermostat	1
56	SKC-2-003-1290-0		1