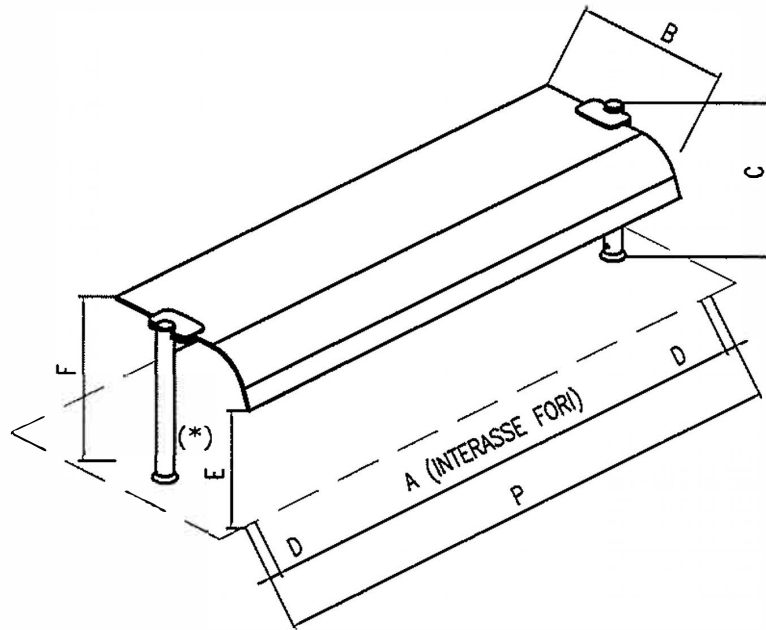


1 LEVEL CURVE GLASS SHELF



(*) Hole to fixing the post on the top $\varnothing 9$ per screw M6 x 80

MODEL	P	A	B	C	D	E	F
EA8	795	740	415	385	27.5	253	372
EA11	1120	1065	415	385	27.5	253	372
EA15	1445	1390	415	385	27.5	253	372
EA18	1770	1715	415	385	27.5	253	372
EA21	2095	2040	415	385	27.5	253	372

Main Features :

Satin stainless steel tube $\varnothing 40$.
Curve tempered glass, thickness 6mm.

Accessories

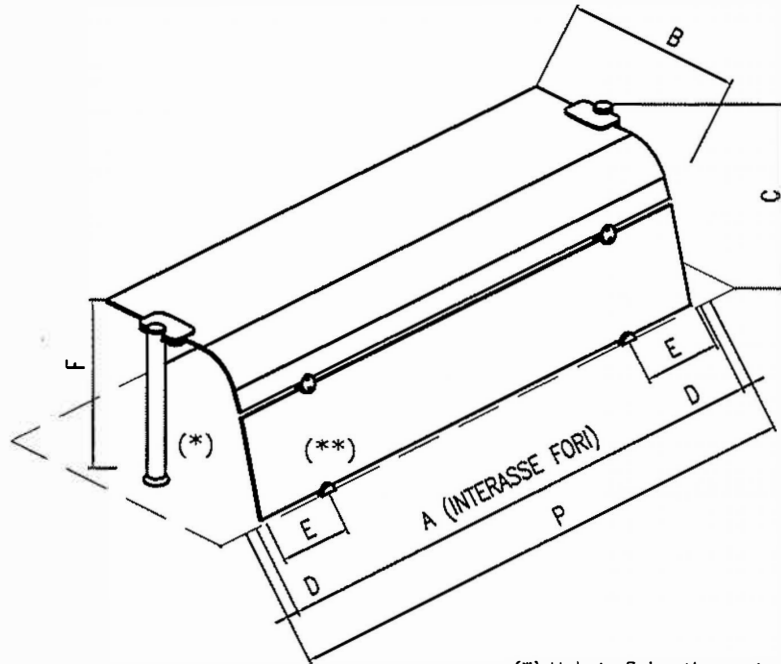
- Lighting
- Lighting with heating

Packaging details :

(Only for shelves separate provided without furniture)

MODEL	PACKAGING SIZE :			VOL.	GROSS WEIGHT
EA8	860	480	270	0.11 m ³	
EA11	1260	480	270	0.16 m ³	
EA15	1660	480	270	0.21 m ³	
EA18	2060	480	270	0.26 m ³	
EA21	2360	480	270	0.30 m ³	

1 LEVEL WITH FRONTAL CURVE GLASS SHELF



(*) Hole to fixing the post on the top $\varnothing 9$ per screw M8 x 80
 (***) Hole to fixing the support to the top per screw M3

MODEL	P	A	B	C	D	E	F
FA8	795	740	480	385	27.5	162	372
FA11	1120	1065	480	385	27.5	162	372
FA15	1445	1390	480	385	27.5	262	372
FA18	1770	1715	480	385	27.5	262	372
FA21	2095	2040	480	385	27.5	262	372

Main Features :

Satin stainless steel tube $\varnothing 40$.
 Curve and straight tempered glass, thickness 6mm.

Accessories

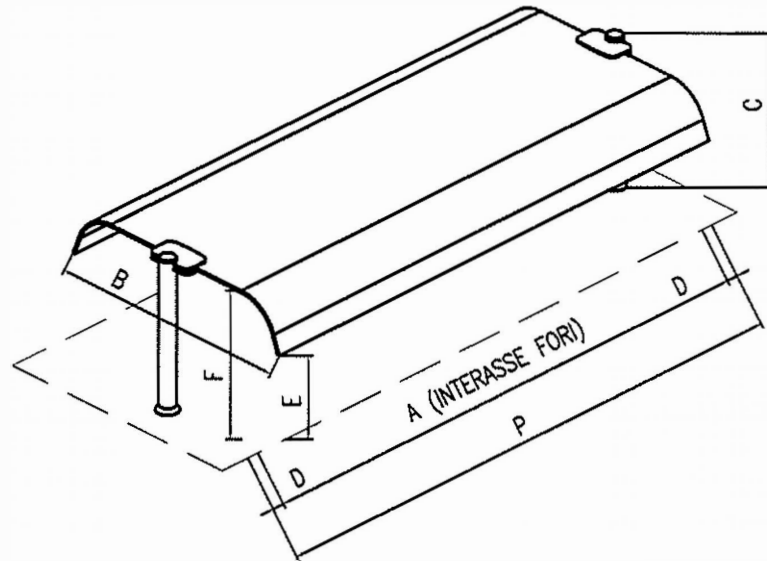
- Lighting
- Lighting with heating

Packaging Details :

(Only for shelves separate provided without furniture)

MODEL	PACKAGING SIZE			VOL.	GROSS WEIGHT
FA8	860	480	270	0.11 m ³	
FA11	1260	480	270	0.16 m ³	
FA15	1660	480	270	0.21 m ³	
FA18N	2060	480	270	0.26 m ³	
FA21	2360	480	270	0.30 m ³	

1 LEVEL BOTH SIDES CURVE GLASS SHELF



(*) Hole to fixing the post on the top $\varnothing 9$ per screw M6 x 80

MODEL	P	A	B	C	D	E	F
DA8	795	740	640	385	27.5	253	372
DA11	1120	1065	640	385	27.5	253	372
DA15	1445	1390	640	385	27.5	253	372
DA18	1770	1715	640	385	27.5	253	372
DA21	2095	2040	640	385	27.5	253	372

Main Features :

Satin stainless steel tube $\varnothing 40$.
Curve tempered glass, thickness 6mm.

Accessories

- Lighting
- Lighting with heating

Packaging Details :

(Only for shelves separate provided without furniture)

MODEL	PACKAGING SIZE			VOL.	GROSS WEIGHT
DA8	860	680	270	0.15 m ³	
DA11	1260	680	270	0.23 m ³	
DA15	1660	680	270	0.30 m ³	
DA18	2060	680	270	0.38 m ³	
DA21	2360	680	270	0.43 m ³	