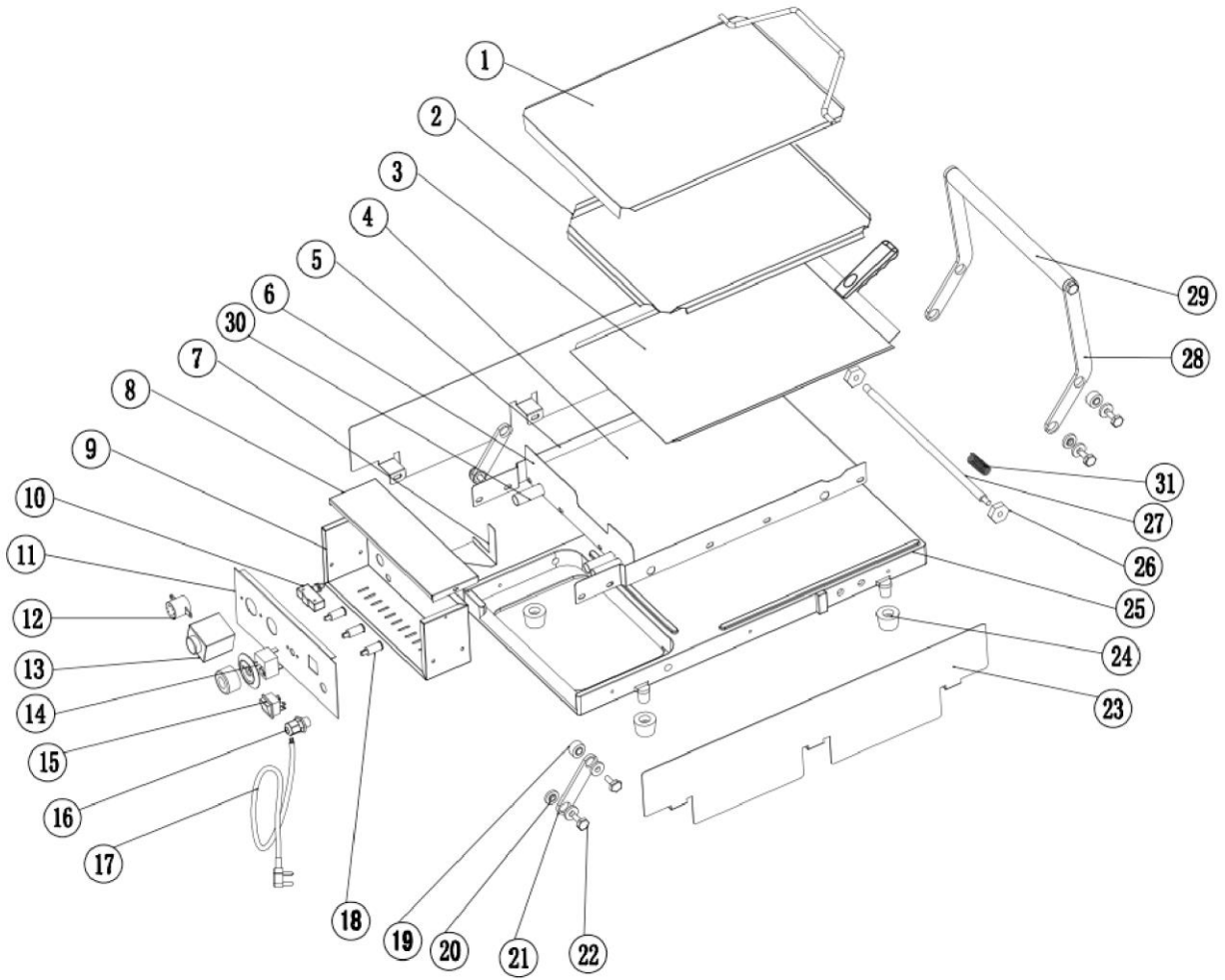


# HMEJ642

No.	Material no	Spare parts name	
1		Lid	
2		Pot	
3	3080945	Shovel	
4	3050401	Heating plate	
5		Inside left and right board	
6		Front side board	
7		Micro switch board	
8		Uper lid of elextric box	
9		Electric box surrounding board	
10		Micro switch	
11		Electric box board	
12	3040055	Buzzer	
13	3040122	Time relay	
14	3020053	knob	
	3020037	negative	
	3020009	Thermostat	
15	3040123	Switch	
16	3040030	Line clamp	
17	3030009	Wire	
18	3040029	Light (Red)	
	3040027	Light (Green)	
	3040028	Light (Orange)	
19	3080946	Aluminum pad 1	
20	3080947	Aluminum pad 2	
21	3080948	Connection piece	

22	3080949	Screw	
23		Ouside left and right board	
24	3040041	Foot	
25		Base	
26	3080950	Limit block	
27	3080951	Limit block shaft	
28	3080952	Active stent	
29	3080953	Tube	
30		Line tube	
31	3080956	Spring	



ggmgastro  
INTERNATIONAL