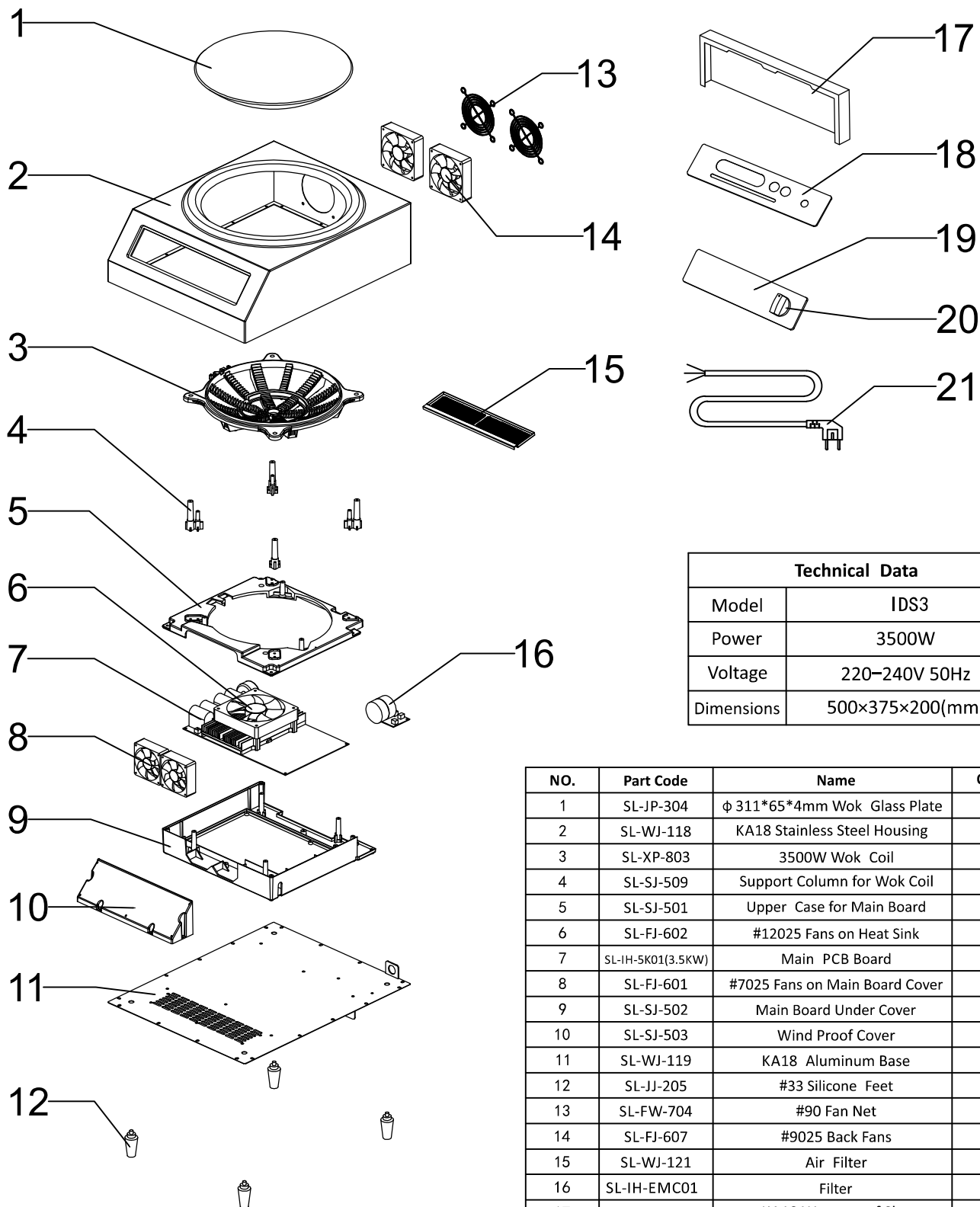


Induction Cooker Diagram-IDS3



Technical Data	
Model	IDS3
Power	3500W
Voltage	220~240V 50Hz
Dimensions	500×375×200(mm)

NO.	Part Code	Name	Qty
1	SL-JP-304	φ 311*65*4mm Wok Glass Plate	1
2	SL-WJ-118	KA18 Stainless Steel Housing	1
3	SL-XP-803	3500W Wok Coil	1
4	SL-SJ-509	Support Column for Wok Coil	4
5	SL-SJ-501	Upper Case for Main Board	1
6	SL-FJ-602	#12025 Fans on Heat Sink	1
7	SL-IH-5K01(3.5KW)	Main PCB Board	1
8	SL-FJ-601	#7025 Fans on Main Board Cover	2
9	SL-SJ-502	Main Board Under Cover	1
10	SL-SJ-503	Wind Proof Cover	1
11	SL-WJ-119	KA18 Aluminum Base	1
12	SL-JJ-205	#33 Silicone Feet	4
13	SL-FW-704	#90 Fan Net	2
14	SL-FJ-607	#9025 Back Fans	2
15	SL-WJ-121	Air Filter	1
16	SL-IH-EMC01	Filter	1
17	SL-WJ-120	KA18 Waterproof Slot	1
18	SL-IH-NJ31GS	PCB Control Board	1
19	SL-BL-406	Glass Control Panel	1
20	SL-WJ-117	Alloy Knob	1
21	SL-DY-903	3*1.5mm Power Line	1