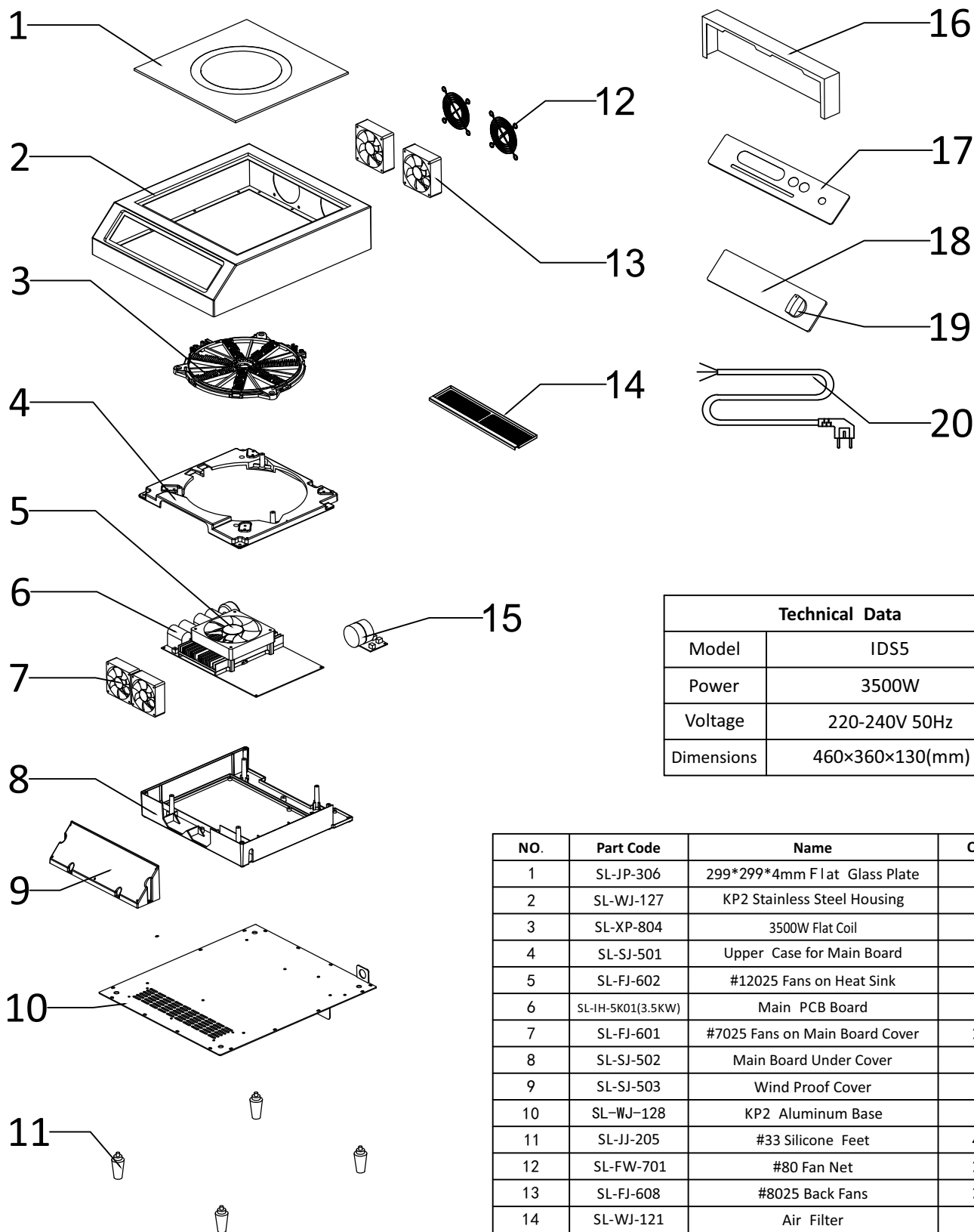


# Induction Cooker Diagram-IDS5



Technical Data	
Model	IDS5
Power	3500W
Voltage	220-240V 50Hz
Dimensions	460×360×130(mm)

NO.	Part Code	Name	Qty
1	SL-JP-306	299*299*4mm Flat Glass Plate	1
2	SL-WJ-127	KP2 Stainless Steel Housing	1
3	SL-XP-804	3500W Flat Coil	1
4	SL-SJ-501	Upper Case for Main Board	1
5	SL-FJ-602	#12025 Fans on Heat Sink	1
6	SL-IH-5K01(3.5KW)	Main PCB Board	1
7	SL-FJ-601	#7025 Fans on Main Board Cover	2
8	SL-SJ-502	Main Board Under Cover	1
9	SL-SJ-503	Wind Proof Cover	1
10	SL-WJ-128	KP2 Aluminum Base	1
11	SL-JJ-205	#33 Silicone Feet	4
12	SL-FW-701	#80 Fan Net	2
13	SL-FJ-608	#8025 Back Fans	2
14	SL-WJ-121	Air Filter	1
15	SL-IH-EMC01	Filter	1
16	SL-WJ-129	KP2 Waterproof Slot	1
17	SL-IH-NJ29	PCB Control Board	1
18	SL-BL-406	Glass Control Panel	1
19	SL-WJ-117	Alloy Knob	1
20	SL-DY-903	3*1.5mm Power Line	1