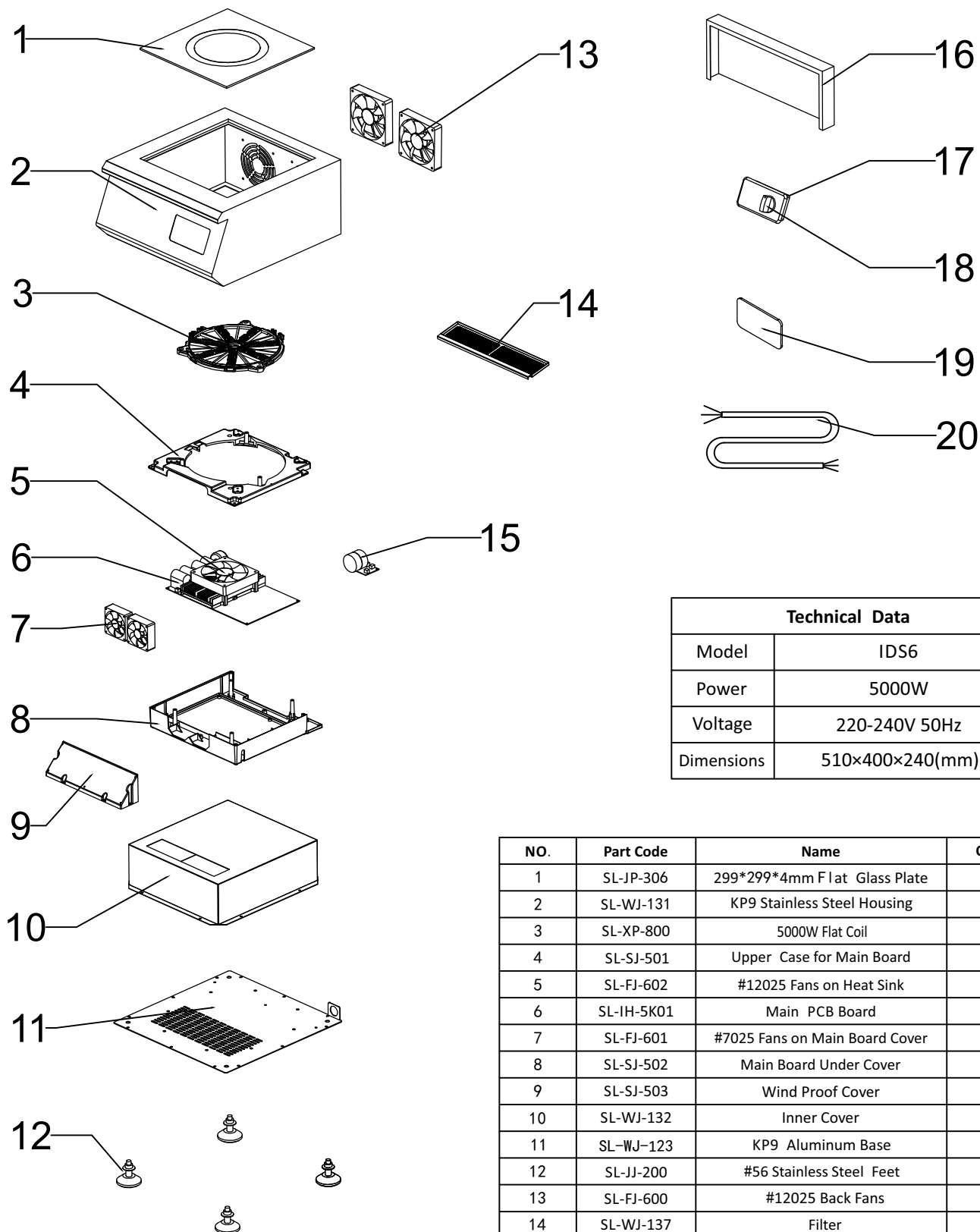


Induction Cooker Diagram-IDS6



Technical Data	
Model	IDS6
Power	5000W
Voltage	220-240V 50Hz
Dimensions	510×400×240(mm)

NO.	Part Code	Name	Qty
1	SL-JP-306	299*299*4mm Flat Glass Plate	1
2	SL-WJ-131	KP9 Stainless Steel Housing	1
3	SL-XP-800	5000W Flat Coil	1
4	SL-SJ-501	Upper Case for Main Board	1
5	SL-FJ-602	#12025 Fans on Heat Sink	1
6	SL-IH-5K01	Main PCB Board	1
7	SL-FJ-601	#7025 Fans on Main Board Cover	2
8	SL-SJ-502	Main Board Under Cover	1
9	SL-SJ-503	Wind Proof Cover	1
10	SL-WJ-132	Inner Cover	1
11	SL-WJ-123	KP9 Aluminum Base	1
12	SL-JJ-200	#56 Stainless Steel Feet	4
13	SL-FJ-600	#12025 Back Fans	2
14	SL-WJ-137	Filter	1
15	SL-IH-EMC01	Air Filter	1
16	SL-WJ-134	KP9 Waterproof Slot	1
17	SL-SJ-510	Display Control Box	1
18	SL-WJ-137	Alloy Knob	1
19	SL-MT-A02	Plastic Cover	1
20	SL-DY-901	3*2.5mm Power Line	1