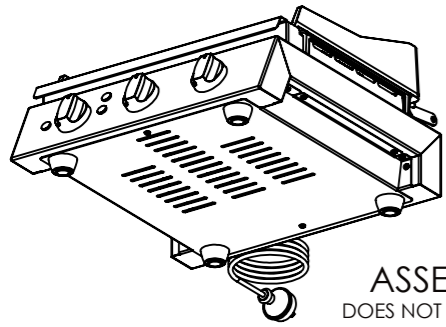
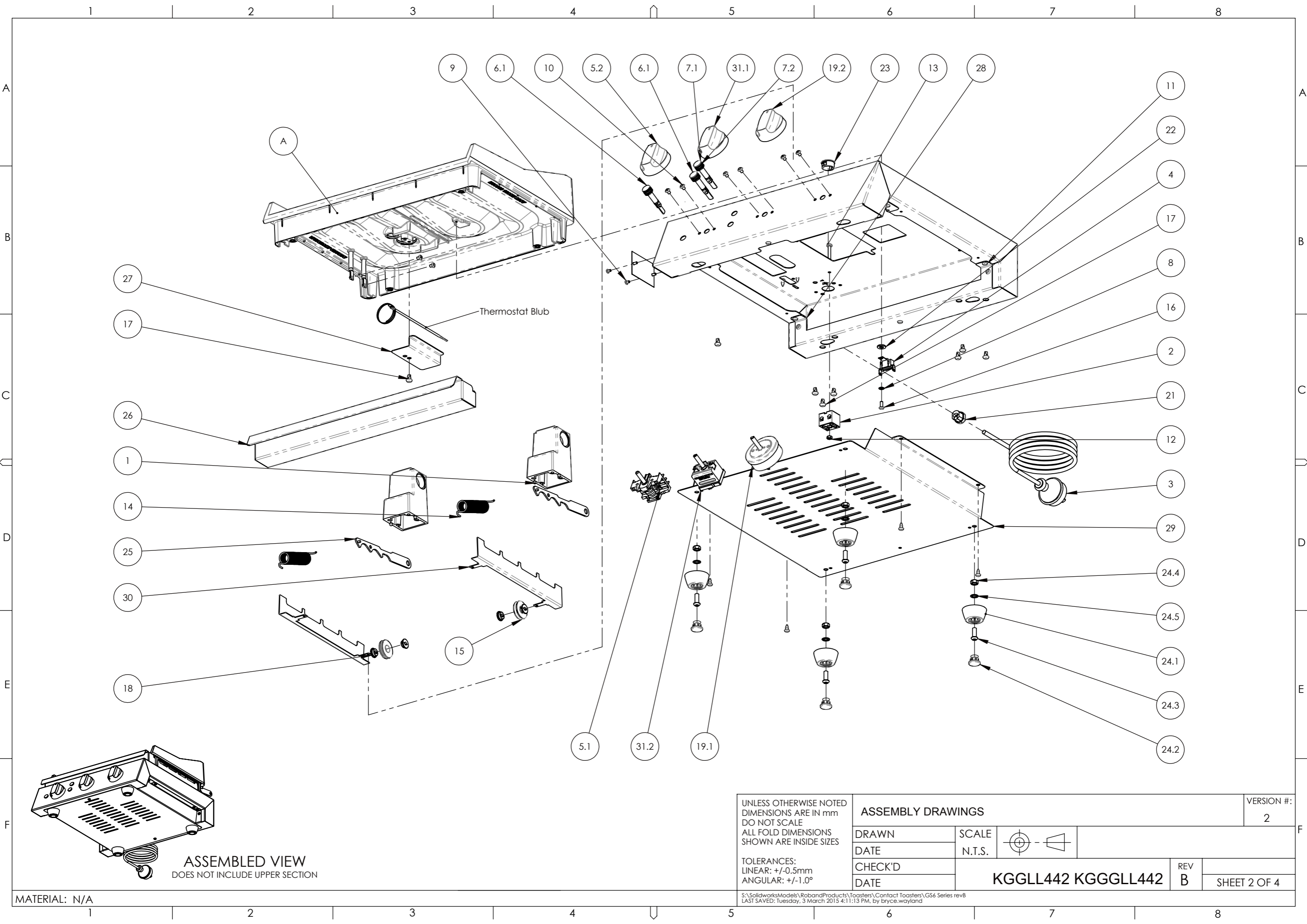


ZONE	REV.	DESCRIPTION	CHG BY
All	B	RH Cover Retainer Screws Longer DCN736	BW
All	A	Plastic Bearing replaced with Brass	BW

MATERIAL: N/A

UNLESS OTHERWISE NOTED DIMENSIONS ARE IN mm DO NOT SCALE ALL FOLD DIMENSIONS SHOWN ARE INSIDE SIZES		ASSEMBLY DRAWINGS		VERSION #: 2
DRAWN	SCALE			
DATE	N.T.S.			
CHECK'D	KGGLL442 KGGLL442		REV B	SHEET 1 OF 4
DATE				

S:\SolidworksModels\RobandProducts\Toasters\Contact Toasters\GS6 Series rev8
LAST SAVED: Tuesday, 3 March 2015 4:11:13 PM, by bryce.wayland



ASSEMBLED VIEW
DOES NOT INCLUDE UPPER SECTION

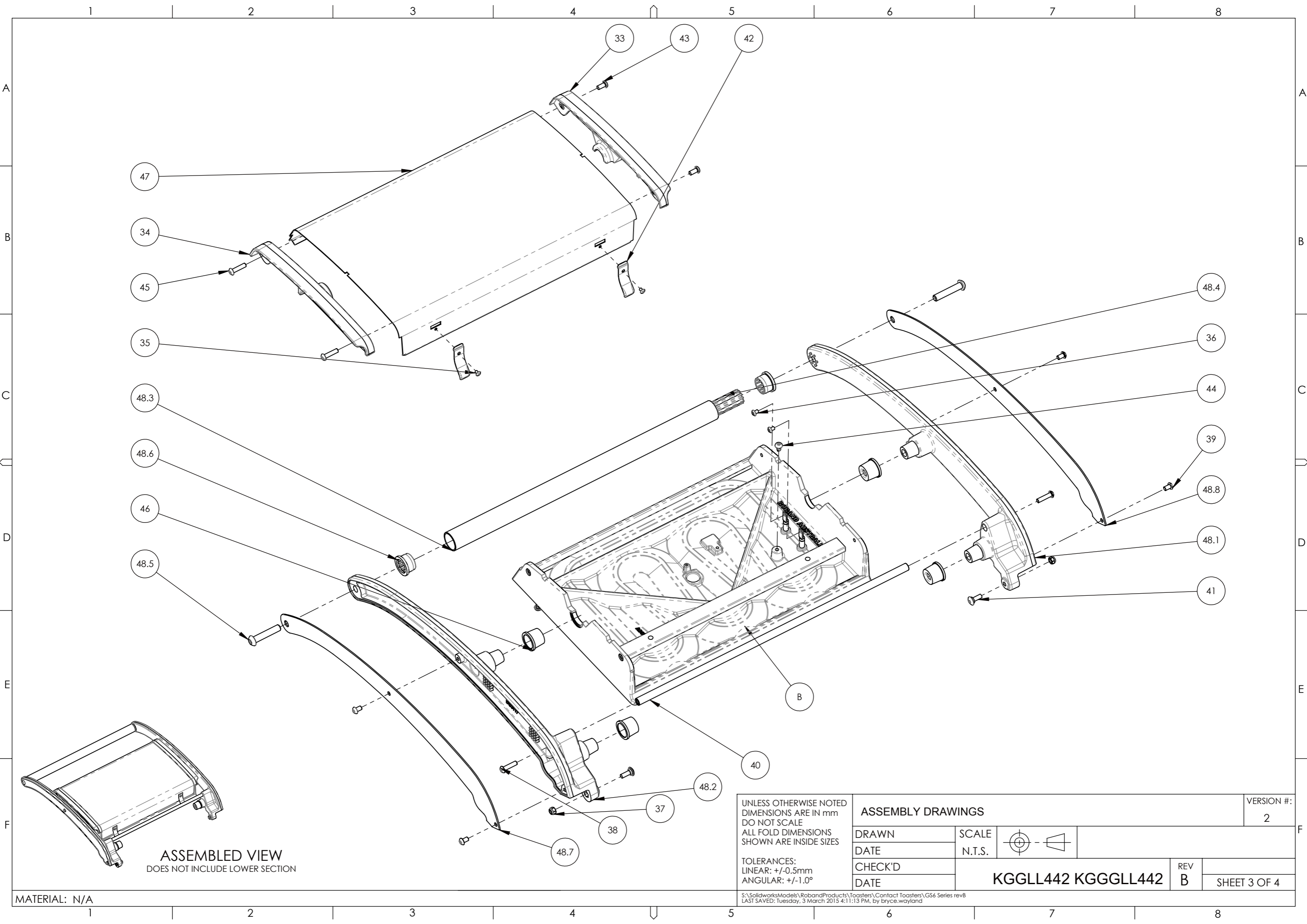
MATERIAL: N/A

UNLESS OTHERWISE NOTED
DIMENSIONS ARE IN mm
DO NOT SCALE
ALL FOLD DIMENSIONS
SHOWN ARE INSIDE SIZES

TOLERANCES:
LINEAR: +/-0.5mm
ANGULAR: +/-1.0°

ASSEMBLY DRAWINGS				VERSION #: 2
DRAWN	SCALE			
DATE	N.T.S.			
CHECK'D	KGGLL442 KGGLL442			REV B
DATE				SHEET 2 OF 4

S:\Solidworks\Models\Roband\Products\Toasters\Contact Toasters\GS6 Series rev8
LAST SAVED: Tuesday, 3 March 2015 4:11:13 PM, by bryce.wayland



47

34

45

35

48.3

48.6

46

48.5

33

43

42

48.4

36

44

39

48.8

48.1

41

B

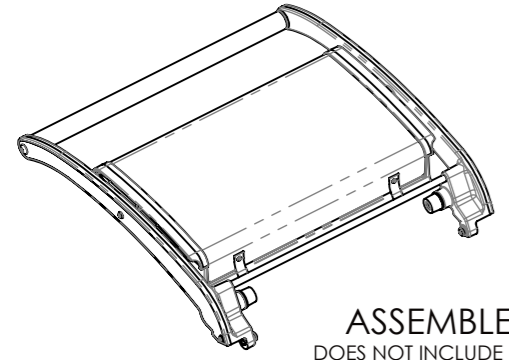
40

48.2

37

38

48.7



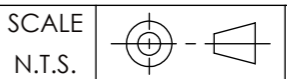
ASSEMBLED VIEW
DOES NOT INCLUDE LOWER SECTION

UNLESS OTHERWISE NOTED
DIMENSIONS ARE IN mm
DO NOT SCALE
ALL FOLD DIMENSIONS
SHOWN ARE INSIDE SIZES

TOLERANCES:
LINEAR: +/-0.5mm
ANGULAR: +/-1.0°

ASSEMBLY DRAWINGS

DRAWN	SCALE
DATE	N.T.S.
CHECK'D	
DATE	



KGGLL442 KGGLL442

REV
B

SHEET 3 OF 4

VERSION #:
2

S:\Solidworks\Models\RobandProducts\Toasters\Contact Toasters\GS6 Series rev8
LAST SAVED: Tuesday, 3 March 2015 4:11:13 PM, by bryce.wayland

Lower Section Parts (Page 2)			
ITEM NO.	PART NUMBER	DESCRIPTION	QTY
1	DC0118	Bearing Block	2
2	EC0031	Terminal Block - Porcelain	1
3	EC0239	10A Cord	1
4	EC0377	Thermal Fuse 318°C non resetting	1
5	ES0258	Rotary Switch & AI Knob	1
5.1	EC0209	Switch Rotary - 3 Pos - 3 Pole	1
5.2	MC0846	Roband Knob - 6mm - Aluminium	1
6	ES0264	Amber Pilot, 'O' Ring & Nut	2
6.1	EC0395	Pilot - Amber	1
6.2	PC0426	Viton 'O' Ring	1
7	ES0265	Green Pilot, 'O' Ring & Nut	1
7.1	EC0396	Pilot - Green	1
7.2	PC0426	Viton 'O' Ring	1
8	MC0252	Washer - Ø5/32" Shakeproof ZP	1
9	MC0283	Rivet - 73MS 4-1 Truss Head	2
10	MC0565	Screw M4 x 5 Button Head Torx ZP	8
11	MC0584	Screw 8G x 3/8" T20 SS	20
12	MC0688	Nut - M4 SS	1
13	MC0695	Screw M4 x 25 Pan Hd Torx SS	1
14	MC0844	Tension Spring	2
15	MC0845	Cam Roller SS	2
16	MC0848	Screw - M4 x 10mm T20 Torx Button Hd Ni Plated	1
17	MC0899	Screw M5 x 8 Button Hd Anti Sieze Torx SS	9
18	MC1025	Brass Bearing	4
19	MS0519	5 Minute Timer with Aluminium Knob	1
19.1	MC0697	Timer - 5 Minute Bell	1
19.2	MC0846	Roband Knob - 6mm - Aluminium	1
20	NS0001	Rating Plate Assembly - Plain	1
20.1	MC0284	Rivet - 73MS 4-2 Truss Head	2
21	PC0060	Cord Clamp - 10A	1
22	PC0146	Washer - Ø1/4" x Ø1/2" x 1/16", klingerite	1
23	PC0275	Bush 3/4" Nylon 6/6	1
24	PS0129	Foot & Foot Cap (Includes Screws, Nuts and Washers) - Set of 4	1
24.1	PC0392	Appliance Foot	4
24.2	PC0393	Appliance Foot Bung	4
24.3	MC0405	Screw M6 x 16 Button Head Socket SS	4
24.4	MC0417	Nut M6 Steel Hex ZP	4
24.5	MC0902	Washer - 3/16 Internal Star Shakeproof	4
25	SC0038	Cam Plate	2
26	SS2415	Grease Box	1
27	SS2418	T/stat Sensor Brkt	1
28	SS2419	Control Box	1
29	SS2420	Bottom Cover	1
30	SS2421	Skirt	2
31	TS0020	285°C T-Stat with Aluminium Knob	1
31.1	MC0846	Roband Knob - 6mm - Aluminium	1
31.2	TC0024	Thermostat 50-285°C	1

Upper Section Parts (Page 3)			
ITEM NO.	PART NUMBER	DESCRIPTION	QTY.
33	DC0113	Left Cover Retainer	1
34	DC0114	Right Cover Retainer	1
35	MC0283	Rivet - 73MS 4-1 Truss Head	2
36	MC0565	Screw M4 x 5 Button Head Torx ZP	2
37	MC0700	Nut - M5 Nylon Lock ZP	2
38	MC0707	M5 x 20 Button HD Torx SS	2
39	MC0712	Screw - M5 x 8 Button Head Torx SS	4
40	MC0840	Handle Spacer Bar	1
41	MC0843	Screw M5 x 12 Button Hd Shoulder Torx SS	2
42	MC0862	Spring Bumper	2
43	MC0883	Screw M5 x 10 Button Hd Anti Sieze Torx SS	2
44	MC0899	Screw M5 x 8 Button Hd Anti Sieze Torx SS	2
45	MC1046	M5 x 20 Button HD Torx SS	2
46	PC0418	Bush - Machined / Sintered PTFE	4
47	SS2413	Top Cover	1
48	VS0267	GSA8 Handle-Arm Assembly	1
48.1	DC0116	Left Handle Arm	1
48.2	DC0117	Right Handle Arm	1
48.3	MC0841	Handle Tube	1
48.4	MC0952	GS6 Handle Extrusion	1
48.5	MC0986	Screw - M8 x 40mm T40 Torx button Head S/Steel	2
48.6	PC0473	GS Handle Bush	2
48.7	SC0052	Right Arm Cover	1
48.8	SC0037	Left Arm Cover	1

Parts for KGGLL442			
ITEM NO.	PART NUMBER	DESCRIPTION	QTY.
A	HC0169	Bottom Plate - Aluminium - 1200W 230V	1
B	HC0168	Top Plate - Aluminium - Smooth - 1000W 230V	1

Parts for KGGGLL442			
ITEM NO.	PART NUMBER	DESCRIPTION	QTY.
A	HC0169	Bottom Plate - Aluminium - 1200W 230V	1
B	HC0184	Top Plate - Aluminium - Ribbed - 1000W 230V	1

MATERIAL: N/A

UNLESS OTHERWISE NOTED DIMENSIONS ARE IN mm DO NOT SCALE ALL FOLD DIMENSIONS SHOWN ARE INSIDE SIZES TOLERANCES: LINEAR: +/-0.5mm ANGULAR: +/-1.0°	ASSEMBLY DRAWINGS			VERSION #: 2
	DRAWN	SCALE		
	DATE	N.T.S.		
	CHECK'D	KGGLL442 KGGGLL442		REV B
DATE			SHEET 4 OF 4	

S:\SolidworksModels\RobandProducts\Toasters\Contact Toasters\GS6 Series revB
LAST SAVED: Tuesday, 3 March 2015 4:11:13 PM, by bryce.wayland