

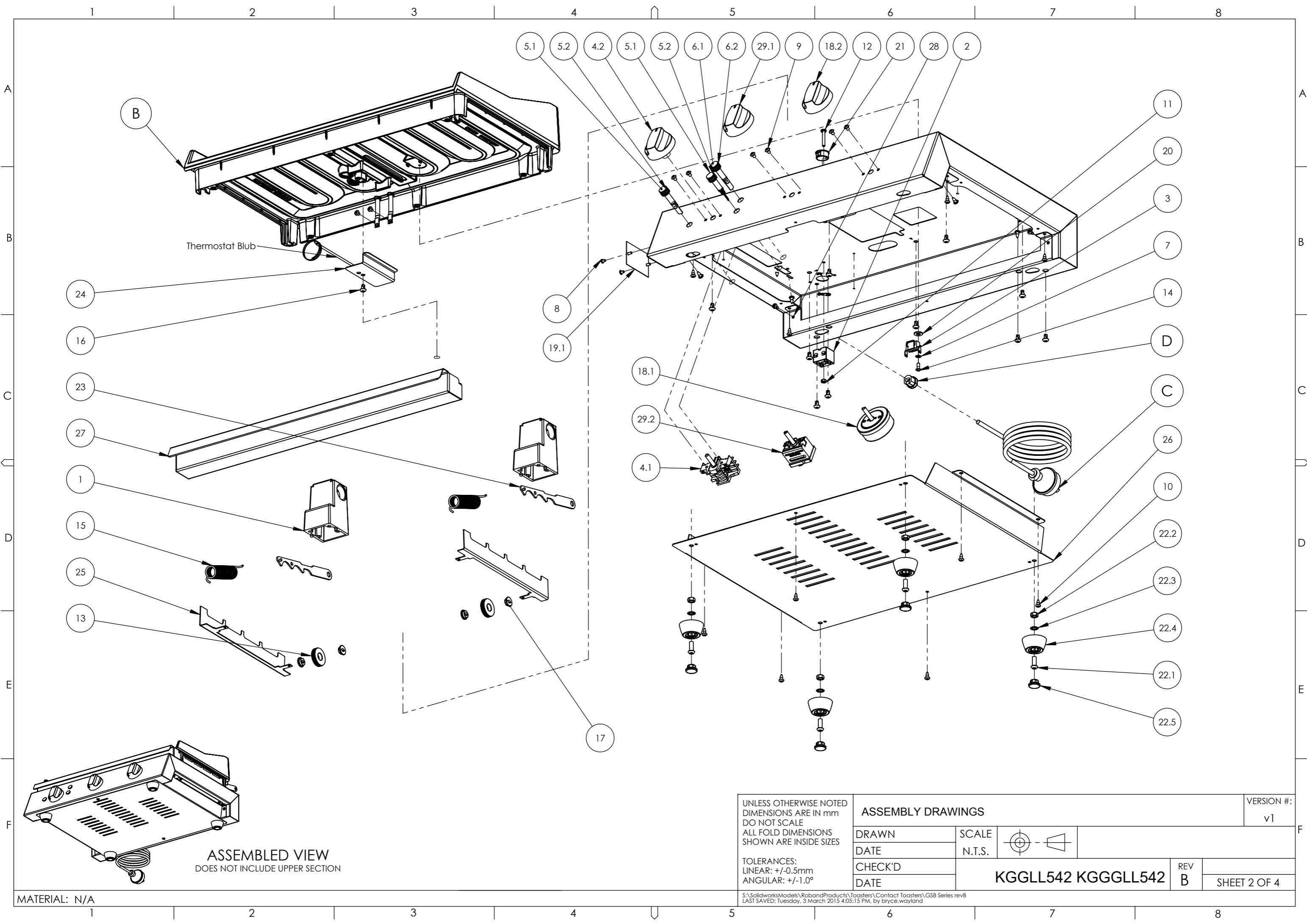
ZONE	REV.	DESCRIPTION	CHG BY
All	B	RH Cover Retainer Screws Longer DCN736	BW
All	A	Plastic Cam Bush Replaced with Brass	BW

MATERIAL: N/A

UNLESS OTHERWISE NOTED DIMENSIONS ARE IN mm DO NOT SCALE ALL FOLD DIMENSIONS SHOWN ARE INSIDE SIZES				ASSEMBLY DRAWINGS			VERSION #: v1
DRAWN	SCALE						
DATE	N.T.S.						
CHECK'D	KGGLL542 KGGGLL542			REV			
DATE				B			SHEET 1 OF 4

TOLERANCES:
LINEAR: +/-0.5mm
ANGULAR: +/-1.0°

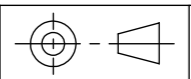
S:\SolidworksModels\RobandProducts\Toasters\Contact Toasters\GS8 Series rev8
LAST SAVED: Tuesday, 3 March 2015 4:05:15 PM, by bryce.wayland



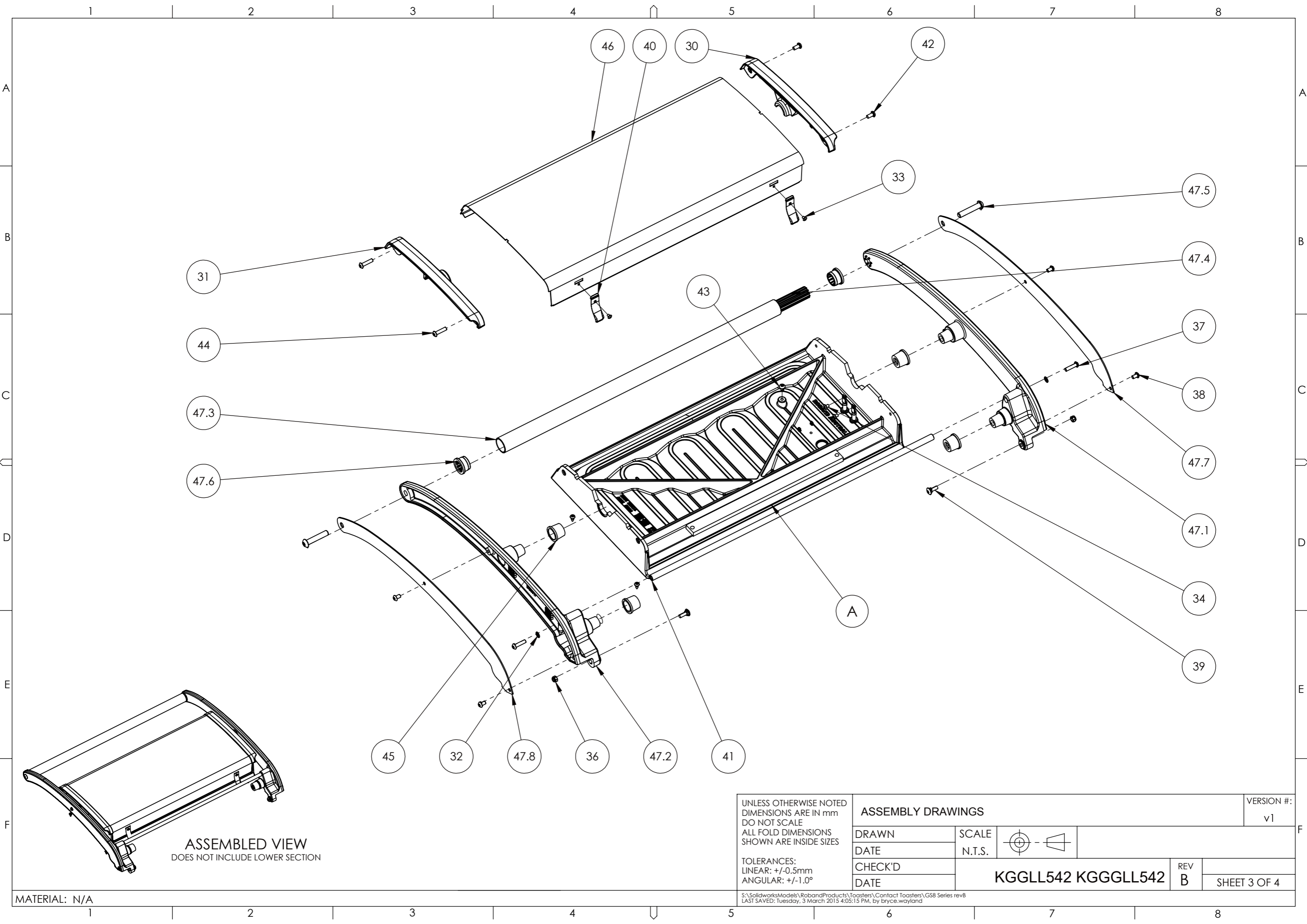
Thermostat Blub

ASSEMBLED VIEW
DOES NOT INCLUDE UPPER SECTION

MATERIAL: N/A

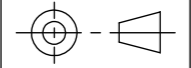
UNLESS OTHERWISE NOTED DIMENSIONS ARE IN mm DO NOT SCALE ALL FOLD DIMENSIONS SHOWN ARE INSIDE SIZES		ASSEMBLY DRAWINGS		VERSION #: v1
DRAWN	SCALE		KGGLL542 KGGLL542	
DATE	N.T.S.			
CHECK'D	REV	B		SHEET 2 OF 4
DATE				

S:\Solidworks\Models\Roband\Products\Toasters\Contact Toasters\GS8 Series rev8
LAST SAVED: Tuesday, 3 March 2015 4:05:15 PM, by bryce.wayland



ASSEMBLED VIEW
DOES NOT INCLUDE LOWER SECTION

MATERIAL: N/A

UNLESS OTHERWISE NOTED DIMENSIONS ARE IN mm DO NOT SCALE ALL FOLD DIMENSIONS SHOWN ARE INSIDE SIZES		ASSEMBLY DRAWINGS		VERSION #: v1
DRAWN	SCALE			REV B
DATE	N.T.S.			
CHECK'D	KGGLL542 KGGGLL542		SHEET 3 OF 4	
DATE				

S:\SolidworksModels\RobandProducts\Toasters\Contact Toasters\GS8 Series revB
LAST SAVED: Tuesday, 3 March 2015 4:05:15 PM, by bryce.wayland

Common Parts

Lower Plate Parts (Page 2)

ITEM NO.	PART NUMBER	DESCRIPTION	QTY.
1	DC0118	Bearing Block	2
2	EC0031	Terminal Block - Porcelain	1
3	EC0377	Thermal Fuse 318°C non resetting	1
4	ES0258	Rotary Switch & AI Knob	1
4.1	EC0209	Switch Rotary - 3 Pos - 3 Pole	1
4.2	MC0846	Roband Knob - 6mm - Aluminium	1
5	ES0264	Amber Pilot, 'O' Ring & Nut	2
5.1	EC0395	Pilot - Amber	1
5.2	PC0426	Viton 'O' Ring	1
6	ES0265	Green Pilot, 'O' Ring & Nut	1
6.1	EC0396	Pilot - Green	1
6.2	PC0426	Viton 'O' Ring	1
7	MC0252	Washer - Ø5/32" Shakeproof ZP	1
8	MC0283	Rivet - 73MS 4-1 Truss Head	2
9	MC0565	Screw M4 x 5 Button Head Torx ZP	8
10	MC0584	Screw 8G x 3/8" T20 SS	20
11	MC0688	Nut - M4 SS	1
12	MC0695	Screw M4 x 25 Pan Hd Torx SS	1
13	MC0845	Cam Roller SS	2
14	MC0848	Screw - M4 x 10mm T20 Torx Button Hd Ni Plated	1
15	MC0872	Tension Spring	2
16	MC0899	Screw M5 x 8 Button Hd Anti Sieze Torx SS	11
17	MC1025	Brass Bearing	4
18	MS0519	5 Minute Timer with Aluminium Knob	1
18.1	MC0697	Timer - 5 Minute Bell	1
18.2	MC0846	Roband Knob - 6mm - Aluminium	1
19	NS0001	Rating Plate Assembly - Plain	1
19.1	NC0005	Rating Plate	1
19.2	MC0284	Rivet - 73MS 4-2 Truss Head	2
20	PC0146	Washer - Ø1/4" x Ø1/2" x 1/16", klingerite	1
21	PC0275	Bush 3/4" Nylon 6/6	1
22	PS0129	Foot & Foot Cap (Includes Screws, Nuts and Washers) - Set of 4	1
22.1	MC0405	Screw M6 x 16 Button Head Socket SS	4
22.2	MC0417	Nut M6 Steel Hex ZP	4
22.3	MC0902	Washer - 3/16 Internal Star Shakeproof	4
22.4	PC0392	Appliance Foot	4
22.5	PC0393	Appliance Foot Bung	4
23	SC0038	Cam Plate	2
24	SS2418	T/stat Sensor Brkt	1
25	SS2421	Skirt	2
26	SS2501	GS8 Bottom Cover	1
27	SS2503	GS8 Grease Box	1
28	SS2504	GS8 Control Box	1
29	TS0020	285°C T-Stat with Aluminium Knob	1
29.1	MC0846	Roband Knob - 6mm - Aluminium	1
29.2	TC0024	Thermostat 50-285°C	1

Upper Plate Parts (Page 3)

ITEM NO.	PART NUMBER	DESCRIPTION	QTY.
30	DC0113	Left Cover Retainer	1
31	DC0114	Right Cover Retainer	1
32	MC0278	Washer - 3/16 Internal Star Shakeproof	2
33	MC0283	Rivet - 73MS 4-1 Truss Head	2
34	MC0565	Screw M4 x 5 Button Head Torx ZP	2
35	MC0584	Screw 8G x 3/8" T20 SS	4
36	MC0700	Nut - M5 Nylon Lock ZP	2
37	MC0707	M5 x 20 Button HD Torx SS	2
38	MC0712	Screw - M5 x 8 Button Head Torx SS	4
39	MC0843	Screw M5 x 12 Button Hd Shoulder Torx SS	2
40	MC0862	Spring Bumper	2
41	MC0866	Handle Spacer Bar	1
42	MC0883	Screw M5 x 10 Button Hd Anti Sieze Torx SS	2
43	MC0899	Screw M5 x 8 Button Hd Anti Sieze Torx SS	1
44	MC1046	M5 x 20 Button HD Torx SS	2
45	PC0418	Bush - Machined / Sintered PTFE	4
46	SS2502	GS8 Top Cover	1
47	VS0268	GSA8 Handle-Arm Assembly	1
47.1	DC0116	Left Handle Arm	1
47.2	DC0117	Right Handle Arm	1
47.3	MC0865	Handle Tube	1
47.4	MC0953	GS8 Handle Extrusion	1
47.5	MC0986	Screw - M8 x 40mm T40 Torx button Head S/Steel	2
47.6	PC0473	GS Handle Bush	2
47.7	SC0037	Left Arm Cover	1
47.8	SC0052	Right Arm Cover	1

Parts for KGGLL542

ITEM NO.	PART NUMBER	DESCRIPTION	QTY.
A	HC0198	Top Plate - Aluminium - Smooth - 1170W 230V	1
B	HC0197	Bottom Plate - Aluminium - 1820W 230V	1
C	EC0306	Plug and Cord - Elastomer - 15A	2
D	PC0061	Cord Clamp - 15A	1

Parts for KGGGLL542

ITEM NO.	PART NUMBER	DESCRIPTION	QTY.
A	HC0199	Top Plate - Aluminium - Ribbed - 1170W 230V	1
B	HC0197	Bottom Plate - Aluminium - 1820W 230V	1
C	EC0306	Plug and Cord - Elastomer - 15A	2
D	PC0061	Cord Clamp - 15A	1

UNLESS OTHERWISE NOTED
DIMENSIONS ARE IN mm
DO NOT SCALE
ALL FOLD DIMENSIONS
SHOWN ARE INSIDE SIZES

TOLERANCES:
LINEAR: +/-0.5mm
ANGULAR: +/-1.0°

ASSEMBLY DRAWINGS

DRAWN

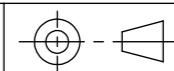
DATE

CHECK'D

DATE

SCALE

N.T.S.



KGGLL542 KGGGLL542

REV
B

VERSION #:
v1

SHEET 4 OF 4