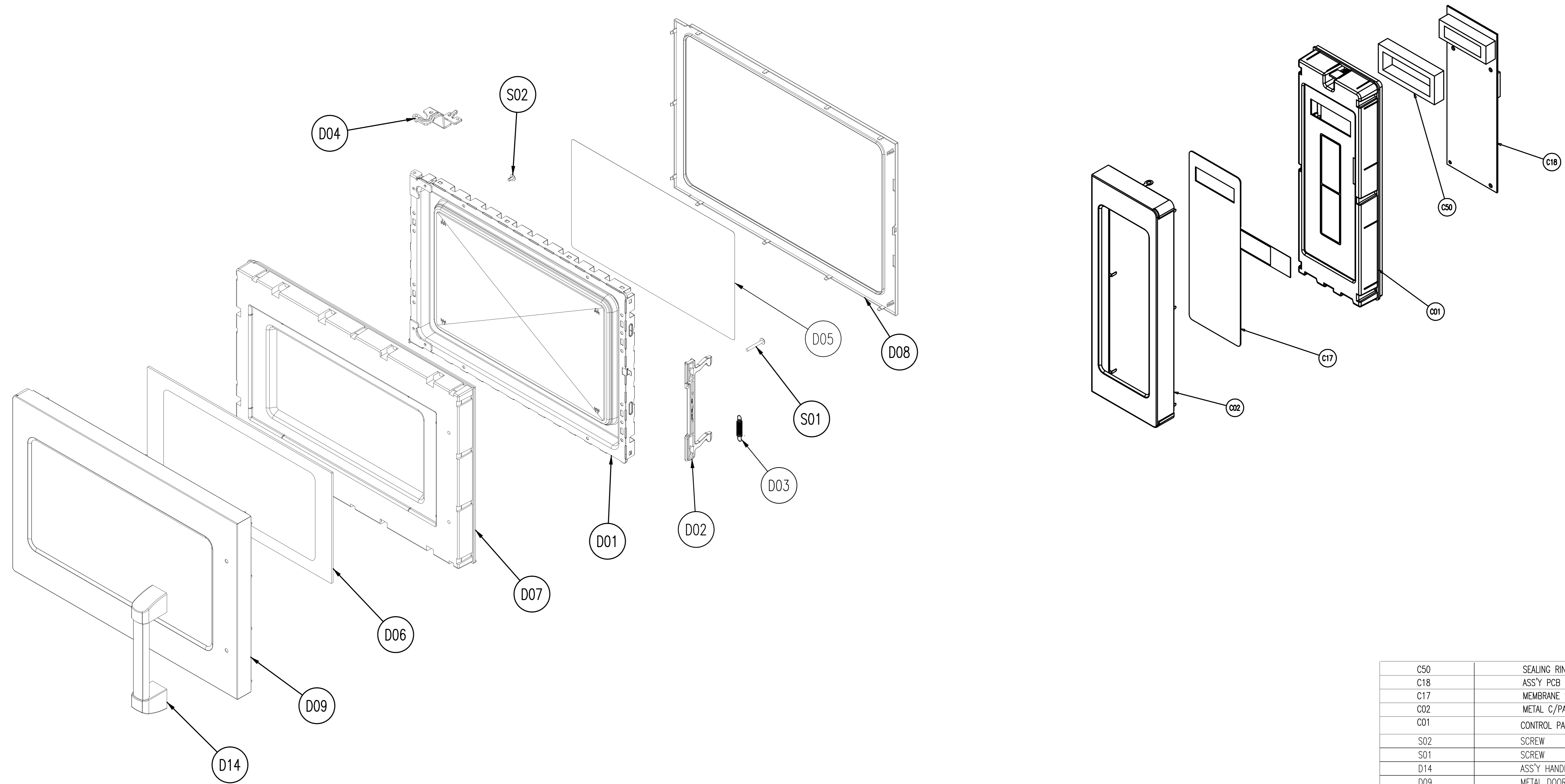


Z24	OUTER CASE	1	
Z01	HOLDER H.V.C	1	
Y38	MOTOR COVER	1	
W20	METAL WIND GUIDE COVER	1	
W06	METAL DAMPER	1	
W03	FAN MOTOR	1	
W02	FAN	1	
W01	FAN GUIDE	1	
T00	ASS'Y STIRRER	1	
T36	SEALING WATER BRKT	1	
T01	TURNTABLE MOTOR	1	
L05	MAIN WIRE HARNESS	1	
L04	MICROSWITCH	1	
L03	MICROSWITCH	2	
L02	INTERLOCK LEVER	1	
L01	LATCH BOARD	1	
E44	THERMOSTAT 120/0	1	
E35	THERMOSTAT 160/95	1	
E19	THERMOSTAT BRKT	1	
E16	POWER CORD	1	
E11	FUSE	1	
E10	NOISE FILTER	1	
E07	-I.V.DIODE	1	
E06	-I.V.CAPACITOR	1	
E05	-I.V.TRANSFORMER	1	
E04	ASS'Y LAMP	1	
E01	MAGNETRON	1	
D00	ASS'Y DOOR	1	
C00	ASS'Y CONTROL	1	
B03	ASS'Y HINGE *LOWER	1	
B01	BASE PLATE	1	
A30	ASS'Y PLATE COVER *INNER	1	
A00	ASS'Y CAVITY	1	
No.	Part Name	Qty.	Remark

MWM3414



C50	SEALING RING	1	
C18	ASS'Y PCB	1	
C17	MEMBRANE SWITCH	1	
C02	METAL C/PANEL DECO.	1	
C01	CONTROL PANEL	1	
S02	SCREW	2	
S01	SCREW	2	
D14	ASS'Y HANDLE	1	
D09	METAL DOOR DECO.	1	
D08	DOOR GASKET	1	
D07	DOOR PANEL	1	
D06	DOOR SCREEN	1	
D05	DOOR FILM	1	
D04	ASS'Y HINGE *UPPER	1	
D03	LATCH SPRING	1	
D02	LATCH	1	
D01	ASS'Y DOOR FRAME	1	
No.	Part Name	Qty.	Remark

**MWM3414**