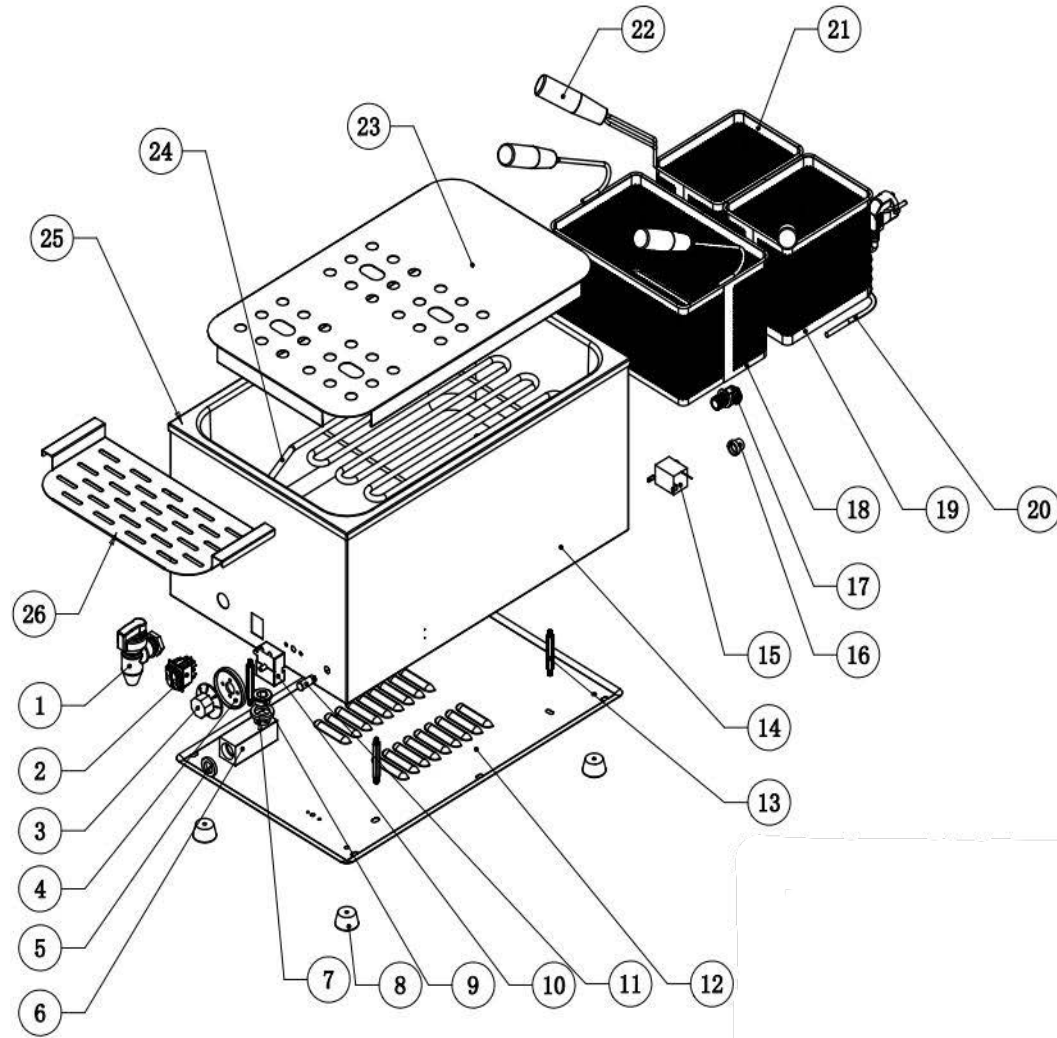


EXPLODED DRAWING FOR ENH25



No.	Material code	Name	Qty	
1	2.000000007	Self-Locking Angle Valves	1	
2	1.05.093221HY12	Switch	1	
3	3.SB600016010101	Knob	1	
4	2.ZCK165B01080601	Knob holder	1	

5	3.0000059	Silicon pad	1	
6	2.000000034-1	Pipe	1	
7	3.0000404	Sealing Ring	1	
8	3.0000161	Rubber feet	4	
9	2.000000005	Cap	1	
10	1.06.1101713-02	Thermostat	1	
11	1.03.00020012	Indicator light	1	
12	2.ZCK165B0114B0101	Base plate	1	
13	2.00003880000011	Screw	4	
14	2.ZCP205BT010701	Frame	1	
15	1.06.125171302	Temperature limiter	1	
16	1.06.125171302	Temperature limiter	1	
17	1.03.00040001	Wire card	1	
18	2.ZCP205BT040901	Basket/260*170*155 (mm)	1	
19	2.ZCP205BT050901	Basket (right)/170*130*155 (mm)	1	
20	1.01.01.20046105	Power cord	1	
21	2.ZCP205BT030901	Basket (left)/170*130*155 (mm)	1	
22	3.HP8CT0301	Handle	4	
23	2.ZCP205BT070701	Boiling plate	1	
24	1.07.ZCP205BT060701	Heating pipe	1	
25	2.ZCP205BT020702	Water pan	1	
26	2.ZCP205BT080701	Drainage board	1	