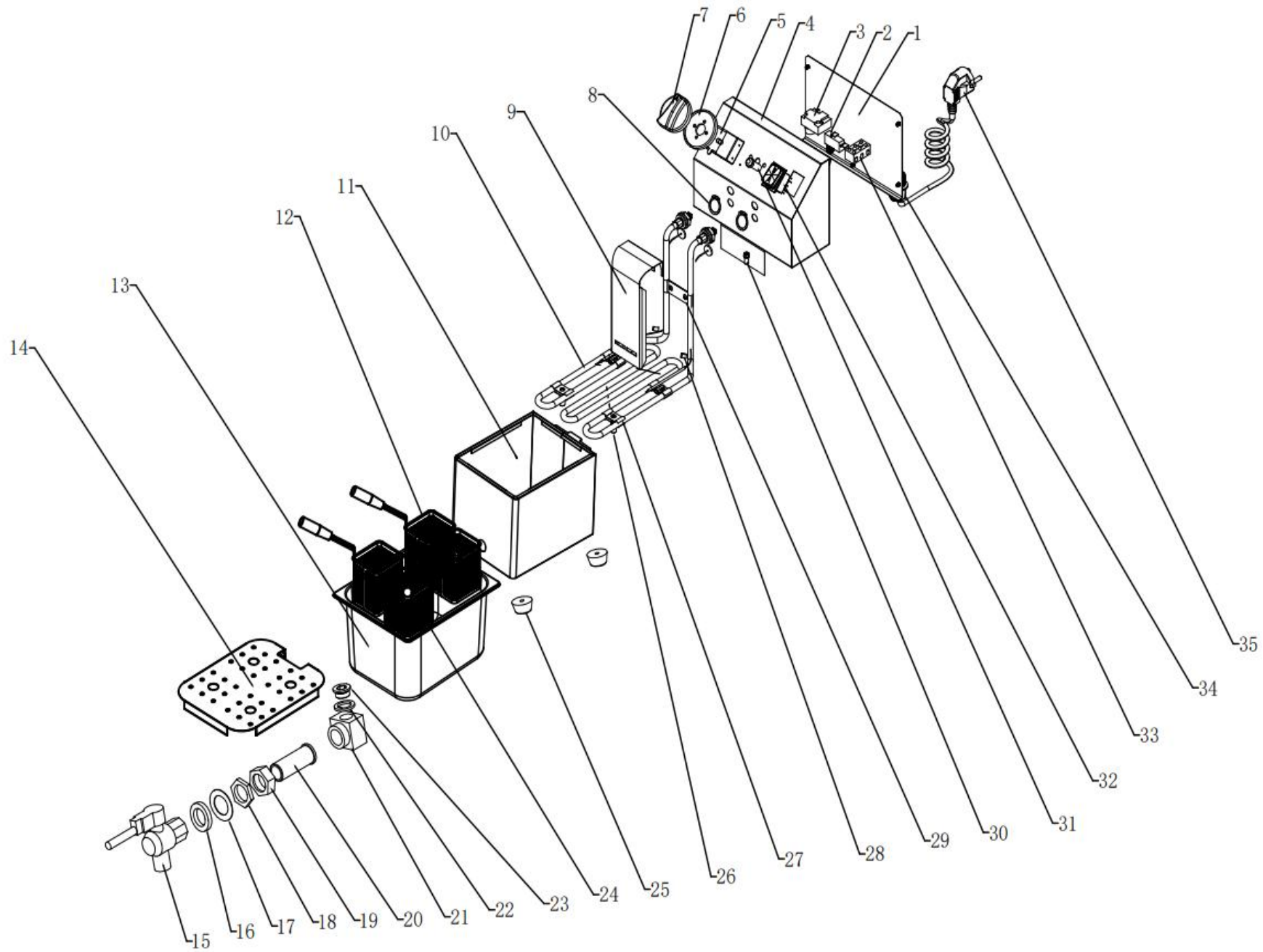


EXPLODED DRAWING FOR ENH8



No.	Material code	Name	Qty	
1	2.02HDF8020702	Electrical Box Rear Seal Plate	1	
2	1.05.035011HDFMS116	Microswitch	1	
3	1.06.125171305	Thermostat	1	
4	2.02HDF80007ZZ	Electrical box assembly	1	
5	1.06.1101713-02	Thermostat	1	
6	3.ZCK165BT20010101-1	Knob Ring	1	
7	3.HDF4210000	Knob	1	
8	2.000000017	Circlip	2	
9	2.02HDF8220702	Heating Circle Guard	1	
10	1.07.HDF8141903	Heating Tube	1	
11	2.02HDF8C0107Z	Frame	1	
12	2.HP8CT020901	Basket (Left)	2	
13	2.02HDF8100700	Oil press basin	1	
14	2.HP8CT010701	Boiling plate	1	
15	2.000000018	Faucet	1	
16	3.0000421	Seals	1	
17	2.02HDF8230001	Faucet washers	1	
18	2.YZLFJ-19110200	And cap	1	
19	2.YZLFJ-17110200-1	Movable Joints and Caps	1	
20	2.HDF8C14030201	movable joints	1	
21	2.YZLFJ-17110200-2	Fuel nozzle connector	1	
22	3.0000404	Seal ring	1	
23	2.000000005	parallel cap	1	

24	2. HP8CT020901	Basket (Right)	2	
25	3. 0000161	Rubber feet	4	
26	2. HDF8A120701	Support post	2	
27	2. 02HDF8050701	Sensor bar fixing piece	4	
28	2. 000000015	Snap wire	6	
29	2. 02HDF8070701	Heating Tube Pressure Plate	2	
30	2. 000000003	Positioning pin	2	
31	1. 03. 00020017	Indicator Lamp	1	
32	1. 05. 093121R599KDFT1FAJKA	Rocker Switch	1	
33	1. 03. 080000010	Wiring Terminal	1	
34	1. 03. 00040001	Wire Clip	1	
35	1. 01. 01. 20046105	Power Cord	1	