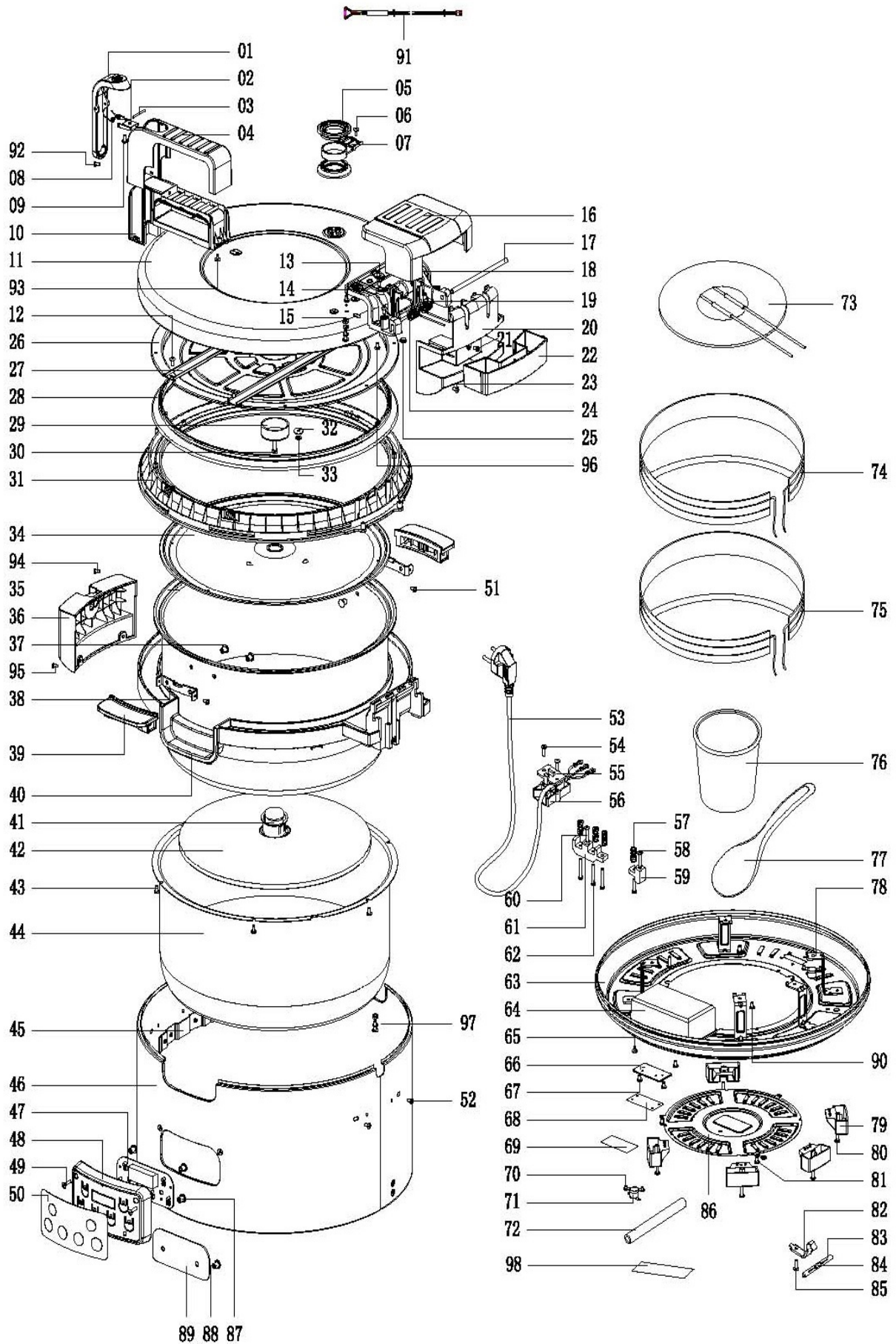


RKK100 Diagram

RICE COOKER



RKK100 Parts list

RICE COOKER

Part No. of Diagram	No.	Description	Quantity (PCS)	
1	ZCE100-1001	COVER OPENING BUTTON	1	
2	ZCE100-1002	KEY SEAT	1	
3	ZCE100-1003	KEY PIN	1	
4	ZCE100-1004	HANDLE COVER	1	
5	ZCE100-1005	STEAM HOLE SEALING RING	2	
6	ZCE100-1006	SCREW	2	
7	ZCE100-1007	STEAM VALVE BRACKET	1	
8	ZCE100-1008	BUTTON SPRING	1	
9	ZCE100-1009	SCREW	1	
10	ZCE100-10010	HANDLE SEAT	1	
11	ZCE100-10011	STEEL COVER SUS409	1	
12	ZCE100-10012	SCREW	10	
13	ZCE100-10013	SCREW	4	
14	ZCE100-10014	SCREW	3	
15	ZCE100-10015	SCREW	1	
16	ZCE100-10016	BACK COVER	1	
17	ZCE100-10017	HINGE SHAFT	1	
18	ZCE100-10018	REAR PRESSING PLATE	1	
19	ZCE100-10019	RIGHT SPRING	1	
20	ZCE100-10020	WATER COLLECTING BOX FRAME	1	
21	ZCE100-10021	SCREW	1	
22	ZCE100-10022	COLLECTING CUP	1	
23	ZCE100-10023	SCREW	2	
24	ZCE100-10024	LEFT SPRING	1	
25	ZCE100-10025	SCREW SEALING	4	

RKK100 Parts list

RICE COOKER

Part No. of Diagram	No.	Description	Quantity (PCS)	
26	ZCE100-10026	ALUMINUM COVER	1	
27	ZCE100-10027	SUPPORTING ROD	2	
28	ZCE100-10028	SEALING RING	1	
29	ZCE100-10029	SILICA GEL CUP	1	
30	ZCE100-10030	ALUMINUM COVER SHAFT	1	
31	ZCE100-10031	PLASTIC COVER RING BRACKET	4	
32	ZCE100-10032	SCREW	1	
33	ZCE100-10033	SILICA GEL GASKET	1	
34	ZCE100-10034	MICRO PRESSURE ALUMINUM COVER	1	
35	ZCE100-10035	INNER POT	1	
36	ZCE100-10036	FRONT LOCK PLATE	1	
37	ZCE100-10037	SCREW	4	
38	ZCE100-10038	INNER POT HANDLE FRAME	2	
39	ZCE100-10039	INNER POT HANDLE	2	
40	ZCE100-10040	PLASTIC RING	1	
41	ZCE100-10041	SENSOR	1	
42	ZCE100-10042	HEATING PLATE 220V 2500W	1	
43	ZCE100-10043	SCREW	6	
44	ZCE100-10044	MIDDLE LEVEL	1	
45	ZCE100-10045	HOUSING FIXING PLATE	2	
46	ZCE100-10046	SHELL SUS409	1	
47	ZCE100-10047	PCB (DISPLAY BOARD)	1	
48	ZCE100-10048	PLASTIC CONTROL SHELL	1	
49	ZCE100-10049	SCREW	2	
50	ZCE100-10050	TRADEMARKS PASTE	1	

RKK100 Parts list

RICE COOKER

Part No. of Diagram	No.	Description	Quantity (PCS)	
51	ZCE100-10051	SCREW	4	
52	ZCE100-10052	SCREW	4	
53	ZCE100-10053	POWER CORD 1.5M 3*1.5MM2	1	
54	ZCE100-10054	SCREW	2	
55	ZCE100-10055	WIRE CLIP COVER	1	
56	ZCE100-10056	PRESSING LINE BASE	1	
57	ZCE100-10057	SCREW	1	
58	ZCE100-10058	SCREW	1	
59	ZCE100-10059	CERAMIC INDIVIDUAL WIRING SEAT	1	
60	ZCE100-10060	SCREW	1	
61	ZCE100-10061	CERAMIC MULTI LINE WIRING SEAT	1	
62	ZCE100-10062	SCREW	3	
63	ZCE100-10063	BOTTOM RING (BLACK)	1	
64	ZCE100-10064	PCB BOARD FIXING BOX	1	
65	ZCE100-10065	SCREW	2	
66	ZCE100-10066	PCB BOARD (CONTROL PANEL)	1	
67	ZCE100-10067	SCREW	2	
68	ZCE100-10068	DISPLAY PANEL MICA SHEET	1	
69	ZCE100-10069	ALUMINUM FOIL 135*80MM	1	
70	ZCE100-10070	SCREW	1	
71	ZCE100-10071	THE SUDDEN JUMP TEMPERATURE CONTROLLER 15A 200 DEGREES	1	
72	ZCE100-10072	WIRE INSULATION CASING	1	
73	ZCE100-10073	UPPER COVER HEATING TUBE 30W	1	
74	ZCE100-10074	MIDDLE HEATING TUBE 30W	1	
75	ZCE100-10075	MIDDLE HEATING TUBE 60W	1	

RKK100 Parts list

RICE COOKER

Part No. of Diagram	No.	Description	Quantity (PCS)	
76	ZCE100-10076	MEASURING CUP	1	
77	ZCE100-10077	RICE SPOON	1	
78	ZCE100-10078	PAN FOOT BRACKET	5	
79	ZCE100-10079	ELECTRIC RICE COOKER FEET	5	
80	ZCE100-10080	SCREW	5	
81	ZCE100-10081	SCREW	3	
82	ZCE100-10082	FUSE ASSEMBLY	1	
83	ZCE100-10083		1	
84	ZCE100-10084		1	
85	ZCE100-10085	SCREW	1	
86	ZCE100-10086	SEAT COVER (BLACK)	1	
87	ZCE100-10087	SCREW	4	
88	ZCE100-10088	SCREW	2	
89	ZCE100-10089	CONTROL PLATE MICA SHEET	1	
90	ZCE100-10090	SCREW	5	
91	ZCE100-10091	UPPER COVER THERMISTOR MODULE	1	
92	ZCE100-10092	SCREW	1	
93	ZCE100-10093	SCREW	2	
94	ZCE100-10094	SCREW	1	
95	ZCE100-10095	SCREW	2	
96	ZCE100-10096	SCREW	1	
97	ZCE100-10097	SCREW	1	
98	ZCE100-10098	ALUMINUM FOIL 400*35MM	1	
	ZCE100-100A01	SILICONE INSERTION	1	