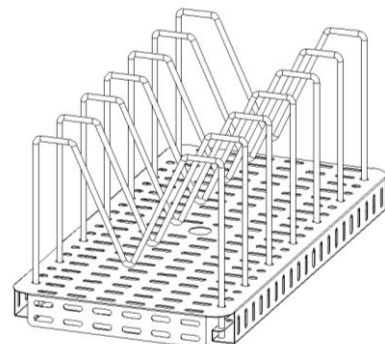
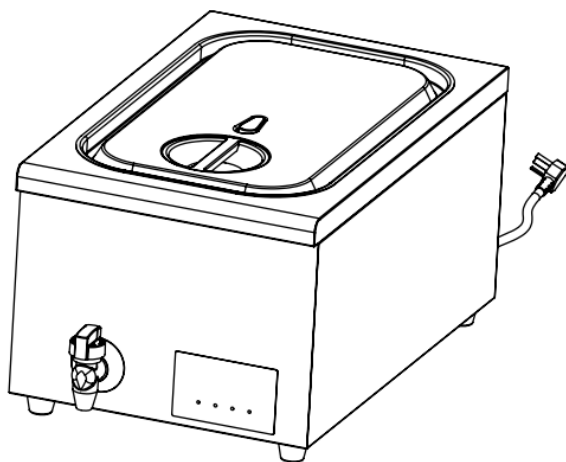


Sous-Vide System

Manuel

SVGVA24

GN 1/1



Dear user:

Welcome your selecting of our product. Please read the manual carefully before you install and use the product and feel free to contact us if you have any suggestion with it.

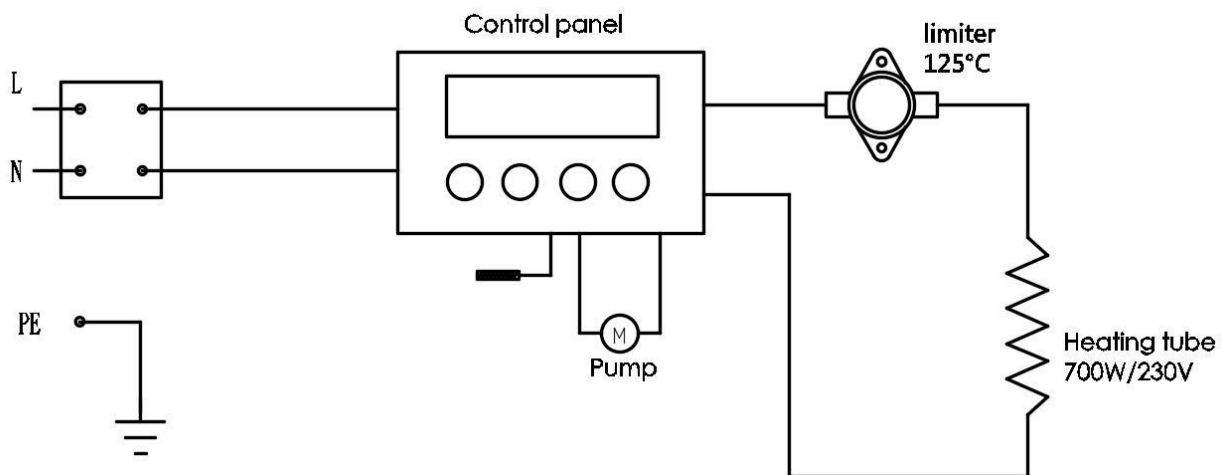
I. Instructions:

- a. Remove the package and wipe the product with wet cloth.
- b. Put the vacuum-packed food into the food shelf (adjusted according to the actual situation)
- c. Finish heating foods please turn off the power and turn on the drain valve to put out the water.

II. Technical Specification:

Model	Voltage	Power	Capacity	Control temperature Range	Product Size
SVGVA24	AC 220~240V	700W	24L	00.0~95.0°C	626*360*300

III. Electrical Diagram:



IV. Cleaning and Maintenance:

- a. Cut off the power supply before cleaning to avoid of the accident.
- b. To wipe the product and the power line with un-corrosion cleanser after used, water flush is forbidden and this would destroy the function of the product.

c. Keep the machine clean and put it in the well-ventilated, un-corrosion place when you don't use at a short time.

V. Operating Instruction:

1. "Switch" button:

1) Turn on/off the "switch" :

1. The buzzer will be "di" after connected the power supply, there is nothing display.
2. Press the "Switch" button, the machine will start to work and make a sound "di" .
3. Press the "Switch" button in any working status, the machine will close to work and make a long ring "di" .

2. The shutdown state:

No light, no anything output, under 0.5W power. Press the "Switch" button in any operating status, the machine will go into the shutdown state and make a long ring "di" .


3. The state of operating:

In the non-operating state, the machine will go into the working state after background light sparkled 5 seconds.

1) When it's in the operating state, the display will show the last setting data. If there is no any button signal within 5 seconds, it will make a ring " di" and the relay will begin to heat. In the same time, DC 12V is outputting and the water pump is beginning to operate according to the last memory setting. When the temperature reaches to the setting value, it will make a ring "di" and begin to count down.

2) Within the setting time, the temperature of machine should be kept in the setting temperature. When it reached to the setting temperature, the relay will stop heating. When it's 1°C less than the setting value, the relay will begin to heat again. The error of displaying real-time temperature and actual water temperature is not more than 1°C.

3) The water pump working is not controlled by temperature, only the time.

The "  " icon will begin to sparkle when it's under working.

4) In the process of working, you can press the "SET" button to set the temperature and time.

4. End of work:

- 1) The machine will go into the standby state after finished the timer. The heater will stop heating, the water pump will stop working, background light will sparkling and the time will show 00:00. The buzzer will make a long ring 5 times and ring again every one minute. It couldn't stop buzzing until someone press any buttons.
- 2) In the state of standby within 4 hours, it will shut off automatically and go into the state of shutdown if no one press any buttons.
- 3) To end the work artificially: Pressing the "Switch" button in the operating state, the relay and DC 12V will stop and exit to the state of shutdown.
- 4) The display is showing the actual temperature.

5. Temperature setting:

When you press the "SET" button for the first time, the 3 digits of the temperature display and the "SET" word will be sparkling. Then you can set the temperature, the range is 00.0~95.0°C and it's accurate to 0.1°C. Pressing the "▲▼" button to adjust "+/-" 0.1°C. Long pressing can adjust quickly. The longer you press, the faster you speed up the adjustment.

After finished setting the temperature, then press the "SET" button and turn to the time setting mode. The temperature setting will be saved after there is no any signal of "▲▼" button and sparkling 5 seconds.

6. Temperature display:

Actual temperature will be shown 10 seconds and it will turn to show the setting temperature around 2 seconds circularly.

7. Time setting:

When you press the "SET" button, the first 2 digits of the time display will be sparkling and you can set the hour. When you press the "SET" button, the last 2 digits of time display will be sparkling and you can set the minute.

Setting range is 00:01~99:59 hrs and it's accurate to 1 minute. Pressing the "▲▼" button to adjust "+/-" 1 hour/minute. Long pressing can adjust quickly. The longer you press, the faster you speed up the adjustment.

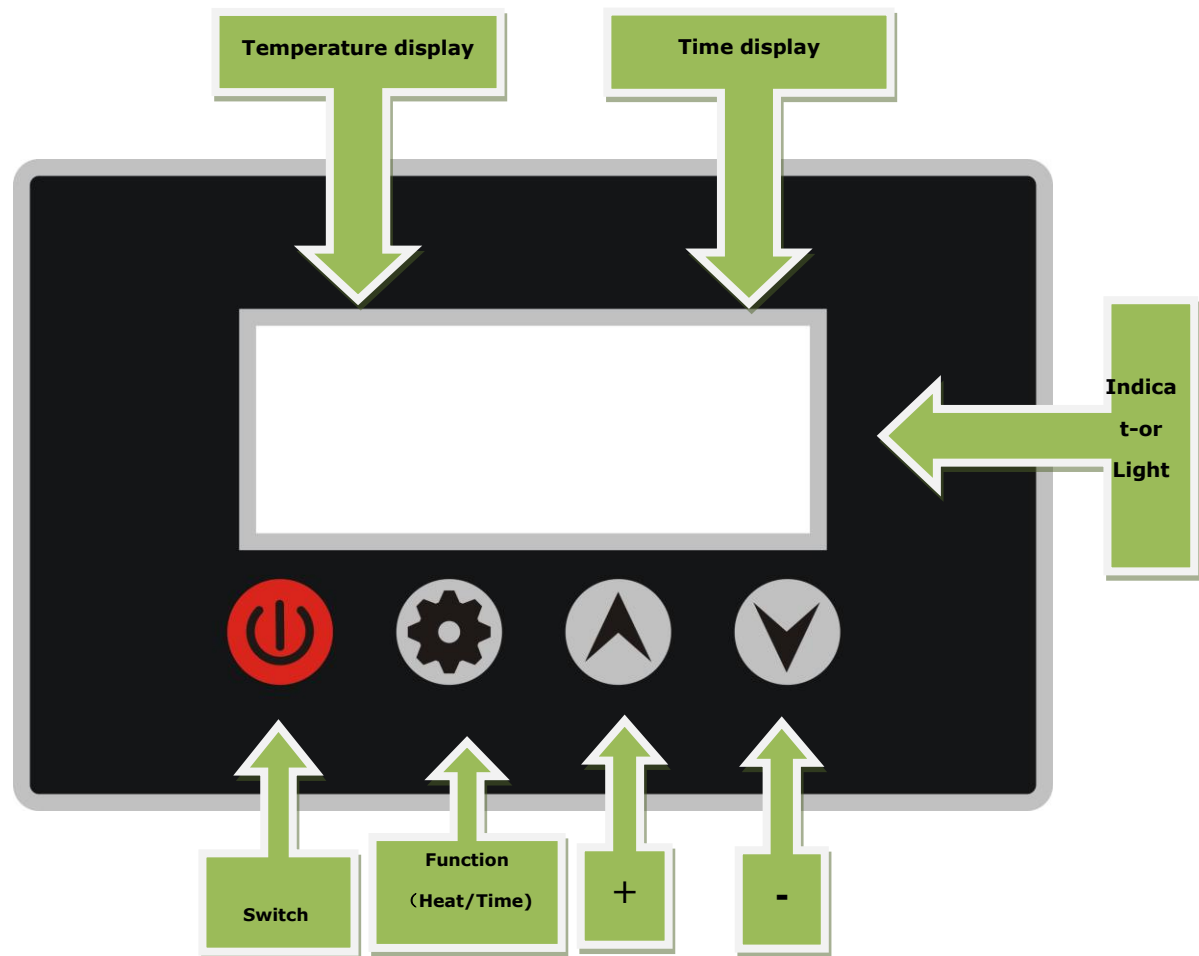
After finished setting, pressing the "SET" button again to save it. The time setting will be saved after there is no any signal of "▲▼" button and sparkling 5 seconds.

The machine will go into the operating state. In the beginning of displaying the time setting, it wouldn't count down until the temperature reach to the setting value. The "Ⓕ" on will keep to

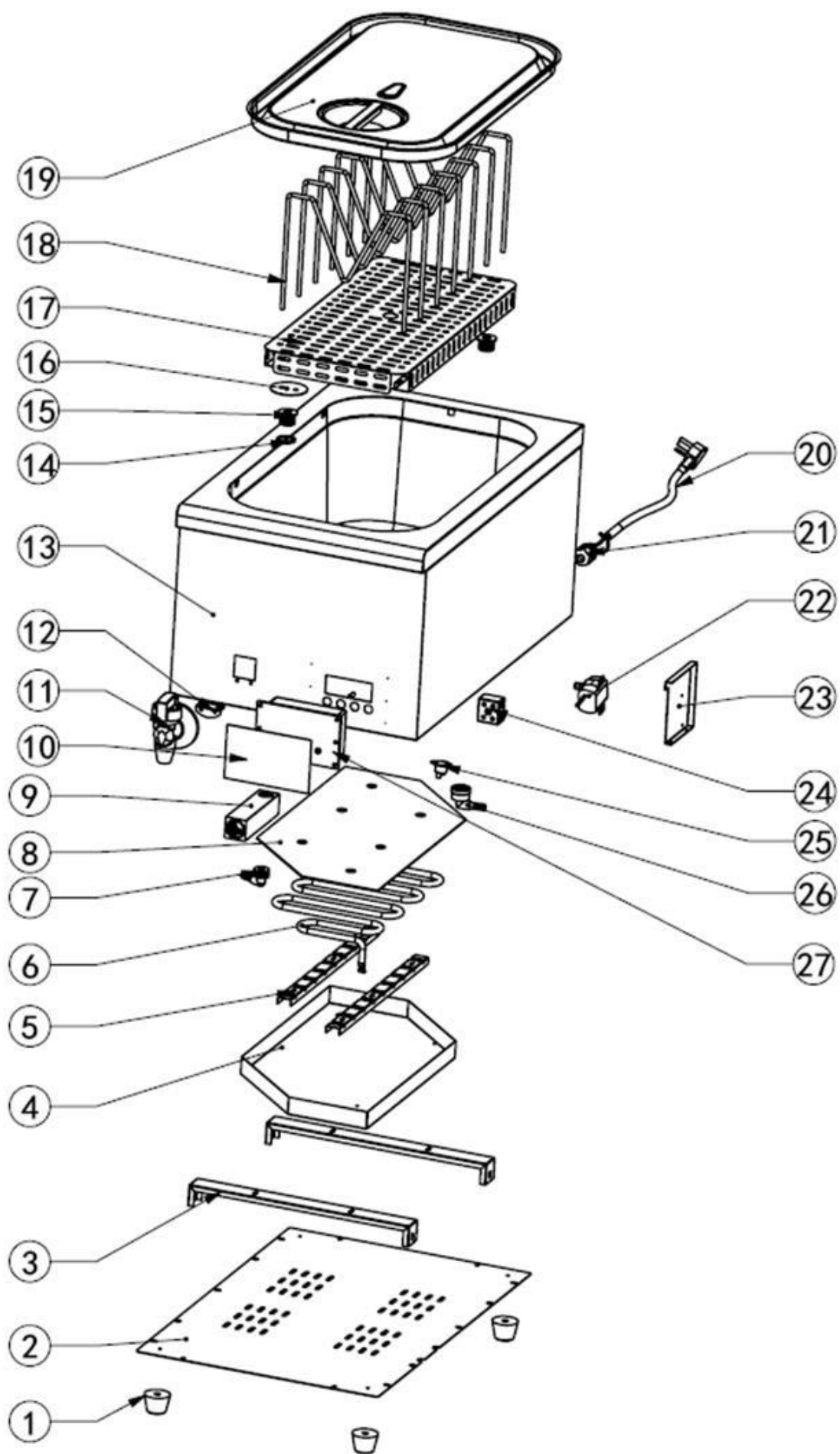
sparkle in the process of time setting.

8. Buzzing:

The buzzer will make a ring “di” with each pressing button. It will make a long ring discontinuously when it shutdown.



VI. Explode View:



No.	Name	Quantity	No.	Name	Quantity
1	Rubber feet	4	15	Outer teeth plug	2
2	Bottom plate	1	16	Oil filter	2
3	Heating element cover located block	2	17	1/1 liner plate	1
4	Heating element cover	1	18	Separating shelf	7
5	Heating element located block	2	19	1/1 Lid	1
6	Heating element	1	20	Power cable	1
7	1/2 Male pagoda-shape connector	1	21	Cable head	1
8	Aluminum plate	1	22	Pump support	1
9	Runner	1	23	Pump	1
10	Panel sticker	1	24	Terminal board	1
11	Drain valve	1	25	Cut out	1
12	Runner bracket	1	26	1/2 Female pagoda-shape connector	1
13	Tank	1	27	Control box	1
14	Rubber ring	2			