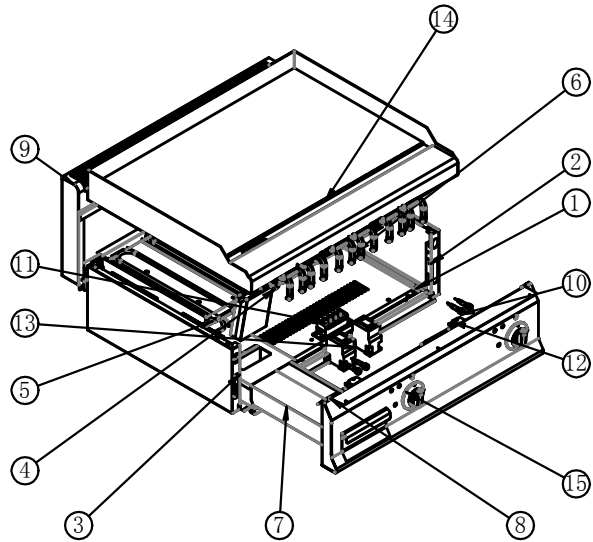


No. :	Description	Qty
1	feet	4
2	Side panel	1
3	Side panel	1
4	Fixed panel	3
5	Cover panel	6
6	Heater	6
7	Drop pan	1
8	Control panel	1
9	Outer fuel	1
10	Light (Green)	2
11	Terminal	1
12	Hi-limit	2
13	a.c. contactor	2
14	Griddle	1
15	Knob	2



GGM Model No. :EBGK66-E
 EBK66-E
 KB Model No. :TEQ-DP-600