

**Lifted Charcoal Grill Unite****CONTENTS**

---

<b>A</b>	<b>GENERAL INFORMATION</b> .....	<b>Page 2</b>
A1	PRODUCT DESCRIPTION .....	<b>Page 3</b>
<b>B</b>	<b>INSTALLATION</b> .....	<b>Page 3</b>
B1	LOCATION and ORGANIZATION .....	<b>Page 4</b>
<b>C</b>	<b>USAGE and SAFETY</b> .....	<b>Page 4</b>
C1	USER SAFETY .....	<b>Page 4</b>
C2	INSTALLATION and HOW TO USE .....	<b>Page 5</b>
<b>D</b>	<b>CLEANING, HYGIENE and STORAGE</b> .....	<b>Page 5</b>
D1	AFTER USE .....	<b>Page 6</b>
D2	STORAGE .....	<b>Page 6</b>
<b>E</b>	<b>MAINTANCE</b> .....	<b>Page 6</b>
<b>F</b>	<b>PARTS LIST and EXPLODED VIEW</b> .....	<b>Page 7</b>

## Lifted Charcoal Grill Unite

### A GENERAL INFORMATION

---

**BEFORE INSTALLATION READ CAREFULLY THE OPERATING AND MAINTANCE INSTRUCTIONS. WRONG INSTALLATION AND PARTS REPLACEMENT CAN CAUSE DAMAGE TO THE DEVICE OR USERS CAN GET INJURED. INTENDED CAUSE OF DAMAGE TO THE DEVICE, NEGLIGENCE, DISOBEYING THE INSTRUCTIONS AND DIRECTING AND ANY DAMAGE AND INJURY CAUSED OF THIS CAN NOT BE HELD RESPONSIBLE TO THE MANUFACTURER. UNAUTHORIZED INTERVENTION WILL INVALID THE WARRANTY.**

1. Keep this booklet in a safe and reachable place so that future operators can use it in case of need.
2. **The device installation should be done by authorised personel conform the instructions of the country the device is installed.**
3. This device should be operated by personel that has been educated.
4. At malfunctioning stop the device and call only authorised technicians for help. Only use original spare parts.

## Lifted Charcoal Grill Unite

### A1 PRODUCT DESCRIPTION

Lifted charcoal grill is designed for cooking meat.

This professional device provides efficiency in dining halls and restaurants.

Code	Dimensions(mm)	Weight (kg)	Grid (mm)
<b>HKGLE80</b>	940x800x900	160	660x530
<b>HKGLE120</b>	1340x800x900	226	1060x530

### B INSTALLATION



#### WARNING!!!

\*This lifted charcoal grill is for professional use and for safety this device should be operated by personnel that has been educated for cleaning and maintenance.

\* Use the device in well lighted facilities. (for applicability country look at the technical directing.)

\*Using the device be careful for moving parts.it could cause injury.

\*don't use the device nearby explosive materials.

### B1 LOCATION and ORGANIZATION

\* Put the lifted charcoal grill on a flat and solid floor and take the necessary precaution against the risk of tip over.

## Lifted Charcoal Grill Unite

### C USAGE and SAFETY

---



#### **WARNING !!**

- Clean the oven before using the first time.
- When igniting the charcoal always use safety.
- By-passing or disrupting the safety systems can cause damage and injuries!!!!
- Before every use always check the safety equipments.
- For health and safety use an headscarve operating the device.

**CAUTION: At use, cleaning and maintance there is always a risk getting injured. Never use force, always follow the instruction rules and use safety equipments.**

### C1 USER SAFETY

---

- No burned leftover charcoal in the oven at no operating .
- Using safety equipments during the cooking.,
- Also Using safety equipments during the cooking with optionel ovens
- Following the instructions garantees the operating, cleaning and maintaining the device.

## Lifted Charcoal Grill Unite

### C2 INSTALATION and HOW TO USE

---



We are suggesting to use press briquettes charcoal for good performance and efficiency.

#### Usage;

- Put enough charcoal on casting grill
- Select the accessory according to the product you want to cook and place it on the appliance.
- Manually burn the coal you put on the device.
- After igniting the charcoal manually close the front lid.
- You can open the air inlet at the front bottom by pulling the shaft what resumes in a faster fireup.
- Wait until the charcoal is burned complete.
- When the burning is complete you will have to regulate the temperature by adjusting the hood lid.
- You can see the temperature level in the device watching the thermometer on top of it.
- When the desired temperature is reached, put the product in to the oven.
- Use the right equipments for turning the products.
- After grilling is done, clean the grid of the device.
- Wait until the charcoal is completely burned out and empty it after every use.

### D CLEANING, HYGIENE and STORAGE

---

#### WARNING !!!



Before disassembling a part be sure there is no heat remaining in the device.  
Before every cleaning read carefully the cleaning products instructions and safety regulations. Do not clean with pressurised cleaning equipments.  
Always be careful when touching the device and not get burning injuries.

## Lifted Charcoal Grill Unite

### D1 AFTER USE

---

- Clean the dismantelable parts in a hot tub with disinfectant oil solvent detergent.
- Clean the outhter surface of the oven with a damp cloth.
- Don't clean the oven with acid and derivative products.
- Don't clean the oven with pressurized water.(the coal drawer can get water)
- Clean the grid in a hot tub with disinfectant oil solvent detergent.

### D2 STORAGE

---

After cleaning keep the dismantelable parts at a safe place.

If the meat is not grilled with enough get in touch with your local distribütör.

### E MAINTANCE

---

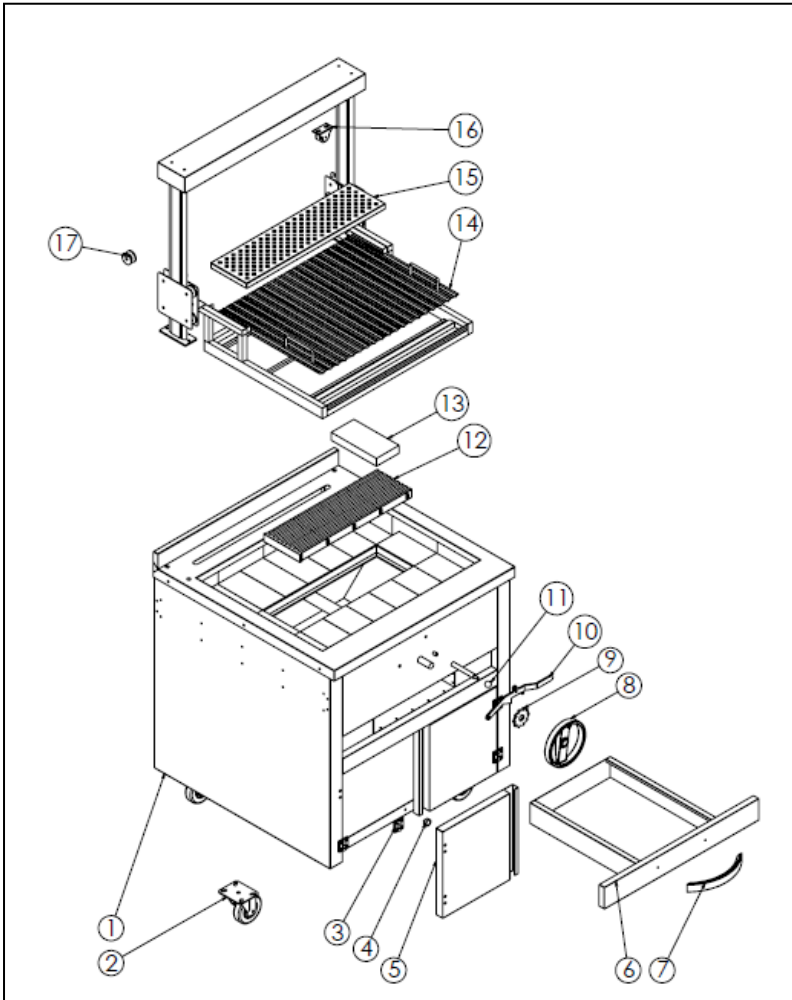
Maintance can be only done by qualified, educated and autorized personel.

#### **Maintance**

- The hood, it's filters and air flaps need to be checked and cleaned .

# Lifted Charcoal Grill Unite

## F PARTS LIST and EXPLODED VIEW



HKGLE80

## Lifted Charcoal Grill Unite

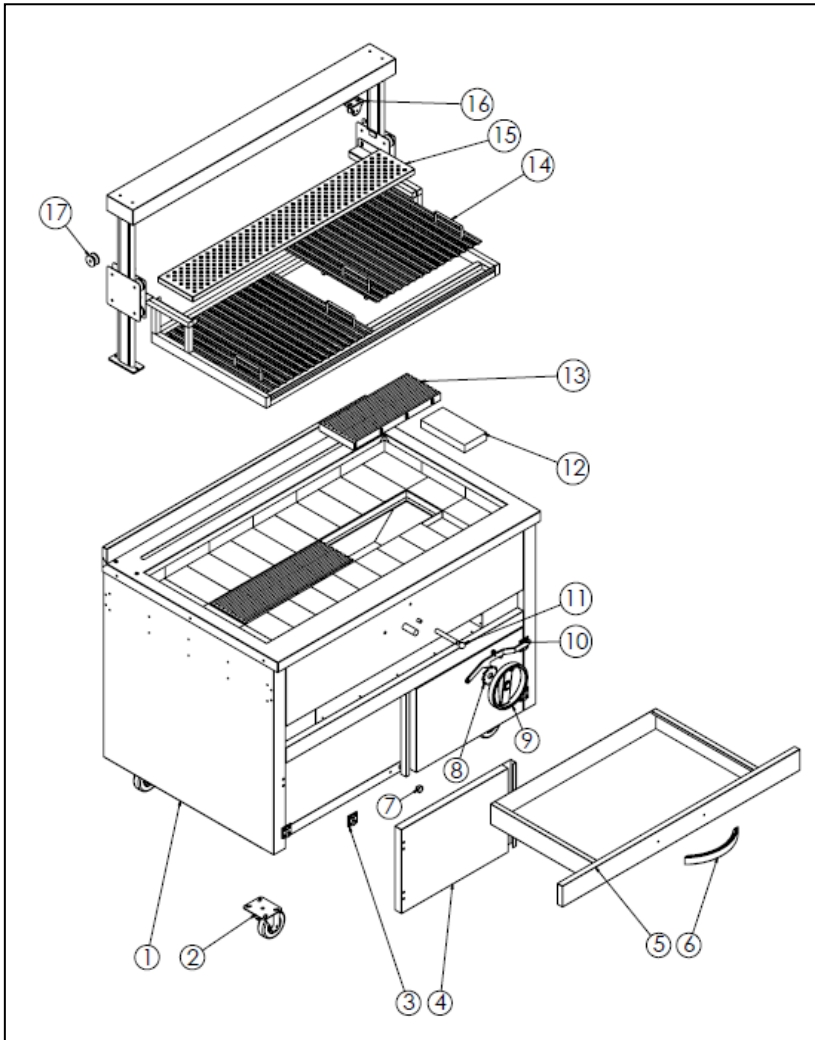
## F PARTS LIST and EXPLODED VIEW

PRODUCT CODE: HKGLE80		
NO	PRODUCT NAME	PRODUCT CODE
1	BASE FRAME	Y.HKGLE80.001
2	TABLE WHEEL WITH BREAK	Y.HKGLE80.002
3	HINGE	Y.HKGLE80.003
4	MAGNET	Y.HKGLE80.004
5	COVER	Y.HKGLE80.005
6	DRAWER	Y.HKGLE80.006
7	DRAWER HANDLE	Y.HKGLE80.007
8	FLYWHEEL	Y.HKGLE80.008
9	FLYWHEEL GEAR	Y.HKGLE80.009
10	FLYWHEEL GEAR ARM	Y.HKGLE80.010
11	KNOB	Y.HKGLE80.011
12	CASTING	Y.HKGLE80.012
13	HEAT STONE	Y.HKGLE80.013
14	GRILL	Y.HKGLE80.014
15	REST SHEET	Y.HKGLE80.015
16	40 MM ROLLER WITH CAP	Y.HKGLE80.016
17	40 MM ROLLER	Y.HKGLE80.017



## Lifted Charcoal Grill Unite

## F PARTS LIST and EXPLODED VIEW



HKGLE120

## Lifted Charcoal Grill Unite

## F PARTS LIST and EXPLODED VIEW

PRODUCT CODE: HKGLE120		
NO	PRODUCT NAME	PRODUCT CODE
1	BASE FRAME	Y.HKGLE120.001
2	TABLE WHEEL WITH BREAK	Y.HKGLE120.002
3	HINGE	Y.HKGLE120.003
4	COVER	Y.HKGLE120.004
5	DRAWER	Y.HKGLE120.005
6	DRAWER HANDLE	Y.HKGLE120.006
7	MAGNET	Y.HKGLE120.007
8	FLYWHEEL GEAR	Y.HKGLE120.008
9	FLYWHEEL	Y.HKGLE120.009
10	FLYWHEEL GEAR ARM	Y.HKGLE120.010
11	KNOB	Y.HKGLE120.011
12	HEAT STONE	Y.HKGLE120.012
13	CASTING	Y.HKGLE120.013
14	GRILL	Y.HKGLE120.014
15	REST SHEET	Y.HKGLE120.015
16	40 MM ROLLER WITH CAP	Y.HKGLE120.016
17	40 MM ROLLER	Y.HKGLE120.017