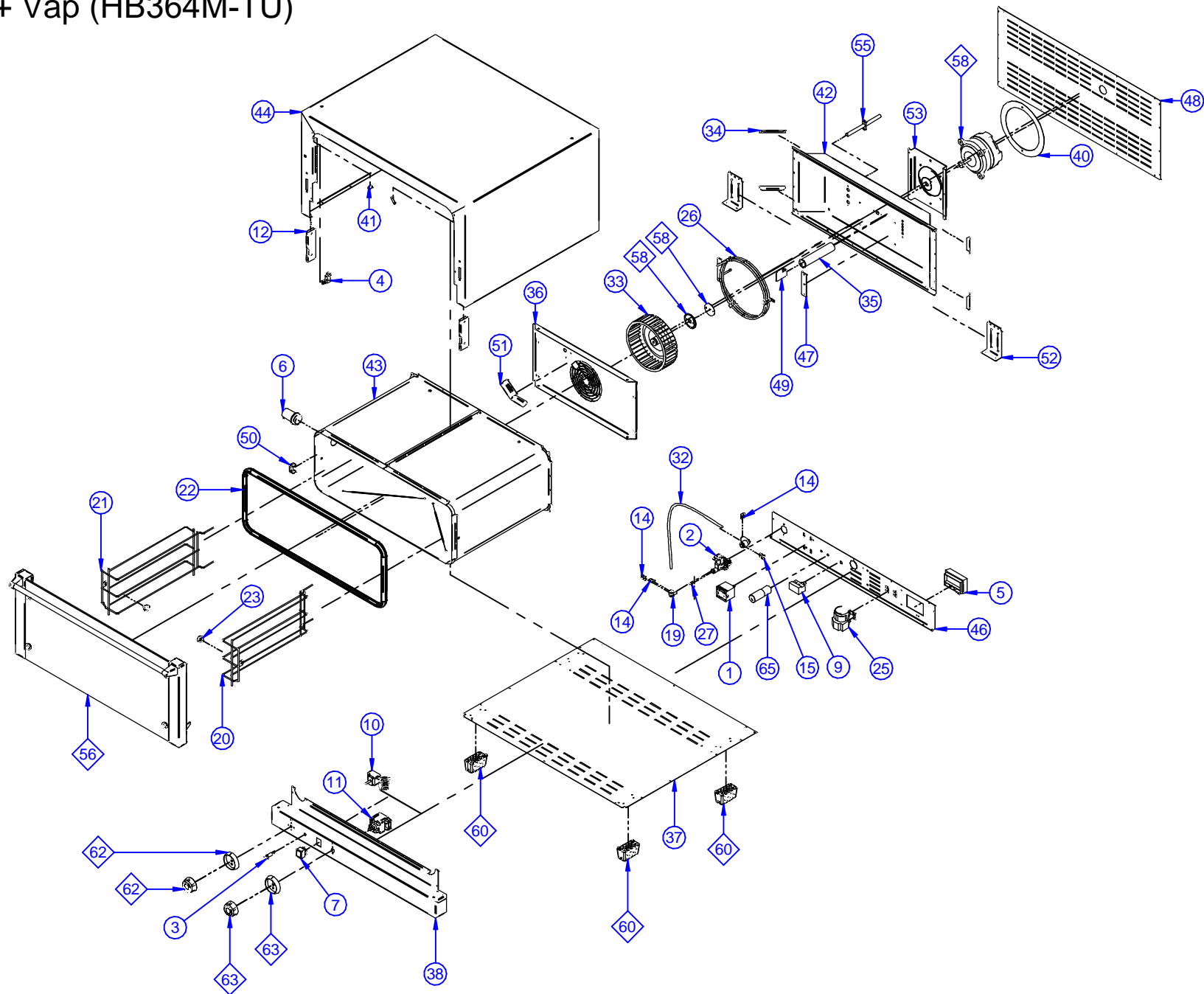


Esploso Forno 364/12 + Vap (HB364M-TU)

Exploded View 364/12 + Vap (HB364M-TU)

Particolare
Single Item

Kit



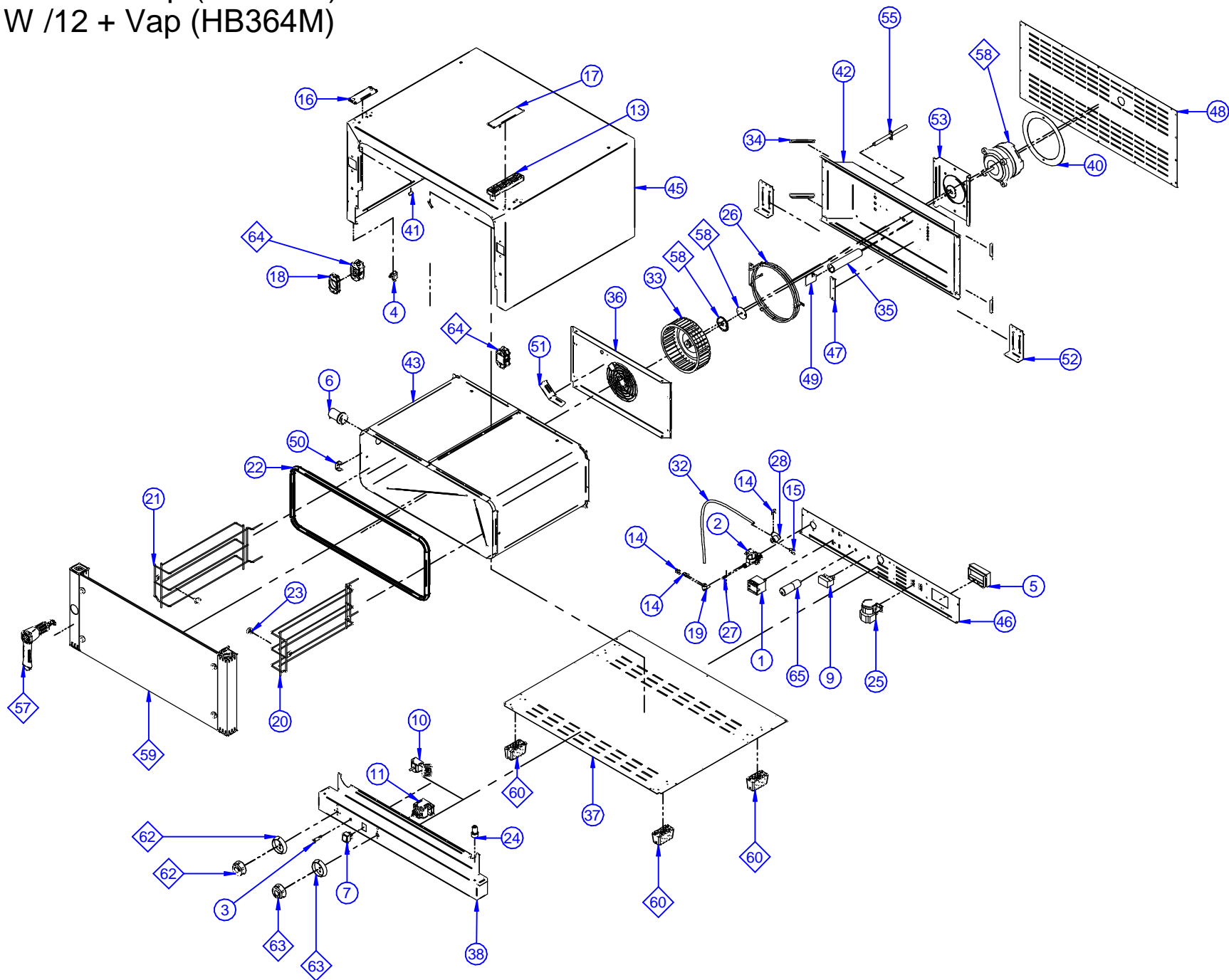
Esplosio Forno 364 W /12 + Vap (HB364M)

Exploded View 364 W /12 + Vap (HB364M)

Particolare
Single Item



Kit



Esploso Forno 364 W /12 - 99P (HB364)

Exploded View 364 W /12 - 99P (HB364)

Particolare
Single Item



Kit

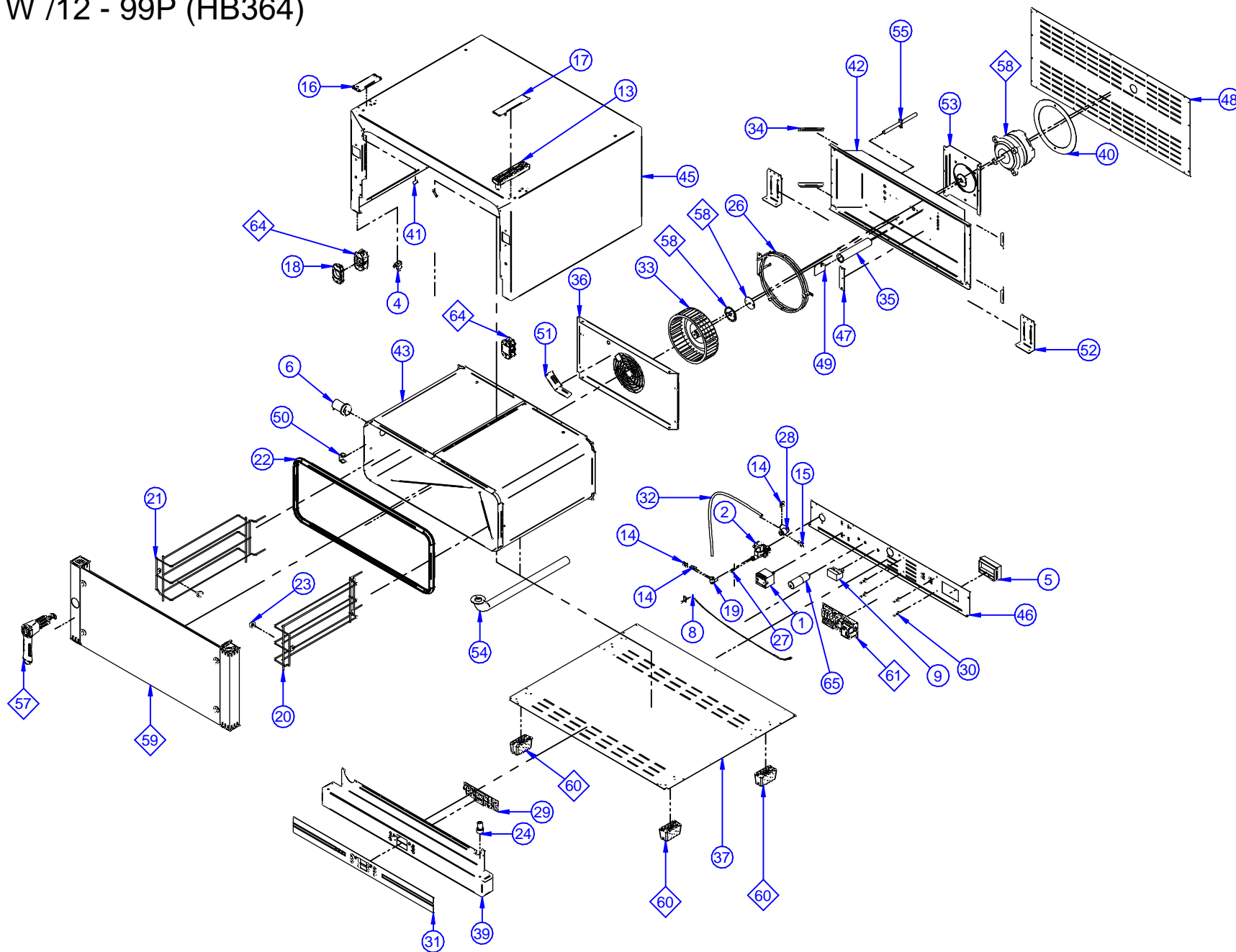


Tabella Componenti 364/12

N.	Codice	Titolo	Description	Descripció	Descriptiò	Beschreibung	Q.
1	113000003	CONTATT.MIN.B6-40-00 COD.ABB EL413 1	Minicontactor B6-40-00 COD.ABB EL4131	Minicontactor B6-40-00 COD.ABB EL4131	Mini-contacteur B6-40-00 COD.ABB EL4131	Minischütz B6-40-00 COD.ABB EL4131	1
2	120800011	Elettrovalvola 230V 1 Uscita JG Ruotata	Solenoid valve 230V 1 JG turned outlet	Electroválvula 230V 1 Salida JG rotada	Électrovanne 230V 1 Sortie JG pivotante	Magnetventil 230V 1 Ausgang JG Gedreht	1
3	149000000	Luce Spia Verde 36 COM	Green Warning Light 36 COM	Luz Indicador Verde 36 COM	Voyant Vert 36 COM	Grüne Kontrollampe 36 COM	1
4	151600000	Microinterruttore Crouzet SP9603	Microswitch Crouzet SP9603	Microinterruptor Crouzet SP9603	Microrupteur Crouzet SP9603	Mikroschalter Crouzet SP9603	2
5	153000002	MORSETTIERA PA 223S T110°C 450V 40A 6Q	JUNCTION BOX PA 223S T110°C 450V 40A 6Q	BORNERA PA 223S T110°C 450V 40A 6Q	BOITE A BORNES PA 223S T110°C 450V 40A 6Q	KLEMMKASTEN PA 223S T110°C 450V 40A 6Q	1
6	166400007	PORTALAMPADA BJB 90° MOD.77.222.U019.10	LAMPHOLDER BJB 90° MOD.77.222.U019.10	PORTALAMPARA BJB 90° MOD.77.222.U019.10	PORTELAMPE BJB 90° MOD.77.222.U019.10	LAMPEHALTER BJB 90° MOD.77.222.U019.10	1
7	167600000	Pulsante nero 16A	Black button 16A	Botón negro 16A	Touche noire 16A	Schwarze Taste 16A	1
8	179603040	Sonda Temperatura SON1K1000ACZA	Temperature check probe SON1K1000ACZA	Sonda Temperatura SON1K1000ACZA	Sonde Temperature SON1K1000ACZA	Temperaturfühler SON1K1000ACZA	1
9	182500029	Termostato di Sicurezza 16A 250V t335° CT150	Safety thermostat 16A 250V t335° CT150	Termostato de seguridad 16A 250V t335° CT150	Thermostat de sécurité 16A 250V t335° CT150	Sicherheitsthermostat 16A 250V t335° CT150	1
10	182500044	Termostato 300° TUVST T150° 50-270°C	Thermostat 300° TUVST T150° 50-270°C	Termostato 300° TUVST T150° 50-270°C	Thermostat 300° TUVST T150° 50-270°C	Thermostat 300° TUVST T150° 50-270°C	1
11	183000010	TEMPORIZZATORE INVENSYS	INVENSYS TIMER	TEMPORIZADOR INVENSYS	TEMPORISATEUR INVENSYS	SCHALTUHR INVENSYS	1
12	311000010	Scrocco	Lock housing	Alojamiento cerradura	Logement serrure	Schlossgehäuse	2
13	311007030	Cerniera Porta Superiore	Upper door hinge	Bisagra puerta superior	Charnière porte supérieure	Oberes Türscharnier	1
14	312000020	Clip Blocca Pinzetta 8 JG PMC1808R	8 JG Pliers Locking Clip PMC1808R	Clip bloqueo pinza 8 JG PMC1808R	Clip 8 JG PMC1808R	Klammer Pinzettenbefestigung 8 JG PMC1808R	3
15	312000021	Clip Blocca Pinzetta 12 JG PIC1816R	12 JG Pliers Locking Clip PIC1816R	Clip bloqueo pinza 12 JG PIC1816R	Clip 12 JG PIC1816R	Klammer Pinzettenbefestigung 12 JG PIC1816R	1
16	313207025	Coperchio Fori Cerniera	Hinge slot cover	Tapa orificios bisagra	Couvercle orifices charnière	Abdeckung Scharnierbohrungen	1
17	313207035	Coperchio Cerniera Porta Superiore	Upper door hinge cover	Tapa bisagra puerta superior	Couvercle chanière porte supérieure	Abdeckung oberes Türscharnier	1
18	315703260	Distanziale Serratura	Right lock	Cerradura dcha.	Serrure droite	Re. Schloss	1
19	331300020	Gomito con codolo JG 8-8 PM220808E	Elbow with shank JG 8-8 PM220808E	Codo JG 8-8 PM220808E	Coude à cône JG 8-8 PM220808E	Bogen mit Schaft JG 8-8 PM220808E	1
20	331603120	GRIGLIA PORTATEGLIE DX	Right trays-holder grid	GRILLA PORTABANDEJAS DERECHA	GRILLE PORTEPLAQUES DROIT	GITTER BLECHHALTER RECHTS	1

Tabella Componenti 364/12


N.	Codice	Titolo	Description	Descripcìon	Descripcìon	Beschreibung	Q.
21	331603121	GRIGLIA PORTATEGLIE SX	Left trays-holder grid	GRILLA PORTABANDEJAS IZQUIERDA	GRILLE PORTEPLAQUES GAUCHE	GITTER BLECHHALTER LINKS	1
22	331807020	Guarnizione	Chamber gasket	Junta cámara	Joint chambre	Abdichtung Garraum	1
23	351600007	Manopola Zigrinata M5	Knurled knob M5	Mando estriado M5	Manette crénelée M5	Rändeldrehknopf M5	2
24	364103260	Perno Porta Inferiore	Lower door hinge	Bisagra puerta inferior	Charnière porte inférieure	Unteres Türscharnier	1
25	366900005	PROGRAMMATORE A CAMME P19/17 230/50 art. P195J02H617	CAMS PROGRAMMER P19/17 230/50 art. P195J02H617	PROGRAMMADOR A LEVAS P19/17 230/50 art. P195J02H617	PROGRAMMEUR A' CAMMES P19/17 230/50 art. P195J02H617	KAMMPROGRAMMER P19/17 230/50 art. P195J02H617	1
26	373500041	Resistenza Bistrot 464 230V 3100W	Bistrot 464 heating element 230V 3100W	Resistencia Bistrot 464 230V 3100W	Résistance Bistrot 464 230V 3100W	Heizwiderstand Bistrot 464 230V 3100W	1
27	374000008	Riduttore Di Portata Verde RPE	Flow reducer green RPE	Reductor de flujo verde RPE	flux réducteur vert RPE	Grüner Zuflussuntersetzer RPE	1
28	374000020	Riduzione a Gomito JG 12/8 PM211208E	Elbow adaptor JG 12/8 PM211208E	Codo reductor JG 12/8 PM211208E	Raccord coudé de réduction JG 12/8 PM211208E	Bogenreduzierung JG 12/8 PM211208E	1
29	378603041	Scheda Disolay Orizzontale PM021_A01	Horizontal Display Board PM021_A01	Tarjeta Display Horizontal PM021_A01	Fiche Affichage Horizontal PM021_A01	Horizontale Displaykarte PM021_A01	1
30	381000003	Supporto Plastica MPDSDST2SIY00 8mm	Plastic support MPDSDST2SIY00 8mm	Soporte plástico MPDSDST2SIY00 8mm	Support en plastique MPDSDST2SIY00 8mm	Kunststoffhalterung MPDSDST2SIY00 8mm	4
31	382003040	Targa Adesiva Cruscotto Bistrot/12 99 P	Adhesive Plate Instrument Board Bistrot /12 99 P	Placa Adhesiva Tablero Bistrot/12 99 P	Plaque Adhésive Tableau Bistrot /12 99 P	Aufkleber Schaltbrett Bistrot/12 99 P	1
32	385500020	Tubo Pe Trasparente JG 8x6 PE-006-100M-N	Transparent PE Pipe JG 8x6 PE-006-100M-N	Tubo Pe trasparente JG 8x6 PE-006-100M-N	Tube Pe transparent JG 8x6 PE-006-100M-N	Transparenter PE-Schlauch JG 8x6 PE-006-100M-N	1
33	391500016	Ventola Pale Dritte VE14582 Diametro 200x61	Straight blade fan VE14582 Diameter 200x61	Ventilador palas rectas VE14582 Diámetro 200x61	Vanne à pales droites VE14582 Diamètre 200x61	Gebhlase gerade Schaufeln VE14582 Durchmesser 200x61	1
34	503003220	Angolare Camera di Cottura	Baking Chamber Angles	Ángular cámara de Cocción	Cornière Chambre de Cuisson	Winkelstahl Kochkammer	4
35	510503023	Camino Scarico	Chimney Exhaust	Chimenea Salida	Cheminée Échappement	Kamin Abdampf	1
36	513003120	Convogliatore Aria	Air conveyor	Direccionador aire	Convoyeur d'air	Luftführung	1
37	513003221	Copertura Fondo	Bottom Cover	Cobertura Hondo	Couverture Fond	Bodendeckel	1
38	513303220	Cruscotto	Instrument Board	Tablero	Tableau	Schaltbrett	1
39	513303240	Cruscotto 100P	Instrument Board 100 P	Tablero 100 P	Tableau 100 P	Schaltbrett 100 P	1
40	524003220	Fermo Lana	Wool Stop	Firme Lana	Arrêt Laine	Wollehaltevorrichtung	1
41	524503020	Fissaggio Angoli Mantello	Shell corners fastening	Fijación Ángulos Cobertura	Fixation angles Bâche	Mantelecken Befestigung	4
42	525803120	Fondo Camera di Cottura	Baking Chamber Bottom	Hondo Cámara de Cocción	Fond Chambre de Cuisson	Kochkammerboden	1

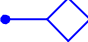
Tabella Componenti 364/12

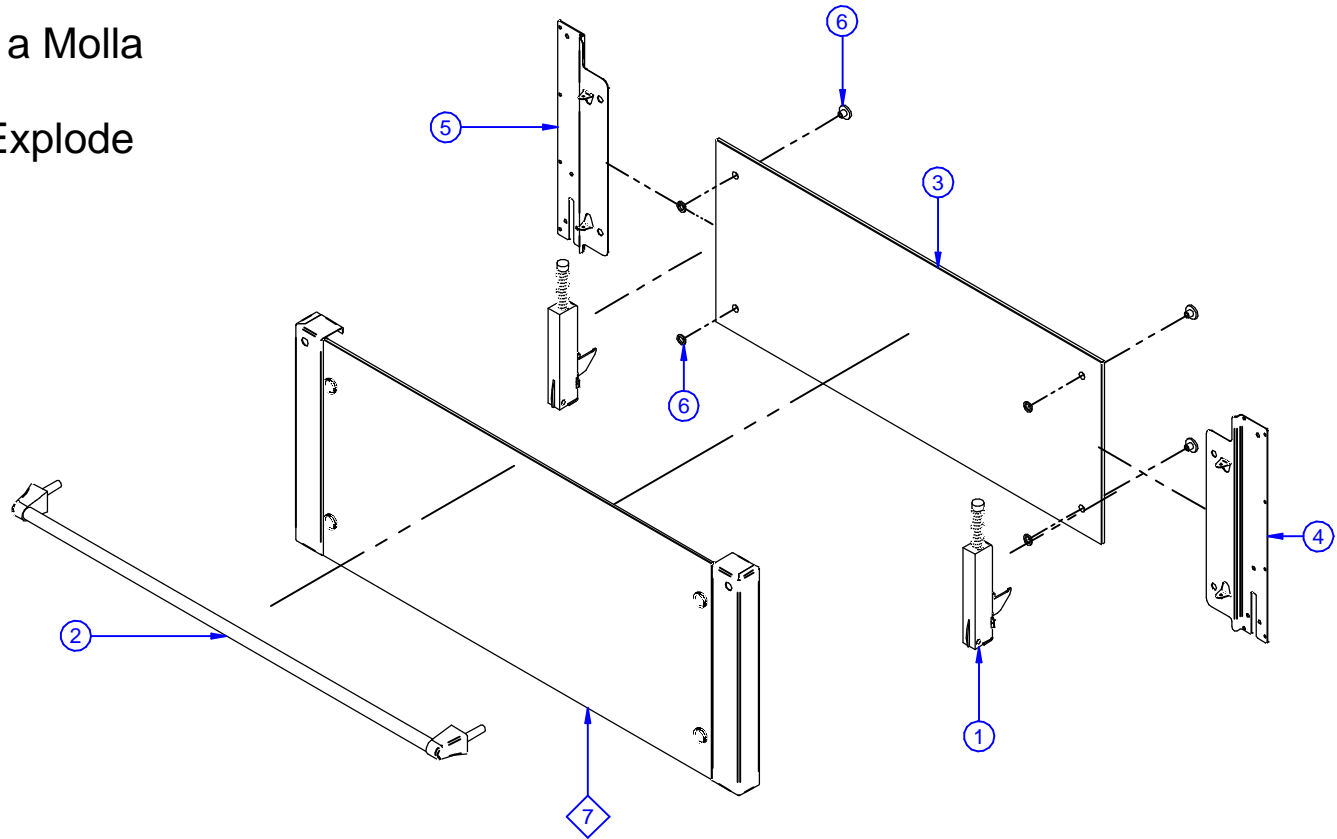
N.	Codice	Titolo	Description	Descripcìon	Descriptiòn	Beschreibung	Q.
43	537003120	Involucro Camera di Cottura	Baking Chamber Casing	Involucro Cámara de Cocción	Bâche Chambre de Cuisson	Kochkammerhülle	1
44	551603120	Mantello Cerniera a Molla	Spring Hinge Shell	Cobertura Bisagras a Muelle	Bâche Charnière Ressort	Mantel Federscharnier	1
45	551603160	Mantello	Shell	Cobertura Horno	Bâche	Mantel	1
46	563603220	Pannello Impianto Elettrico	Wiring Panel	Panel Instalación Eléctrica	Panneau installation électrique	Elektrische Anlage	1
47	564803120	Piastrina Copri Fori Resistenza	Hole Cover Plate for Heating Element	Plaqueta para Cobrir Agujeros Resistencia	Plaquette Couvre-Trous Résistance	Löcherdeckelplatte Heizwiderstand	1
48	573503120	Retro Forno	Oven Back	Trasera horno	Arrière four	Ofenrückseite	1
49	579203120	Separatore Camino	Chimney Spacer	Separador chimenea	Séparateur Cheminée	Kaminseparator	1
50	580303220	Squadretta portabulbi	Bulbs-holder Bracket	Esquadra Portabulbos	Équerre Porteboules	Kolbenhalterwinkel	1
51	580306500	Squadretta spruzzatore	Spray nozzle bracket	Escuadra rociador	Équerre vaporisateur	Winkelplatte Sprühdüse	1
52	581003222	Supporto Camera	Chamber Support	Soporte Cámara	Support Chambre	Kammerhalter	2
53	581003223	Supporto Motori	Motor support	Support moteurs	Soporte motores	Motoren halterung	1
54	585503120	Tubo Scarico 100 P.	Exhaust Pipe 100 P.	Tubo Salida 100 P.	Tuyau Échappement 100 P	Abdampsrohr 100 P	1
55	585503220	Tubo Ingresso Acqua	Water inlet pipe	Tubo entrada agua	Tuyau d'entrée de l'eau	Wassereinlaufrohr	1
56	710503120	Kit Porta Completa Cerniere a Molla	Complete Door Kit With Spring Hinges	Kit Puerta Completa Bisagras a Muelle	Kit Porte Complète Charnières Ressort	Kit komplette Tür Federscharniere	1
57	751607900	Kit Maniglia Serie Star	Handle Serie Star Kit	Kit Tirador Serie Star	Kit Poignée Serie Star	Griff Kit Serie Star	1
58	753000035	Kit Motore MOD 3003 Serie Star	Motor Kit MOD 3003 Serie Star	Kit Motor MOD 3003 Serie Star	Kit Moteur MOD 3003 Serie Star	Motor Kit MOD 3003 Serie Star	1
59	753103160	Kit Porta Completa Maniglia in Plastica	Complete Door Kit With Plastic Handle	Kit Puerta Completa Tirador en Plástica	Kit Porte Complète Poignée Plastique	Kit komplette Tür Kunststoffgriff	1
60	764507020	Kit 4 Piedini di Supporto Forno	Oven 4 feet kit	Kit 4 Patas soporte	Kit 4Pieds de support	Kit 2 Ofenstützfüße	1
61	778603040	Kit Centralina M023_1 e Connettori	Control Unit M023_1 and Connectors Kit	Kit Centralita M023_1 y Conectores	Kit Centrale M023_1 et Connecteurs	Kit Zentrale M023_1 und Verbinder	1
62	779103020	Kit Manopola Temperatura 260 °C	Kit Temperature Knob 260°C	Kit Mando Temperatura 260 °C	Kit Manette Temperature 260 °C	Kit Drehknopf Temperatur 260°C	1
63	779103220	Kit Manopola Tempo Log. 120 min	Kit Time Log. Knob 120 min.	Kit Mando Tiempo Log. 120 min	Kit Manette Temps 120 min	Kit Drehknopf Zeit 120 Min	1
64	779207030	Kit Serrature in Plastica	Plastic lock Kit	Kit Cerradura de plástico	Kit Serrure en plastique	Schlösserkit aus Kunststoff	1
65	Commerciale	Condensatore 5mF Ducati Energia	Condenser 5mF Ducati Energia	Condensador 5mF Ducati Energia	Condensateur 5mF Ducati Energie	Kondensator 5mF Ducati Energie	1

Esploso Kit Porta Completa Cerniere a Molla 364/12

Sprigs Hinges Door Kit Best 364/12 Explode View

Particolare
Single Item 

Kit 



Componenti Kit Porta Cerniere a Molla							
N.	Codice	Titolo	Description	Descripcìon	Description	Beschreibung	Q.
1	311000011	Cerniera a Molla 364-12 Mod_88	Spring Hinges 364-12 Mod_88	Bisagra a Muelle 364-12 Mod_88	Charnière Ressort 364-12 Mod_88	Federscharnier 364-12 Mod 88	2
2	351604525	Maniglia 464_466	Handle 464-466	Tirador 464-466	Poignée 464-466	Griff 464-466	1
3	391503125	Vetro Interno	Internal glass	Vidrio interno	Vitre interne	Innenglas	1
4	581003120	Supporto Vetri DX Cerniere a Molla	Right Glass Support Spring Hinges	Soporte Vidrios DER Bisagras a Muelle	Support Vitres Droit Charnières Ressort	Halter rechte Gläser Federscharnier	1
5	581003121	Supporto Vetri SX Cerniere a Molla	Left Glass Support Spring Hinges	Soporte Vidrios IZQ Bisagras a Muelle	Support Vitres Gauche Charnières Ressort	Halter linke Gläser Federscharnier	1
6	743600010	Kit Montaggio Vetro	Assembly Glass Kit	Kit Montaje vidrio	Kit Assemblée vitre	Montage Kit Glases	1
7	791503120	Kit Vetro Esterno 364-12 Cerniere a Molla	External Glass Kit 364-12 Spring Hinges	Kit Vidrio Externo 364-12 Bisagras a Muelle	Kit Vitre externe 364-12 Charnières Ressort	Kit Aussenglas 364-12 Federscharnier	1

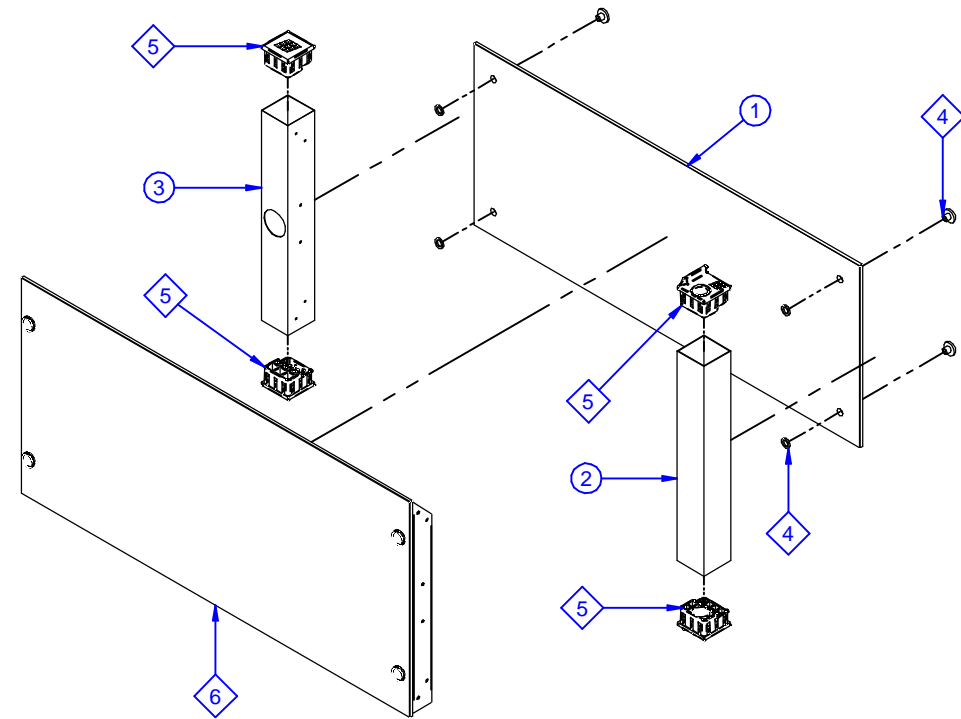
Esploso Kit Porta Completa Maniglia in Plastica 364 W /12

Plastic Handle Door Kit 364 W /12 Exploded View

Particolare
Single Item



Kit



Componenti Kit Porta Maniglia in Plastica							
N.	Codice	Titolo	Description	Descripción	Description	Beschreibung	Q.
1	391503125	Vetro Interno	Internal glass	Vidrio interno	Vitre interne	Innenglas	1
2	553103160	Montante Porta Lato Cerniere	Door upright on hinge side	Montante puerta lado bisagras	Montant porte côté charnière	Türholm scharnierseitig	1
3	553103161	Montante Porta Maniglia in Plastica	Door upright on plastic handle side	Montante puerta lado tirador plástico	Montant porte côté poignée en plastique	Türholm Kunststoffgriffseite	1
4	743600010	Kit Montaggio Vetro	Assembly Glass Kit	Kit Montaje vidrio	Kit Assemblée vitre	Montage Kit Glases	1
5	782007020	Kit Tappi Porta Serie Star	Door plugs Serie Star Kit	Kit Tapón puerta Serie Star	Kit Cache porte Serie Star	Türabdeckkappe Kit Serie Star	1
6	791503121	Kit Vetro Esterno 364 W -12	External Glass Kit 364 W-12	Kit Vidrio Externo 364 W-12	Kit Vitre externe 364 W-12	Kit Aussenglas 364 W-12	1

