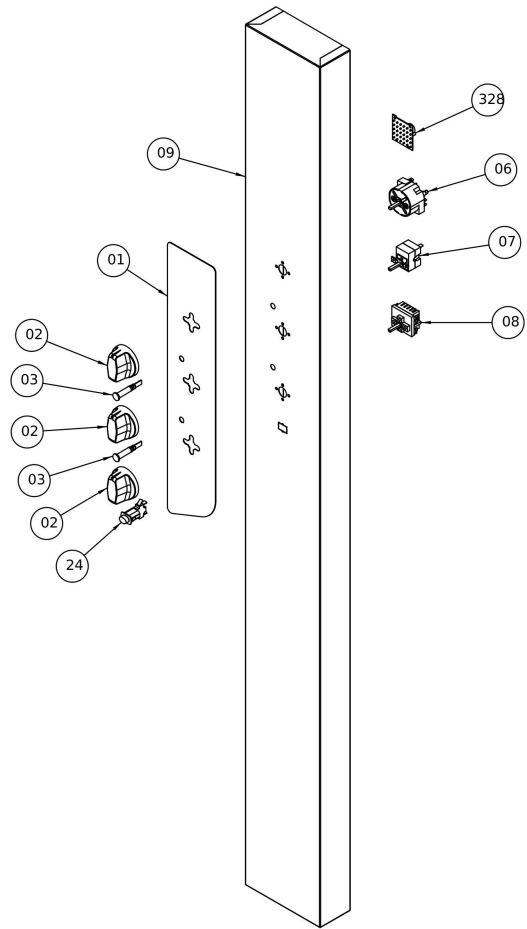


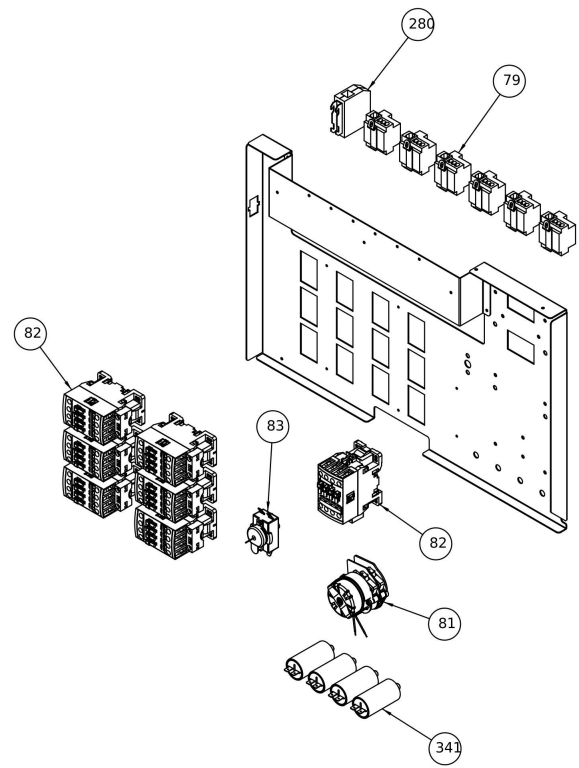
Index

Frontal panel	2
Electrical box	4
Door	6
Oven body	8
Cooking chamber	10

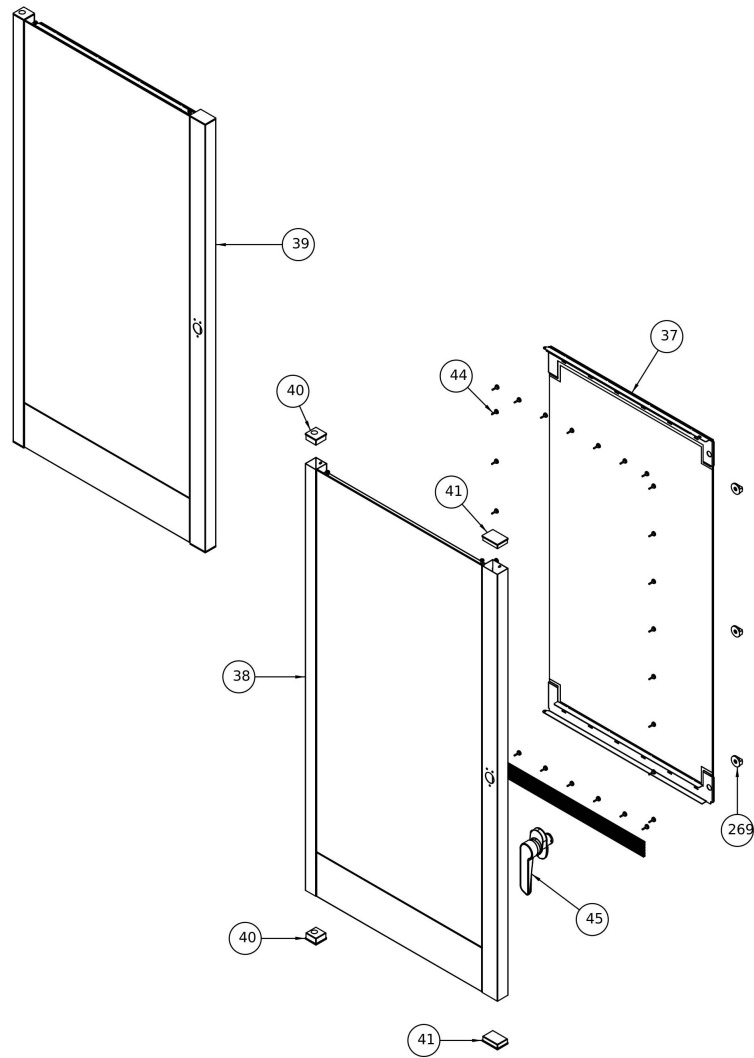


Frontal panel

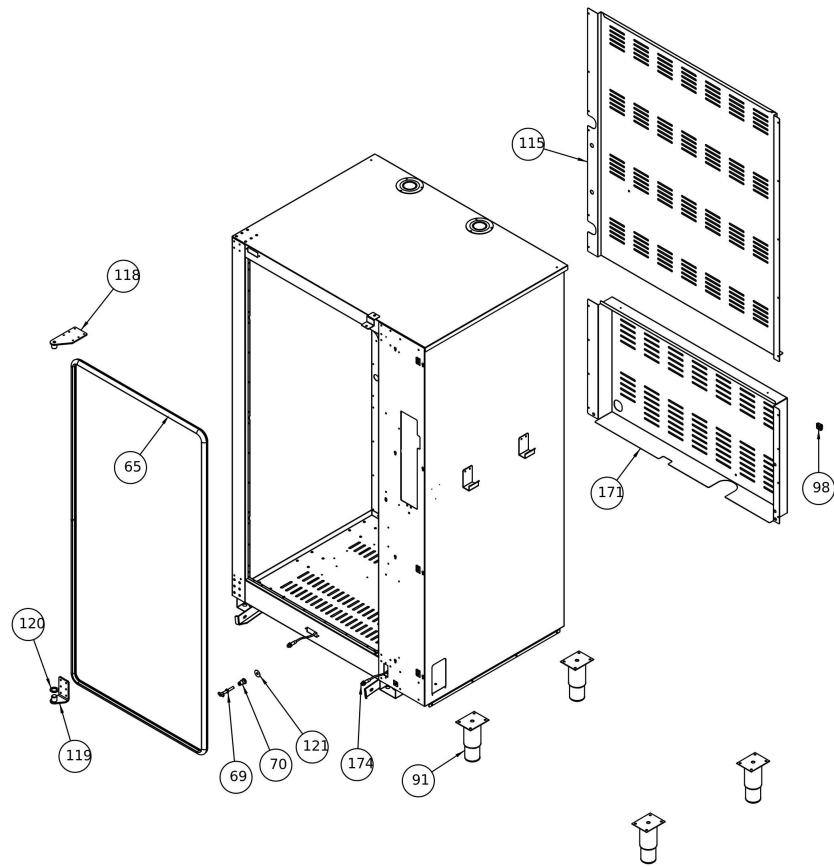
#	Code	Description	Specification	UM	Qty
01	TBC-85FRO00012*	FRONTAL STICKER	To order share oven s/...	pz	1
02	TBC-MAN	KNOB	To order share s/n	pz	3
03	020LSP0004	DASHBOARD INDICATOR LAMP 230V ORANGE		pz	2
06	TBC-TMR	TIMER	To order share s/n	pz	1
07	020TER0001	CHAMBER THERMOSTAT		pz	1
08	020RDE0001	HUMIDIFICATION TIMED SWITCH		pz	1
09	85CRU00094	STEEL CONTROL PANEL		pz	1
24	020DEV0001	2 SPEED ELECTRIC DIVERTER		pz	1
328	020SCH0016	BUZZER ELECTRONIC BOARD		pz	1



#	Code	Description	Specification	UM	Qty
79	TBC-MOR	POWER SUPPLY CONNECTOR	To order share oven s/...	pz	6
81	020PRC0001	MOTOR DIRECTION TIMED SWITCH		pz	1
82	020TEL0003	BRAKER 4POLES 230V 25A (6500W HEATERS)		pz	7
83	020TER0007	SAFETY THERMAL SWITCH 1 POLE		pz	1
280	TBC-TER	EARTH CONNECTOR	To order share oven s/...	pz	1
341	TBC-COND	CONDENSER	To order share s/n	pz	4

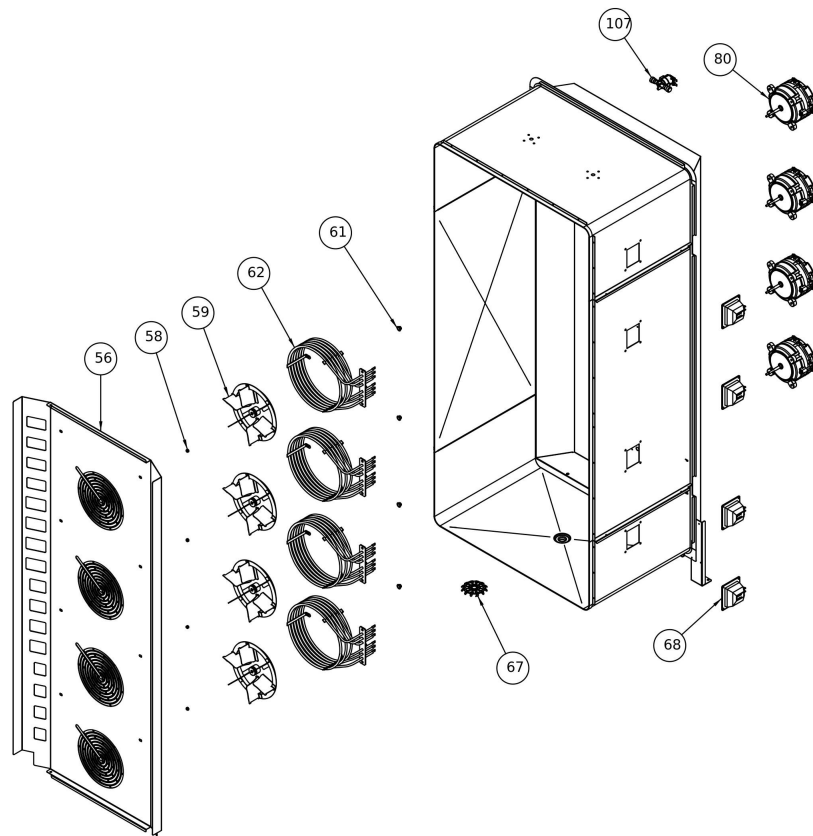


#	Code	Description	Specification	UM	Qty
37	AVI20T	COMPLETE INTERNAL GLASS DOOR		pz	1
38	TBC-85AVE00047*	COMPLETE EXTERNAL GLASS FOR SQUERO 16-20	To order share oven s/...	pz	1
39	TBC-85PTA00093*	COMPLETE DOOR FOR FOR SQUERO 16-20	To order share oven s/...	pz	1
40	040TAP00018	PLASTIC COVER OVEN DOOR		pz	2
41	040TAP00002	BLACK CAP		pz	2
44	040TAP00015	RUBBER SPACER FOR INTERNAL GLASS		pz	38
45	TBC-85MNG00001*	DOOR HANDLE	To order share oven s/...	pz	1
269	040MAN00010	INTERNAL GLASS BLOCKING KNOB		pz	3



Oven body

#	Code	Description	Specification	UM	Qty
65	040GUA00002	DOOR GASKET COMBISTEAMER		cm	440
69	60NASAI001	HANDLE STUD L70MM		pz	1
70	60PERAI003	HANDLE PIVOT RCB-RCG		pz	1
91	50PIEAI005	FOOT FOR 16-20 TRAYS OVENS		pz	4
98	020MOR0001	TERMINAL BLOCK BRIDGE 6-16 SQM		pz	1
115	10SCNZ10NSU050	OVEN BACKSIDE		pz	1
118	85CER00013	LOWER DOOR SUPPORT FOR OVEN		pz	1
119	85CER00014	LOWE DOOR SUPPORT FOR OVEN		pz	1
120	10PIAA20NAA044	PLATE		pz	1
121	10PIAA10SAA013	DOOR LOCK PLATE		pz	1
171	10SCNZ10NIN051	OVEN BACKSIDE		pz	1
174	20SNS00006	DOOR MAGNETIC SENSOR		pz	2



#	Code	Description	Specification	UM	Qty
56	10DEF00025	AIR DEFLECTOR		pz	1
58	70DAD00019	NUT PN M8 SS		pz	4
59	60VENAI013	IMPELLER 200X61 AIRTEK 2.0		pz	4
61	040BOC00006	CRANKSHAFT BUSH		pz	4
62	020RES67230232617	HEATING ELEMENT 6,75KW		pz	4
67	85PIA00007	DRAIN COVER		pz	1
68	020LAM0004	HALOGEN LAMP HOLDER		pz	4
80	TBC-MOT	MOTOR	To order share s/n	pz	4
107	020ELE0006	SINGLE SOLENOID VALVE FOR 20 TRAYS OVEN		pz	4