

Esploso Forno Best For 511 Star_2

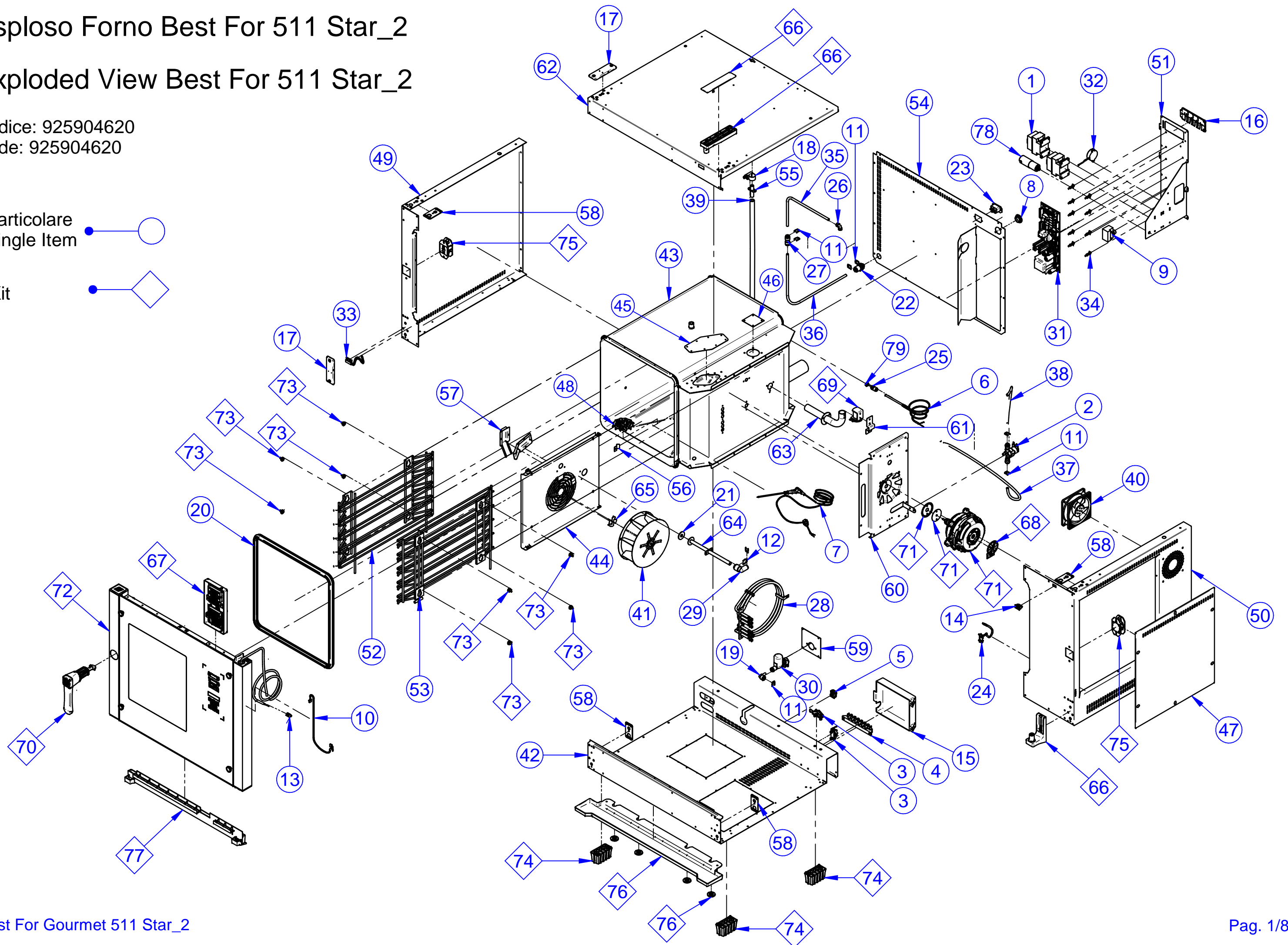
Exploded View Best For 511 Star_2

Codice: 925904620

Code: 925904620

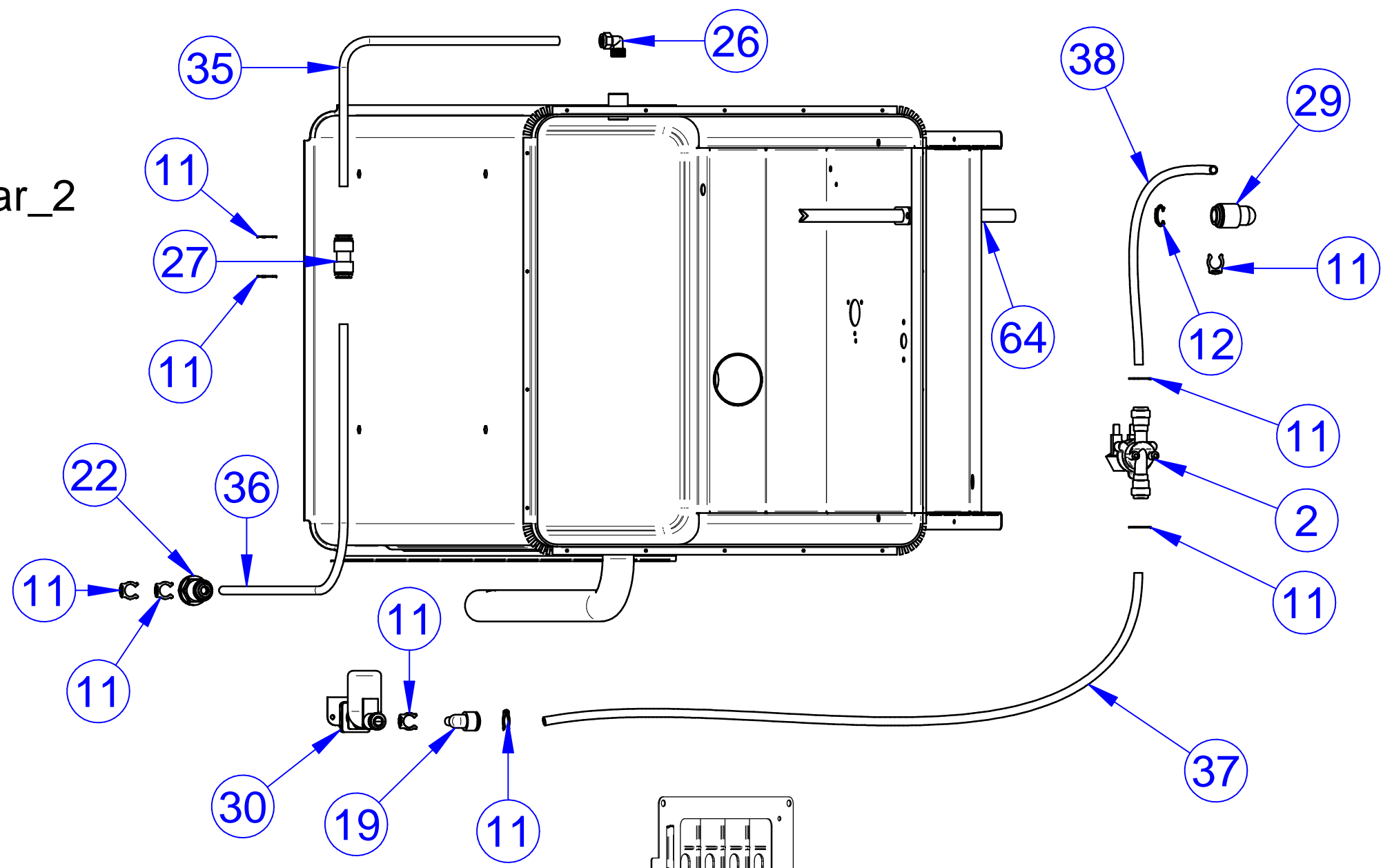
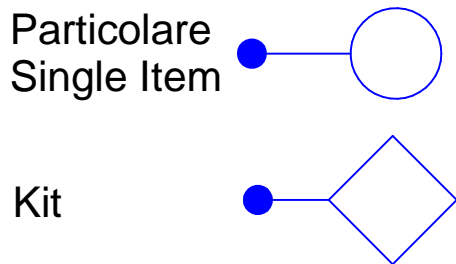
Particolare
Single Item

Kit



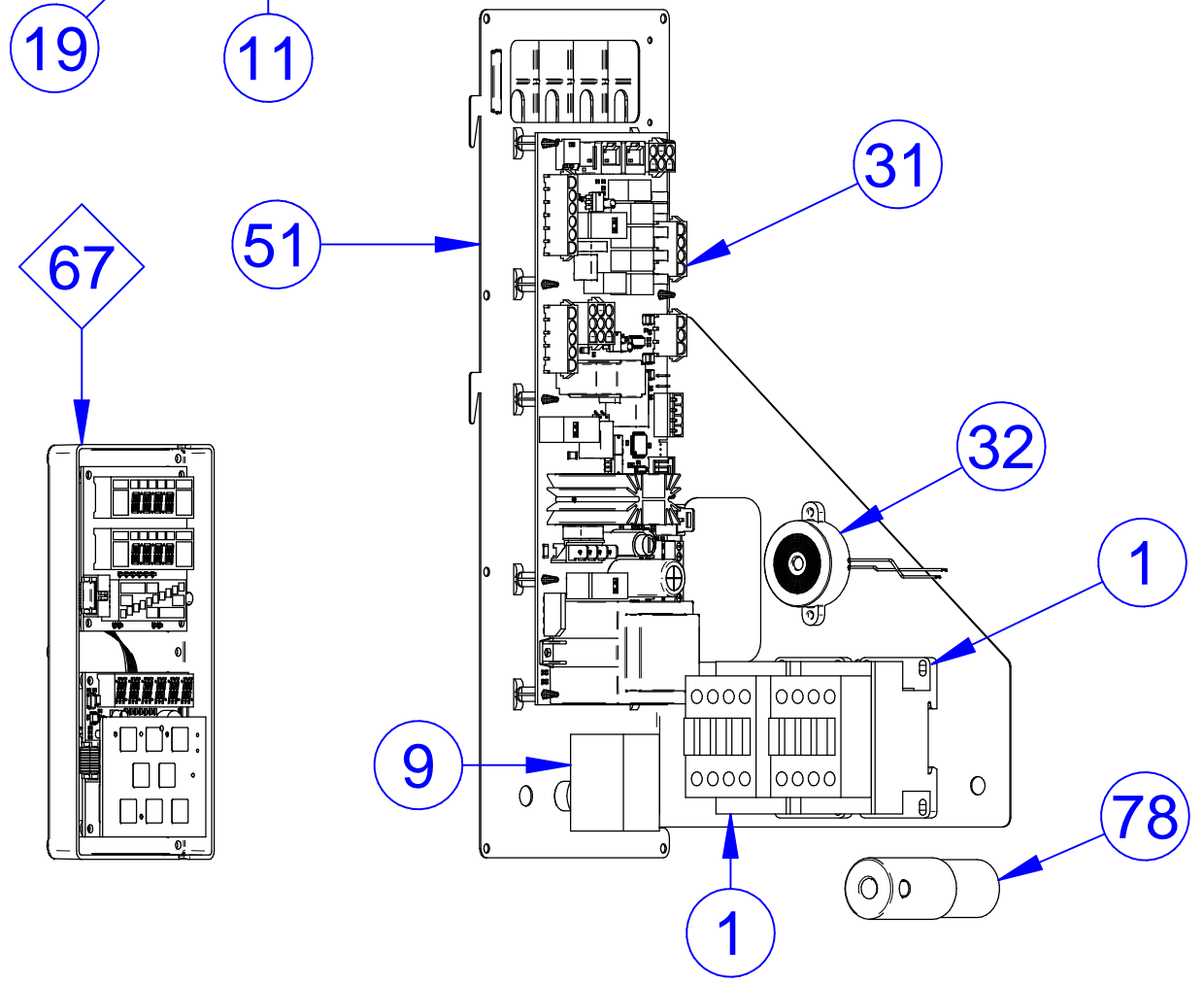
Particolare Impianto Idrico 511 Star_2

Water System 511 Star_2



Componenti Pannello Elettrico e Centralina 511 Star_2

Back Power Panel and Front Control Panel 511 Star_2



Esploso Kit Porta Completa 511 Star_2

Door Kit 511 Star_2 Exploded View

Particolare
Single Item

Kit

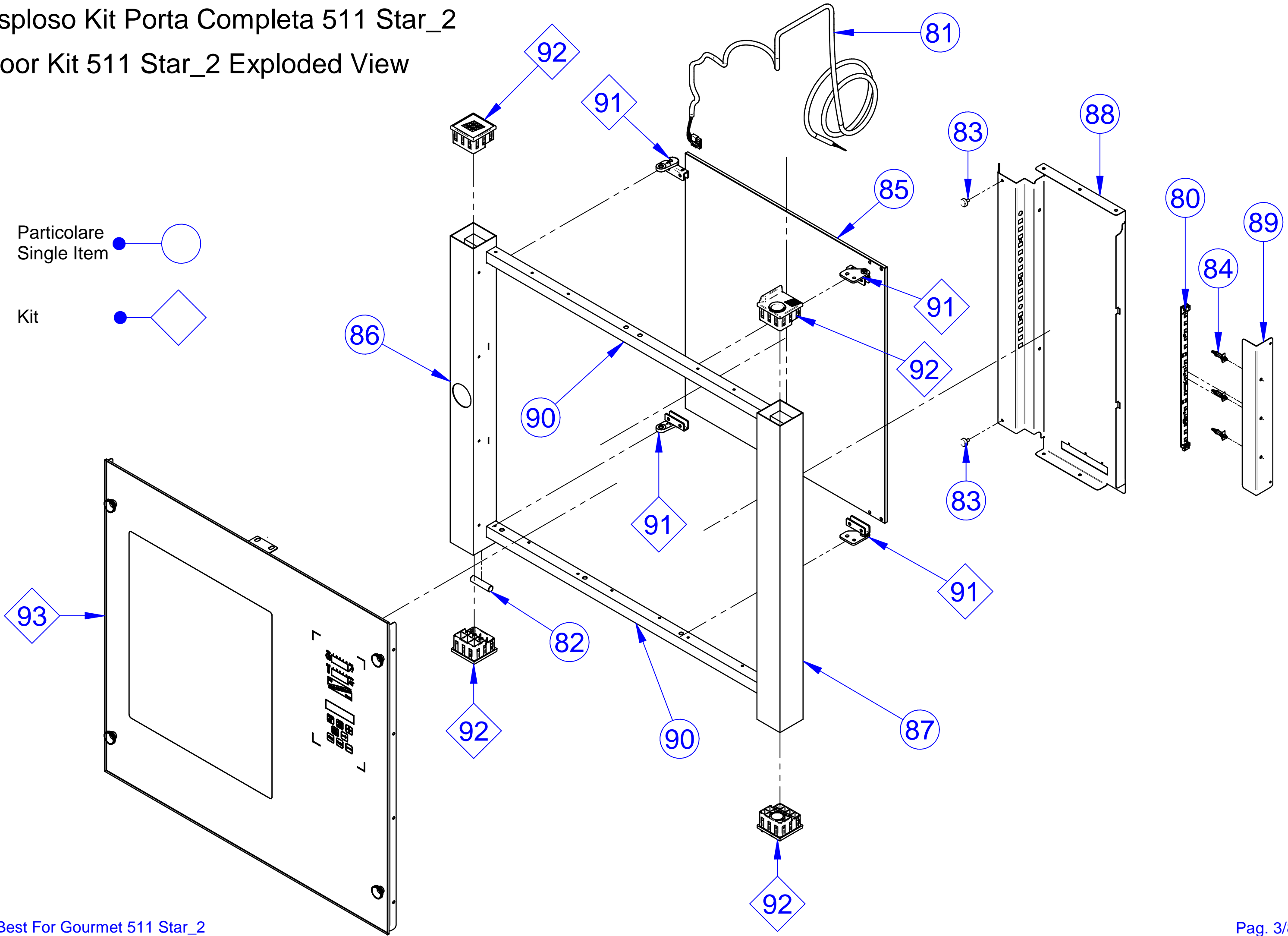


Tabella Componenti Forno 511 Star_2

N	Codice	Titolo	Description	Descripcìon	Descriptiòn	Beschreibung	Q
1	113000015	Contattore Lovato 30-1NO 18A	Remote control switch Lovato 30-1NO 18A	Telerruptor Lovato 30-1NO 18A	Télerupteur Lovato 30-1NO 18A	Fernschalter Lovato 30-1NO 18A	2
2	120800020	Elettrovalvola 230V Mini JG8 Rid Rosso	Solenoid valve 230V Mini JG8 Rid Red	Electroválvula 230V Mini JG8 Rid Rojo	Electrovanne 230V Mini JG8 Rid Rouge	Magnetventil 230V Mini JG8 Rid Rot	1
3	123507020	Fascetta BloccaCavo PA268	Cable clamp PA268	Banda bloqueo cable PA268	Collier bloque-câble PA268	Kabelklemme PA268	2
4	153007020	Morsetto Terminale FV273 7 Poli	7-pole terminal clamp FV273 7 Poli	Borne terminal FV273 7 Polos	Borne terminal FV273 7 pôles	Klemme Terminal FV273 7-polig	1
5	153007050	Morsetto Equipotenziale a Pettine	Equipotential terminal comb	Terminal equipotencial peine	Borne équipotentielle peigne	Potentialausgleichsklemme Kamm	1
6	179600000	Sonda Jota Giunto Isolato 6x100 Cavo 1,5m	Insulated Jota joint probe 6x100 Cable 1.5m	Sonda Jota junta aislada 6x100 cable 1,5m	Sonde Jota joint isolé 6x100 Câble 1,5m	Fühler Jota isolierte Verbindung 6x100 Kabel 1,5m	1
7	179607120	Sonda al Cuore Monopoint	Heart probe Monopoint	Sonda corazón Monopoint	Coeur Monopoint sonde	Sonde Herzen Monopoint	1
8	182000000	Tappo Plastica PG21	Plastic cap	Tapa de plástico	Capuchon en plastique	Kunststoffkappe	1
9	182500029	Termostato di Sicurezza 16A 250V t335°CT150	Safety thermostat 16A 250V t335°CT150	Termostato de seguridad 16A 250V t335°CT150	Thermostat de sécurité 16A 250V t335°CT150	Sicherheitsthermostat 16A 250V t335°CT150	1
10	310507120	Cavo Scheda-Led CB04V0500QQZZ	cable board-led CB04V0500QQZZ	Cable ficha-led CB04V0500QQZZ	Câble fiche LED CB04V0500QQZZ	Kabel LED-Karte CB04V0500QQZZ	1
11	312000020	Clip Blocca Pinzetta 8 JG PMC1808R	8 JG Pliers Locking Clip PMC1808R	Clip bloqueo pinza 8 JG PMC1808R	Clip 8 JG PMC1808R	Klammer Pinzettenbefestigung 8 JG PMC1808R	9
12	312000021	Clip Blocca Pinzetta 12 JG PIC1816R	12 JG Pliers Locking Clip PIC1816R	Clip bloqueo pinza 12 JG PIC1816R	Clip 12 JG PIC1816R	Klammer Pinzettenbefestigung 12 JG PIC1816R	1
13	313007020	Connettore Per Cavo D-P CNC PF04D1FF00	Connector for cable D-P CNC PF04D1FF00	Conector para cable D-P CNC PF04D1FF00	Connecteur pour câble D-P CNC PF04D1FF00	Steckverbinder für Kabel D-P CNC PF04D1FF00	1
14	313007023	Connettore Termocoppia K Miniatura	K thermocouple connector	Conector termopar k	Connecteur thermocouple K	Thermoelement-Stecker K	1
15	313207020	Coperchio Morsettiera	Terminal board cover	Tapa bornera	Couvercle bornier	Abdeckung Klemmenleiste	1
16	313207030	Coperchio Prese Aux Centralina	Control unit aux socket cover	Tapa tomas aux centralita	Couvercle prises aux. de la centrale	Abdeckung zusätzl. Steckdosen Steuereinheit	1
17	313207125	Coperchio Fori Cerniera	Hinge slot cover	Tapa orificios bisagra	Couvercle orifices charnière	Abdeckung Scharnierbohrungen	2
18	323501424	Fascetta Inox 14-24	Stainless steel clamp 78-98	Abrazadera Inox 78-98	Collier Inox 78-98	Schlauchschelle Edelstahl 78-98	1
19	331300020	Gomito con codolo JG 8-8 PM220808E	Elbow with shank JG 8-8 PM220808E	Codo JG 8-8 PM220808E	Coude à cône JG 8-8 PM220808E	Bogen mit Schaft JG 8-8 PM220808E	1
20	331807020	Guarnizione Camera	Chamber gasket	Junta cámara	Joint chambre	Abdichtung Garraum	1
21	331807120	Guarnizione tubo ingresso acqua	Seal water inlet pipe	Sello del tubo entrada agua	Joint de tube entrée eau	Dichtung Zulaufschlauch	1
22	363600000	Passaparete Intermedio JG 8mm PM1208E	Intermediate coupling JG 8mm PM1208E	Pasa-pared intermedio JG 8mm PM1208E	Passe-mur intermédiaire JG 8mm PM1208E	Mittlerer Wanddurchlass JG 8mm PM1208E	1

Tabella Componenti Forno 511 Star_2

N	Codice	Titolo	Description	Descripció	Description	Beschreibung	Q
23	366900008	Presa Pannello 43R031121	Panel fitting 43R031121	Toma Panel 43R031121	Prise panneau 43R031121	Steckdose Panel 43R031121	1
24	366907020	Prolunga Connettore Seriale PH003_A01	USB logger interface	Interfaz USB Logger	Interface USB logger	USB-Schnittstelle Logger	1
25	373000000	Raccordo Porta Sonda Jota	Jota probe holder fitting	Rácor portasonda Jota	Raccordo porte sonde Jota	Anschluss Türfühler Jota	1
26	373000002	Raccordo a L D.8 1-4	L-shaped fitting D.8 1-4	Rácor en L D.8 1-4	Raccord en L D.8 1-4	L-förmiger Anschluss D.8 1-4	1
27	373000021	Raccordo intermedio Dritto 8-8 JG PM0408E	Straight intermediate fitting 8-8 JG PM0408E	Rácor intermedio recto 8-8 JG PM0408E	Raccord intermédiaire droit 8-8 JG PM0408E	Gerader Zwischenanschluss 8-8 JG PM0408E	1
28	373500050	Resistenza Bistrot 664 230V 5000W	Bistrot 664 heating element 230V 5000W	Resistencia Bistrot 664 230V 5000W	Résistance Bistrot 664 230V 5000W	Heizwiderstand Bistrot 664/364 230V 5000W	1
29	374000020	Riduzione a Gomito JG 12/8 PM211208E	Elbow adaptor JG 12/8 PM211208E	Codo reductor JG 12/8 PM211208E	Raccord coudé de réduction JG 12/8 PM211208E	Bogenreduzierung JG 12/8 PM211208E	1
30	374100020	Riduttore di pressione 1.2 bar JG	Pressure reducer 1.2 bar JG	Reductor de presión 1.2 bar JG	Réducteur de pression 1.2 bar JG	Druckminderer 1.2 bar JG	1
31	378607025	Scheda Di Potenza PJ082_A02	Power board PJ082_A02	Tarjeta de potencia PJ082_A02	Carte de puissance PJ082_A02	Leistungskarte PJ082_A02	1
32	379200000	Segnalatore acustico nero	Black acoustic indicator	Avisador acústico negro	Avertisseur sonore noir	Summer schwarz	1
33	379206500	Sensore MK21-1A71C1000W	Sensor MK21-1A71C1000W	Sensor MK21-1A71C1000W	Capteur MK21-1A71C1000W	Fühler MK21-1A71C1000W	1
34	381000003	Supporto Plastica MPDSDST2SIY00 8mm	Plastic support MPDSDST2SIY00 8mm	Soporte plástico MPDSDST2SIY00 8mm	Support en plastique MPDSDST2SIY00 8mm	Kunststoffhalterung MPDSDST2SIY00 8mm	9
35	385500002	Tubo in rame D. 8	Copper pipe D. 8	Tubo en cobre 8	Tuyau en cuivre D. 8	Kupferrohr D. 8	1
36	385500020	Tubo Pe Trasparente JG 8x6 PE-006-100M-N	Transparent PE Pipe JG 8x6 PE-006-100M-N	Tubo Pe trasparente JG 8x6 PE-006-100M-N	Tube Pe transparent JG 8x6 PE-006-100M-N	Transparenter PE-Schlauch JG 8x6 PE-006-100M-N	1
37	385500020	Tubo Pe Trasparente JG 8x6 PE-006-100M-N	Transparent PE Pipe JG 8x6 PE-006-100M-N	Tubo Pe trasparente JG 8x6 PE-006-100M-N	Tube Pe transparent JG 8x6 PE-006-100M-N	Transparenter PE-Schlauch JG 8x6 PE-006-100M-N	1
38	385500020	Tubo Pe Trasparente JG 8x6 PE-006-100M-N	Transparent PE Pipe JG 8x6 PE-006-100M-N	Tubo Pe trasparente JG 8x6 PE-006-100M-N	Tube Pe transparent JG 8x6 PE-006-100M-N	Transparenter PE-Schlauch JG 8x6 PE-006-100M-N	1
39	385500024	Tubo gom/aria-acqua/10 12x17	Rubber hose 10mm 12x17	Tubo de goma 10mm 12x17	Tuyau en caoutchouc 10mm 12x17	Gummischlauch 10mm 12x17	1
40	391500027	Ventola Ebm-Papst 4656N	Ebm-Papst 4656N fan	Ventilador Ebm-Papst 4656N	Vanne Ebm-Papst 4656N	Geblase Ebm-Papst 4656N	1
41	391500050	Ventola pala dritta 200x80	Straight blade fan Diameter 200x80	Ventilador palas rectas Diámetro 200x80	Vanne à pales droites Diamètre 200x80	Geblase gerade Schaufeln Durchmesser 200x80	1
42	505607620	Basamento	Base	Base	Base	Unterteil	1
43	510604620	Camera Di Cottura	Cooking chamber	Cámara de cocción	Chambre de cuisson	Garraum	1
44	513104620	Convogliatore Aria Grigliato	Grilled air conveyor	Direccionador aire con rejilla	Convoyeur d'air à grille	Luftführung mit Gitter	1
45	513107050	Copriforo Camera di Combustione	Hole cover burner chamber	Tapa del agujero de la cámara de combustión	Couverture de trou de la chambre de combustion	Loch Abdeckung Brennkammer	1

Tabella Componenti Forno 511 Star_2

N	Codice	Titolo	Description	Descripción	Description	Beschreibung	Q
46	513107051	Copriforo Scarico Fumi	Hole cover exhaust fumes	Tapa del agujero los gases de escape	Couverture de trou de les gaz d'échappement	Loch Abdeckung Abgasen	1
47	513204620	Coperchio Motori	Motor cover	Tapa motores	Couvercle moteurs	Motorenabdeckung	1
48	531706020	Griglia Scarico Acqua	Grid drain water	la red de agua y alcantarillado	Grille de purge de la eau	Gitter Abwasser	1
49	546604530	Laterale Sinistro	Left side	Lateral izquierdo	Latéral gauche	Linke Seite	1
50	546604620	Laterale Destro	Right side	Lateral derecho	Latéral droit	Rechte Seite	1
51	563704020	Pannello Impianto Elettrico	Electrical system panel	Panel instalación eléctrica	Panneau installation électrique	Anlagentafel	1
52	566504620	Portateglie Sinistro	Left pan support	Portabandejas izquierdo	Porte-plats gauche	Linker Blechhalter	1
53	566504630	Portateglie Destro	Right pan support	Portabandejas derecho	Porte-plats droit	Rechter Blechhalter	1
54	573604620	Retro Forno	Oven Back	Trasera horno	Arrière four	Ofenrückseite	1
55	579307620	Sfogo Depressore	Depressor pipe	Tubo depresor	Tube depressor	Depressor tube	1
56	580306021	Squadretta Spruzzatori	Spray nozzle bracket	Escuadra rociadores	Équerre vaporisateurs	Winkelplatte Sprühdüsen	1
57	580306500	Squadretta spruzzatore	Spray nozzle bracket	Escuadra rociador	Équerre vaporisateur	Winkelplatte Sprühdüse	2
58	581007030	Supporto\Rinforzo Cerniera	Hinge support/reinforcement	Soporte/refuerzo bisagra	Support\Renforcement de la charnière	Scharnierhalterung\Verstärkung	4
59	581007120	Supporto Riduttore di Pressione	Solenoid valve support	Soporte electroválvula	Support électrovanne	Magnetventilträger	1
60	581104620	Supporto Motori	Motor support	Soporte motores	Support moteurs	Motoren halterung	1
61	581107021	Supporto Attuatore Aria	Air actuator support	Soporte actuador aire	Support actionneur d'air	Halterung Luftantrieb	1
62	582607620	Tetto	Top panel	Techo	Toit	Abdeckung	1
63	585507120	Tubo Ingresso Aria	Air inlet pipe	Tubo entrada aire	Tuyau d'entrée de l'air	Lufteintrittsrohr	1
64	585507121	Tubo Ingresso Acqua Corto	Water inlet pipe	Tubo entrada agua	Tuyau d'entrée de l'eau	Wassereinlaufrohr	1
65	591507120	Ventolina Vaporizzatore	Vaporizer fan	Fan vaporizador	fan vaporisateur	Fan verdampfer	1
66	711007030	Kit Cerniere Porta Serie Star	Door hinge Serie Star Kit	Kit Bisagra puerta Serie Star	Kit charnière porte Serie Star	Türscharnier Kit Serie Star	1
67	715707025	Kit Centralina Frontale Serie Star2 Verticale	Front Control unit Serie Star2 Kit (vertical)	Kit Frontal centralita Serie Star2 (vertical)	Kit Frontal centrale Serie Star2 (verticaux)	Vorderseitiges Steuerneinheit-Kit Serie Star2 (senkrecht)	1
68	715807120	Kit Contagiri MFA80	Rev counter kit MFA80	Tacómetro kit MFA80	Tachymètre kit MFA80	Kit drehzahlmesser MFA80	1
69	734600003	Kit Attuatore	Actuator Kit	Kit Actuador	Kit Actionneur	Kit Antrieb	1
70	751607900	Kit Maniglia Serie Star	Handle Serie Star Kit	Kit Tirador Serie Star	Kit Poignée Serie Star	Griff Kit Serie Star	1
71	753000120	Kit Motore MFA80H25-VA 230V	Motor Kit MFA80H25-VA 230V	Kit Motor MFA80H25-VA 230V	Kit Moteur MFA80H25-VA 230V	Motor Kit MFA80H25-VA 230V	1
72	753104531	Kit Porta Completa 511 Serie Star2	Complete door 511 Serie Star2 Kit	Kit Puerta completa 511 Serie Star2	Kit Porte complète 511 Serie Star2	Komplettes Tür Kit 511 Serie Star2	1

Tabella Componenti Forno 511 Star_2

<i>N</i>	<i>Codice</i>	<i>Titolo</i>	<i>Description</i>	<i>Descripcìon</i>	<i>Descriptiòn</i>	<i>Beschreibung</i>	<i>Q</i>
73	764106020	<i>Kit Perni Supporto Guida Teglie Gourmet</i>	<i>Pan guide support pin Gourmet Kit</i>	<i>Kit Perno soporte guía bandejas Gourmet</i>	<i>Kit Axe support glissière plats à four Gourmet</i>	<i>Kit Zapfen Blechführungshalterung Gourmet</i>	1
74	764507020	<i>Kit 4 Piedini di Supporto Forno</i>	<i>Oven 4 feet kit</i>	<i>Kit 4 Patas soporte</i>	<i>Kit 4Pieds de support</i>	<i>Kit 2 OfenstützfüÙe</i>	1
75	779207030	<i>Kit Serrature in Plastica</i>	<i>Plastic lock Kit</i>	<i>Kit Cerradura de plàstico</i>	<i>Kit Serrure en plastique</i>	<i>Schlösserkit aus Kunststoff</i>	1
76	790607520	<i>Kit Vaschetta Sottoporta (511-1011)</i>	<i>Under-door tray Kit (511-1011)</i>	<i>Kit Bandeja bajo puerta (511-1011)</i>	<i>Kit Bac sous (511-1011)</i>	<i>Kit Auffangwanne unter der Tür (511-1011)</i>	1
77	790607530	<i>Kit Vaschetta Vetro (511-1011)</i>	<i>Glass tray (511 1011)</i>	<i>Kit Bandeja vidrio (511 1011)</i>	<i>Kit Bac vitre (511 1011)</i>	<i>Kit Glasauffangwanne (511 1011)</i>	1
78	<i>Commerciale</i>	<i>Condensatore 5mF Ducati Energia</i>	<i>Condenser 5mF Ducati Energia</i>	<i>Condensador 5mF Ducati Energia</i>	<i>Condensateur 5mF Ducati Énergie</i>	<i>Kondensator 5mF Ducati Energie</i>	1
79	<i>Commerciale</i>	<i>Dado 1/8 Gas Inox</i>	<i>Nut 1/8 gas inox</i>	<i>Tuerca 1/8 gas inox</i>	<i>Écrou 1/8 gaz inox</i>	<i>Mutter 1/8 gas inox</i>	1

Tabella Componenti Kit Porta Completa 511 Star_2

N	Codice	Titolo	Description	Descripcìon	Descriptiòn	Beschreibung	Q
80	305507050	Scheda Barra LED N034_2	Electronic board led bar	Tarjeta led bar	Electronic board LED bar	Karte led bar	1
81	310507020	Cavo Collegamento Display-Potenza CB04V4000MKZZ	Display-Power connection cable CB04V4000MKZZ	Cable conexión pantalla-potencia CB04V4000MKZZ	Câble de branchement écran-Puissance CB04V4000MKZZ	Anschlusskabel Display-Leistung CB04V4000MKZZ	1
82	351600008	Magnete Micro Porta	Door micro magnet	Imán microinterruptor puerta	Micro Interrupteur Porte	Türmikromagnet	1
83	364100000	Perno Fissaggio Vetro in Teflon	Teflon glass fastening pin	Perno de Teflón para Fijación Cristal	Axe Téflon Fixation Vitre	Teflonstift für Glasbefestigung	2
84	381000003	Supporto Plastica MPDSDST2SIY00 8mm	Plastic support MPDSDST2SIY00 8mm	Soporte plástico MPDSDST2SIY00 8mm	Support en plastique MPDSDST2SIY00 8mm	Kunststoffhalterung MPDSDST2SIY00 8mm	3
85	391604531	Vetro Interno	Internal glass	Vidrio interno	Vitre interne	Innenglas	1
86	553104525	Montante Porta Lato Maniglia Plastica	Door upright on plastic handle side	Montante puerta lado tirador plástico	Montant porte côté poignée en plastique	Türholm Kunststoffgriffseite	1
87	553104530	Montante Porta Lato Cerniere	Door upright on hinge side	Montante puerta lado bisagras	Montant porte côté charnière	Türholm scharnierseitig	1
88	578704620	Schermo Protezione Centralina	Control unit protection screen	Pantalla protección centralita	Écran de protection de la centrale	Schutzabdeckung Steuereinheit	1
89	581007040	Supporto Barra Led Singola	support single LED bar	apoyo bar solo LED	support barre led unique	Unterstützung einzigen Bar LED	1
90	584507520	Traversa Porta	Door cross-piece	Travesaño puerta	Barre porte	Querstrebe der Tür	2
91	712007120	Kit Montaggio Vetro Interno Serie Star_2	Assembly inner Glass Serie Star_2 Kit	Kit Montaje vidrio interno Serie Star_2	Kit Assemblée vitre interne Serie Star_2	Montage Kit inner Glases Serie Star_2	1
92	782007020	Kit Tappi Porta Serie Star	Door plugs Serie Star Kit	Kit Tapón puerta Serie Star	Kit Cache porte Serie Star	Türabdeckkappe Kit Serie Star	1
93	791604520	Kit Vetro Esterno Gourmet 511	Outer glass Gourmet 511 Kit	Kit Vidrio externo Gourmet 511	Kit Vitre externe Gourmet 511	Kit Außenglas Gourmet 511	1

Esploso Porta Completa Gourmet 511 S2X

Complete Door Gourmet 511 S2X Exploded View

Particolare
Single Item

Kit

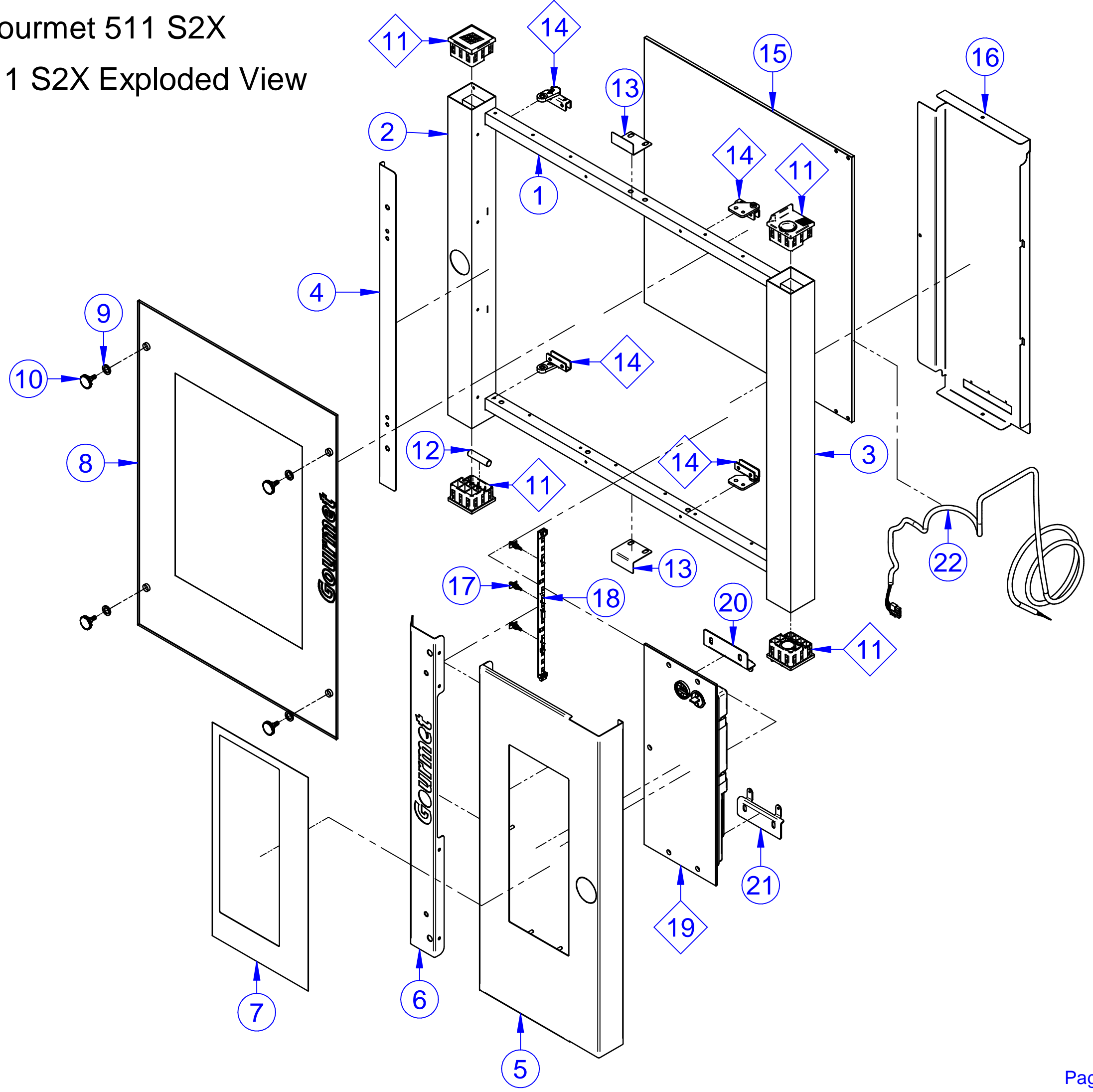


Tabella Componenti Porta Completa 511 S2X

N	Codice	Titolo	Description	Description	Descripció	Beschreibung	Q.
1	584507520	Traversa Porta	Door cross-piece	Barre porte	Travesaño puerta	Querstrebe der Tür	2
2	553104525	Montante Porta Lato Maniglia Plastica	Door upright on plastic handle side	Montant porte côté poignée en plastique	Montante puerta lado tirador plástico	Türholm Kunststoffgriffseite	1
3	553104530	Montante Porta Lato Cerniere	Door upright on hinge side	Montant porte côté charnière	Montante puerta lado bisagras	Türholm scharnierseitig	1
4	581204522	Supporto Vetro Esterno	External glass support	Support vitre externe	Soporte cristal externo	Außenglashalterung	1
5	513304621	Cruscotto Centralina	Control Board Dashboard	Tableau Platine	Tablero Centralita	Armaturenbrett ECU	1
6	510504620	Carter Led con logo	Lamp case with logo	Carter Lampes avec logo	Cárter Lámparas con el logotipo	Lampengehäuse mit Logo	1
7	300807122	Adesivo Cruscotto Centralina	Control Board Dashboard Sticker	Adhésif Tableau Platine	Adhesivo Tablero Centralita	Klebe Armaturenbrett ECU	1
8	391604528	Vetro Esterno	Outer glass	Vitre externe	Vidrio externo	Außenglas	1
9	375000002	Rondella Guarnizione Graffitata	Graphite gasket washer	Rondelle joint graphite	Arandela de Junta de grafito	Grafit-Dichtungsscheibe	4
10	351600007	Manopola Zigrinata M5	Knurled knob M5	Manette crénelée M5	Mando estriado M5	Rändeldrehknopf M5	4
11	782007020	Kit Tappi Porta Serie Star	Door plugs Serie Star Kit	Kit Cache porte Serie Star	Kit Tapón puerta Serie Star	Türabdeckkappe Kit Serie Star	1
12	351600008	Magnete Micro Porta	Door micro magnet	Micro Interrupteur Porte	Imán microinterruptor puerta	Türmikromagnet	1
13	515707020	Distanziale Centrale Vetro Esterno	External glass central spacer	Entretoise centrale vitre externe	Distanciador central vidrio externo	Abstandhalter Steuereinheit Außenglassscheibe	2
14	712007120	Kit Montaggio Vetro Interno Serie Star_2	Assembly inner Glass Serie Star_2 Kit	Kit Assemblée vitre interne Serie Star_2	Kit Montaje vidrio interno Serie Star_2	Montage Kit inner Glases Serie Star_2	1
15	391604531	Vetro Interno	Internal glass	Vitre interne	Vidrio interno	Innenglas	1
16	578704622	Schermo Protezione Centralina	Control unit protection screen	Écran de protection de la centrale	Pantalla protección centralita	Schutzabdeckung Steuereinheit	1
17	381000004	Supporto plastica MPDSDST5SIY00/6 mm	Plastic support MPDSDST5SIY00/6 mm	Support en plastique MPDSDST5SIY00/6 mm	Soporte plástico MPDSDST5SIY00/6 mm	Kunststoffhalterung MPDSDST5SIY00/6 mm	3
18	305507050	Scheda Barra LED N034_2	Electronic board led bar	Electronic board LED bar	Tarjeta led bar	Karte led bar	1
19	791604513	Kit Vetro Centralina Vision S2X	Removable Vision Control Unit S2X Kit	Kit amovible centrale Vision S2X	Kit Desmontable centralita Vision S2X	Abnehmbarem ecu Vision S2X Kit	1
20	581004510	Supporto Superiore Centralina Vision	Higher support unit Vision	Soutenir supérieur de l'unité Vision	Apoyo superior Unidad Visión	Unterstützen Höhere Einheit Vision	1
21	581004511	Supporto Inferiore Centralina Vision	Lower support unit Vision	Support inférieur de l'unité Vision	Apoyo inferior Unidad Visión	Unterstützen unteren Einheit Vision	1
22	310507020	Cavo Collegamento Display-Potenza CB04V4000MKZZ	Display-Power connection cable CB04V4000MKZZ	Câble de branchement écran-Puissance CB04V4000MKZZ	Cable conexión pantalla-potencia CB04V4000MKZZ	Anschlusskabel Display-Leistung CB04V4000MKZZ	1