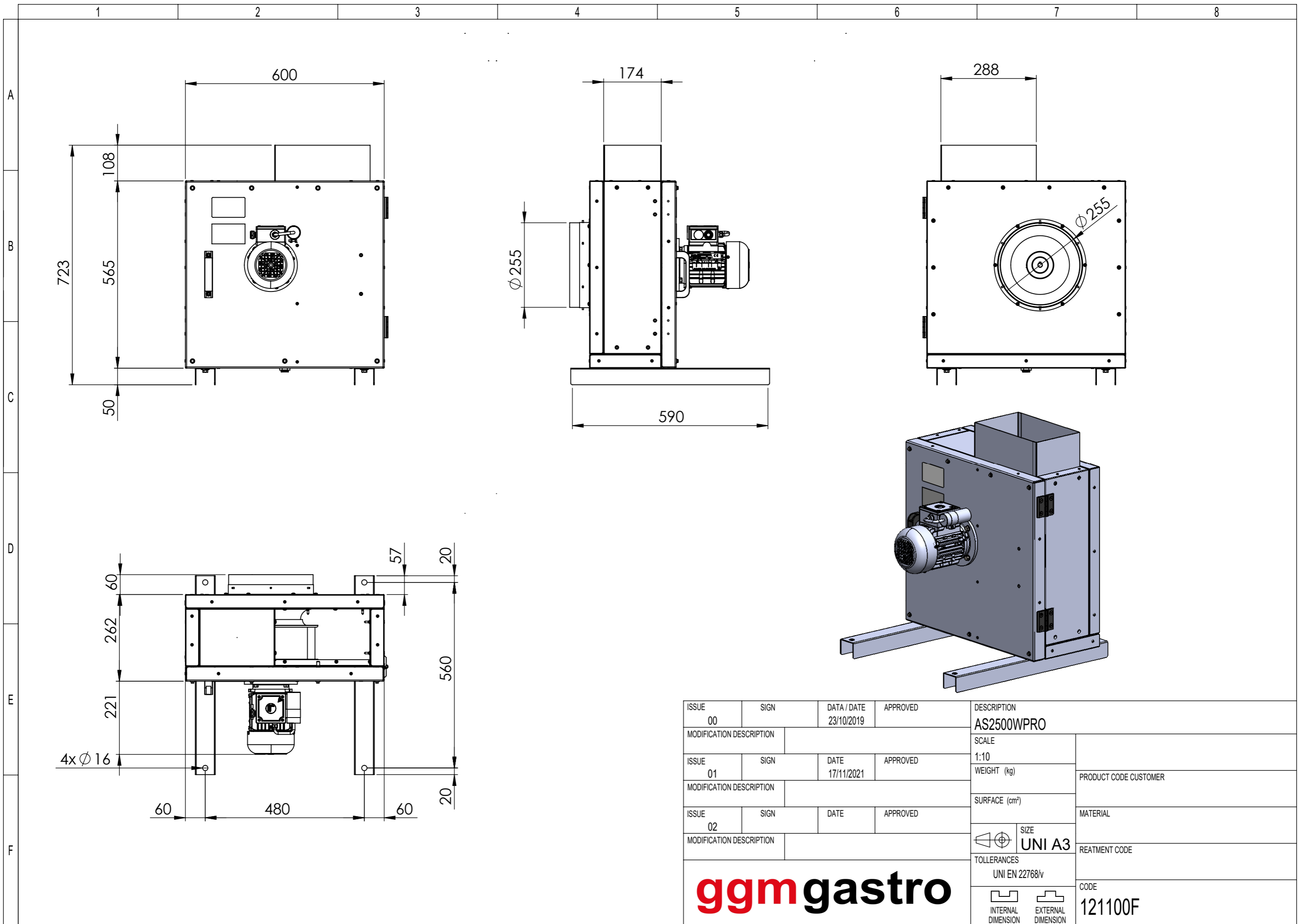


ACCORDING TO THE LAW RESERVE THE RIGHT OF OWNERSHIP OF THIS DRAWING
WITH PROHIBITION TO EITHER REPRODUCE IT OR NOTIFY IT
TO COMPETITORS AND THIRD PARTIES WITHOUT AUTHORISATION



ISSUE 00	SIGN	DATA / DATE 23/10/2019	APPROVED	DESCRIPTION AS2500WPRO
MODIFICATION DESCRIPTION				SCALE 1:10
ISSUE 01	SIGN	DATE 17/11/2021	APPROVED	WEIGHT (kg)
MODIFICATION DESCRIPTION				PRODUCT CODE CUSTOMER
ISSUE 02	SIGN	DATE	APPROVED	SURFACE (cm ²)
MODIFICATION DESCRIPTION				MATERIAL
				SIZE UNI A3
				TREATMENT CODE
				TOLLERANCES UNI EN 22768/v
				CODE 121100F
				INTERNAL DIMENSION EXTERNAL DIMENSION