

PLUTON MEAT AND APPETIZER SHOWCASE (FLAT GLASS)

CONTENTS

A	GENERAL INFORMATION.....	Page 2
A1	PRODUCT DESCRIPTION	Page 3
A2	TECHNICAL INFORMATION.....	Page 3
A3	TRANSPORTATION	Page 4
A4	UNPACKING	Page 4
B	INSTALLATION	Page 4
C	SAFETY INSTRUCTIONS	Page 5
D	OPERATION	Page 6
E	CLEANING & MAINTENANCE	Page 7
F	TROUBLESHOOTING	Page 8
G	SPARE PART LIST- EXPLODING DRAWING	Page 9
H	ELECTRIC CIRCUIT SCHEMA	Page 15

PLUTON MEAT AND APPETIZER SHOWCASE (FLAT GLASS)

A GENERAL INFORMATION

Before installing the appliance, read operation and maintenance instructions carefully. Wrong installation and part changing may damage the product or may cause injury on people. These are not in our company's responsibility to damage the appliance intentionally, negligence, detriments because of disobeying instructions and regulations, wrong connections. Unauthorized intervention to appliance invalidates the warranty.

1. This instruction manual should be kept in a safe place for future reference.
- 2. Installation should be made in accordance with ordinances and security rules of that country by a qualified service personnel.**
3. This appliance has to be used by trained person.
4. Please turn off the appliance immediately in the event of malfunction or failure. The appliance should be repaired only by authorized service personnel. Please demand original spare part.

PLUTON MEAT AND APPETIZER SHOWCASE (FLAT GLASS)

A1 PRODUCT DESCRIPTION

*The Professional Pluton Meat and Appetizer Showcase (Flat Glass) ,that provides high efficiency has been designed to be used in industrial kitchen.

Product Code	Dimensions (mm)	Weight (kg)	Packaging Dimensions (mm)
VT.D100	1000x870x1350	172	1120x950x1550
VT.D130	1300x870x1350	224	1370x950x1550
VT.D160	1600x870x1350	255	1720x950x1550
VT.D200	2000x870x1350	276	2120x950x1550

A2 TECHNICAL INFORMATION

PRODUCT CODE	VT.D100	VT.D130	VT.D160	VT.D200
MODEL	FLAT GLASS	FLAT GLASS	FLAT GLASS	FLAT GLASS
COOLING CAPACITY(KW)	1.73	1.73	1.73	2.07
POWER (KW)	0.98	0.98	0.98	1.01
MOTOR POWER (KW)	0.5	0.5	0.5	0.5
OPERATING RANGE (°C)	+0 / +8	+0 / +8	+0 / +8	+0 / +8
CABLE (MM ²)	3x1,5	3x1,5	3x1,5	3x1,5
FUSE (A)	16	16	16	16
OPERATING VOLTAGE (V)	220	220	220	220

OPTIONAL	*Wooden decor
----------	---------------

PLUTON MEAT AND APPETIZER SHOWCASE (FLAT GLASS)

A3 TRANSPORTATION

*This appliance can not be moved by hand from area to area. It must be moved on pallet with forklift truck.

A4 UNPACKING

*Please unpack the package according to the security codes and ordinances of current country and get rid from the pack. Parts which contacts with food are produced by stainless steel. All plastic parts are marked by material's symbol.

*Please check that all the parts of appliance had come completely and if they are damaged or not during the shipping.


B INSTALLATION

*Please place the product to straight and sturdy ground, please take necessary steps against possibility of overturn.

*Technician who will serve for installation and service for the appliance must be professional on this subject and must have installation and service licenses by the company.

*Connection to Electric Power Supply must be done by authorized person.

*Please be sure that the voltage connected to appliance must be equal with the voltage which is on appliance's label.

 This appliance must be connected to an earthed outlet in accordance with safety rules and standard.

*Appliance's earthing must be connected to earthing line on panel which is nearest to electric installation.

*Connection to the main fuse and leak current fuse must be done in accordance with the current regulations.

*If the 2 appliance will be placed adjacently, there must be at least 2 cm space between them. The Condensation is prevented.

PLUTON MEAT AND APPETIZER SHOWCASE (FLAT GLASS)

C SAFETY INSTRUCTIONS



*Do not use the appliance in insufficient lighted place.



*Do not touch the moving attachments while the appliance operates.



*Do not install the appliance in the presence of flammable or explosive materials.



*Do not operate the appliance when the machine is empty.



*Do not load so less or more than appliance's capacity .



*Do not attempt to use the appliance without suitable protective equipments.



*Because of any reason if there is a fire or flame flare where the appliance is used,turn off all gas valves and electric contactor switch quickly and use fire extinguisher .Never use water to extinguish the fire.



*All the damages because of not having earthing connection will not be on warranty.



*Prevent the appliance to take sunshine directly.

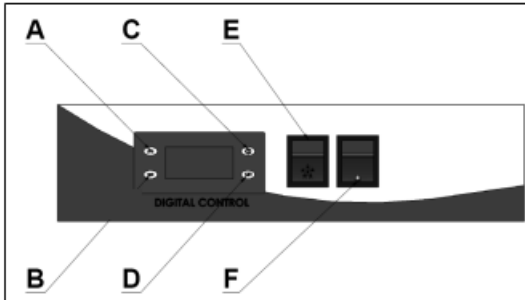


*Do not place heavy objects on to the appliance.

PLUTON MEAT AND APPETIZER SHOWCASE (FLAT GLASS)

D OPERATION

*Control Panel;



- A : Degree increase
- B : Degree reduce
- C : Indicator ON/OFF
- D : SET approval button
- E : ON/OFF button
- F : Lamp ON/OFF

*Operating;

- Clean the inner and outer surface of the appliance with warm cloth before first use. Then clean with wet cloth and dry.
- Plug in the appliance.
- Switch to (I) position.
- Activate lamp ON/OFF button for the inner lighting of the refrigerator.
- Set the temperature of the appliance with up-down arrows.
- Operate the appliance for 12 hours when it is empty at first use. Meanwhile pay attention that the lids are closed.
- When the appliance reaches desired temperature, place the materials into it.
- If the lids are opened often or left opened, these situations can effect the cooling of the products.
- When the appliance is not needed to be used, switch to (0) position and unplug the appliance.

PLUTON MEAT AND APPETIZER SHOWCASE (FLAT GLASS)

E CLEANING & MAINTENANCE

➤ **CLEANING AND MAINTENANCE AFTER EVERY USE**

- Always turn off the appliance and disconnect from the power supply before cleaning.
- Clean the outer surface of the appliance with moist cloth.
- Clean the inner surface of the appliance with moist soapy cloth. Then clean with wet cloth and dry. Clean the showcase shelves after every use.
- Pay attention the cleaning materials to be hygienic.
- Do not use abrasive cleaning chemicals as these can leave harmful residues.
- Do not clean the appliance by spraying water directly ,otherwise electric motor may get damaged.

➤ **PERIODIC CLEANING AND MAINTENANCE**

- Maintenance should be done by qualified person.
- Get the periodic maintenance of the appliance once in every 15 days.
- Clean the condenser at motor once in a month with plastic hard brush.
- Clean the fan in periodic times.
- Clean the upper lighting lamp with dry cloth in periodic times.

PLUTON MEAT AND APPETIZER SHOWCASE (FLAT GLASS)

F TROUBLESHOOTING

THE APPLIANCE DOESN'T OPERATE	<ol style="list-style-type: none">1. Check if the appliance is plugged in.2. Check the electrical connections and voltage.3. Check if the fuse is on or off.
--------------------------------------	--

THE APPLIANCE IS NOISY	<ol style="list-style-type: none">1. Check the motor.
-------------------------------	---

THE APPLIANCE STOPPED	<ol style="list-style-type: none">1. The appliance can stop due to low voltage. In this situation check the voltage.2. If there is any leakage current at electric connections, the appliance stops. In this situation call the authorized service.
------------------------------	--

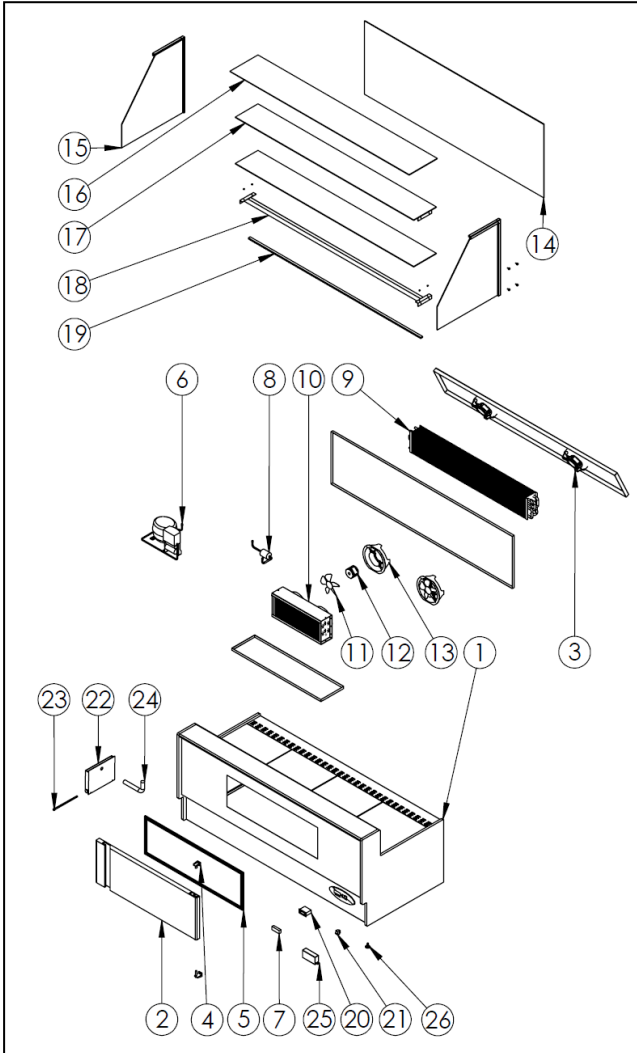
INNER TEMPERATURE IS TOO HIGH	<ol style="list-style-type: none">1. Clean the condenser.2. Check the air conditioning.3. If the hot product is inserted, take it off.4. If the door is opened, close it.
--------------------------------------	--

<ul style="list-style-type: none">• If meats and appetizers are not kept at suitable quality• If any function of security doesn't work<ul style="list-style-type: none">➤ Do not use the appliance.
--

***If these problems are still going on, contact with our authorized services.**

PLUTON MEAT AND APPETIZER SHOWCASE (FLAT GLASS)

G SPARE PART LIST- EXPLODING DRAWINGS



VT.D100 – VT.D130

PLUTON MEAT AND APPETIZER SHOWCASE (FLAT GLASS)

G SPARE PART LIST- EXPLODING DRAWINGS

PRODUCT CODE : EMP.VT.D100		
NUMBER	PRODUCT NAME	P.CODE
1	BASE FRAME	Y.VT.D100.1001
2	LID	Y.VT.D100.1002
3	FAN	Y.VT.D100.1003
4	HINGE	Y.VT.D100.1004
5	GASKET	Y.VT.D100.1005
6	MOTOR	Y.VT.D100.1006
7	DIGITAL SAFETY LID	Y.VT.D100.1007
8	DRAYER	Y.VT.D100.1008
9	EVAP COOLER	Y.VT.D100.1009
10	CONDANSER	Y.VT.D100.1010
11	ROTOR	Y.VT.D100.1011
12	FAN MOTOR	Y.VT.D100.1012
13	SAFETY GUARD	Y.VT.D100.1013
14	FRONT GLASS	Y.VT.D100.1014
15	SIDE GLASS	Y.VT.D100.1015
16	TOP GLASS	Y.VT.D100.1016
17	GLASS SHELF	Y.VT.D100.1017
18	LAMP HOLDER	Y.VT.D100.1018
19	LED	Y.VT.D100.1019
20	THERMOSTAT	Y.VT.D100.1020
21	SWITCH (ON-OFF)	Y.VT.D100.1021
22	VAPOR CUP	Y.VT.D100.1022
23	VAPOR RESISTANCE	Y.VT.D100.1023
24	HOSE	Y.VT.D100.1024
25	LED TRANSFORMER	Y.VT.D100.1025
26	FEET	Y.VT.D100.1026

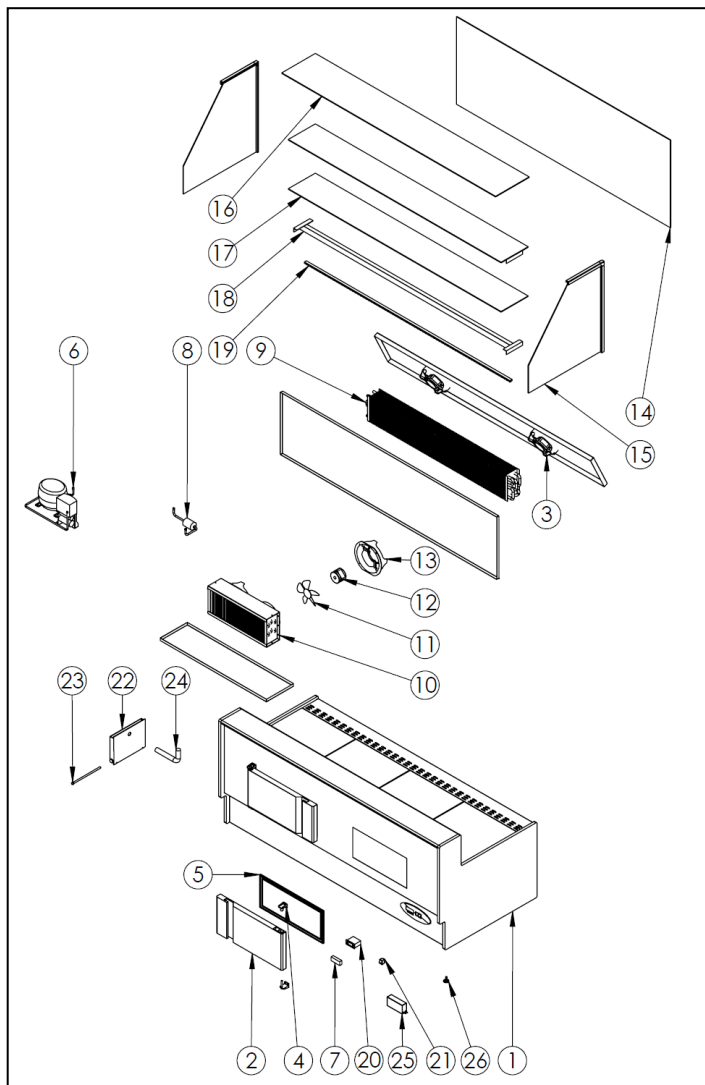
PLUTON MEAT AND APPETIZER SHOWCASE (FLAT GLASS)

G SPARE PART LIST- EXPLODING DRAWINGS

PRODUCT CODE : EMP.VT.D130		
NUMBER	PRODUCT NAME	P.CODE
1	BASE FRAME	Y.VT.D130.1001
2	LID	Y.VT.D130.1002
3	FAN	Y.VT.D130.1003
4	HINGE	Y.VT.D130.1004
5	GASKET	Y.VT.D130.1005
6	MOTOR	Y.VT.D130.1006
7	DIGITAL SAFETY LID	Y.VT.D130.1007
8	DRAYER	Y.VT.D130.1008
9	EVAP COOLER	Y.VT.D130.1009
10	CONDANSER	Y.VT.D130.1010
11	ROTOR	Y.VT.D130.1011
12	FAN MOTOR	Y.VT.D130.1012
13	SAFETY GUARD	Y.VT.D130.1013
14	FRONT GLASS	Y.VT.D130.1014
15	SIDE GLASS	Y.VT.D130.1015
16	TOP GLASS	Y.VT.D130.1016
17	GLASS SHELF	Y.VT.D130.1017
18	LAMP HOLDER	Y.VT.D130.1018
19	LED	Y.VT.D130.1019
20	THERMOSTAT	Y.VT.D130.1020
21	SWITCH (ON-OFF)	Y.VT.D130.1021
22	VAPOR CUP	Y.VT.D130.1022
23	VAPOR RESISTANCE	Y.VT.D130.1023
24	HOSE	Y.VT.D130.1024
25	LED TRANSFORMER	Y.VT.D130.1025
26	FEET	Y.VT.D130.1026

PLUTON MEAT AND APPETIZER SHOWCASE (FLAT GLASS)

G SPARE PART LIST- EXPLODING DRAWINGS



VT.D160 - VT.D200

PLUTON MEAT AND APPETIZER SHOWCASE (FLAT GLASS)

G SPARE PART LIST- EXPLODING DRAWINGS

PRODUCT CODE : VT.D160		
NUMBER	PRODUCT NAME	P.CODE
1	BASE FRAME	Y.VT.D160.1001
2	LID	Y.VT.D160.1002
3	FAN	Y.VT.D160.1003
4	HINGE	Y.VT.D160.1004
5	GASKET	Y.VT.D160.1005
6	MOTOR	Y.VT.D160.1006
7	DIGITAL SAFETY LID	Y.VT.D160.1007
8	DRAYER	Y.VT.D160.1008
9	EVAP COOLER	Y.VT.D160.1009
10	CONDANSER	Y.VT.D160.1010
11	ROTOR	Y.VT.D160.1011
12	FAN MOTOR	Y.VT.D160.1012
13	SAFETY GUARD	Y.VT.D160.1013
14	FRONT GLASS	Y.VT.D160.1014
15	SIDE GLASS	Y.VT.D160.1015
16	TOP GLASS	Y.VT.D160.1016
17	GLASS SHELF	Y.VT.D160.1017
18	LAMP HOLDER	Y.VT.D160.1018
19	LED	Y.VT.D160.1019
20	THERMOSTAT	Y.VT.D160.1020
21	SWITCH (ON-OFF)	Y.VT.D160.1021
22	VAPOR CUP	Y.VT.D160.1022
23	VAPOR RESISTANCE	Y.VT.D160.1023
24	HOSE	Y.VT.D160.1024
25	LED TRANSFORMER	Y.VT.D160.1025
26	FEET	Y.VT.D160.1026

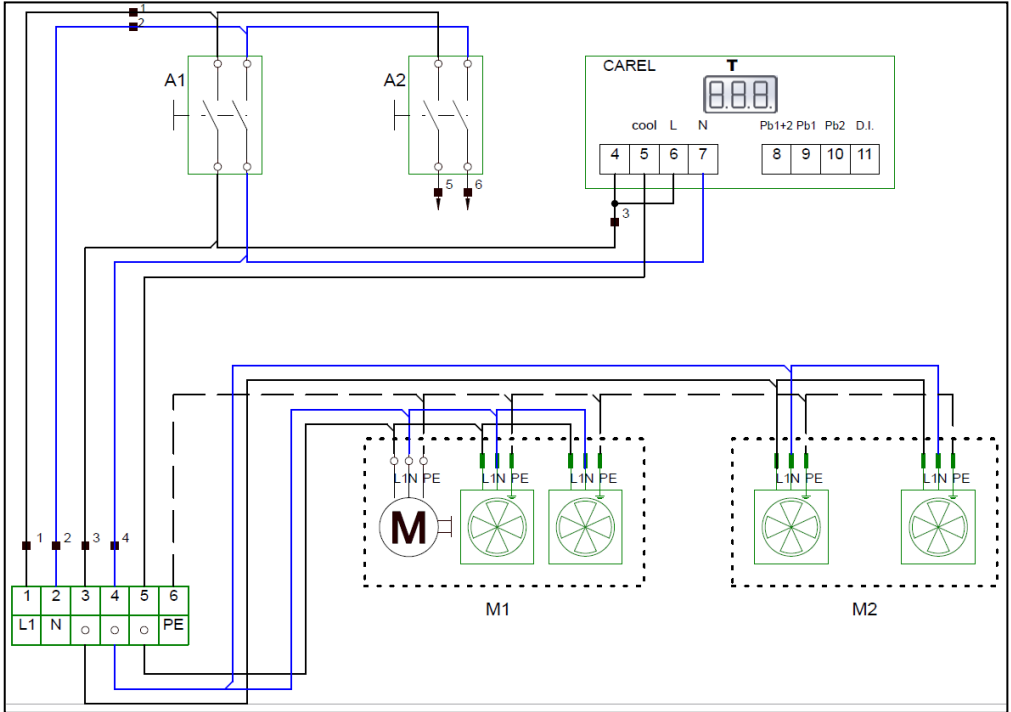
PLUTON MEAT AND APPETIZER SHOWCASE (FLAT GLASS)

G SPARE PART LIST- EXPLODING DRAWINGS

PRODUCT CODE : VT.D200		
NUMBER	PRODUCT NAME	P.CODE
1	BASE FRAME	Y.VT.D200.1001
2	LID	Y.VT.D200.1002
3	FAN	Y.VT.D200.1003
4	HINGE	Y.VT.D200.1004
5	GASKET	Y.VT.D200.1005
6	MOTOR	Y.VT.D200.1006
7	DIGITAL SAFETY LID	Y.VT.D200.1007
8	DRAYER	Y.VT.D200.1008
9	EVAP COOLER	Y.VT.D200.1009
10	CONDANSER	Y.VT.D200.1010
11	ROTOR	Y.VT.D200.1011
12	FAN MOTOR	Y.VT.D200.1012
13	SAFETY GUARD	Y.VT.D200.1013
14	FRONT GLASS	Y.VT.D200.1014
15	SIDE GLASS	Y.VT.D200.1015
16	TOP GLASS	Y.VT.D200.1016
17	GLASS SHELF	Y.VT.D200.1017
18	LAMP HOLDER	Y.VT.D200.1018
19	LED	Y.VT.D200.1019
20	THERMOSTAT	Y.VT.D200.1020
21	SWITCH (ON-OFF)	Y.VT.D200.1021
22	VAPOR CUP	Y.VT.D200.1022
23	VAPOR RESISTANCE	Y.VT.D200.1023
24	HOSE	Y.VT.D200.1024
25	LED TRANSFORMER	Y.VT.D200.1025
26	FEET	Y.VT.D200.1026

PLUTON MEAT AND APPETIZER SHOWCASE (FLAT GLASS)

H ELECTRIC CIRCUIT SCHEMA



I	A1	A2	PROB1	PROB2	M1	M2	T
Terminal	Large lighted 0-1 digital indicator switch	Large lighted 0-1 lighting switch	EVAB Probe	Tank Probe	Compress or and condenser fan 0,5 KW	Showcase inner cooling fan 220V	Digital indicator