

Installation & Operation Manual

Ice Cream Display Freezer



Disposal

Help protect the environment and human health. Put the packaging in applicable containers to recycle it. Help to recycle waste of electrical and electronic appliances. Do not dispose appliances marked with this symbol with the household waste. Return the product to your local recycling facility or contact your municipal office.

Contents

Contents 1

Circuit Diagrams..... 2

Non-Trouble Phenomenon..... 2

Safety Cautions..... 3

Preparation & Installation..... 4

Operation Caution.....5

Temperature Adjustment..... 5

Defrosting..... 5

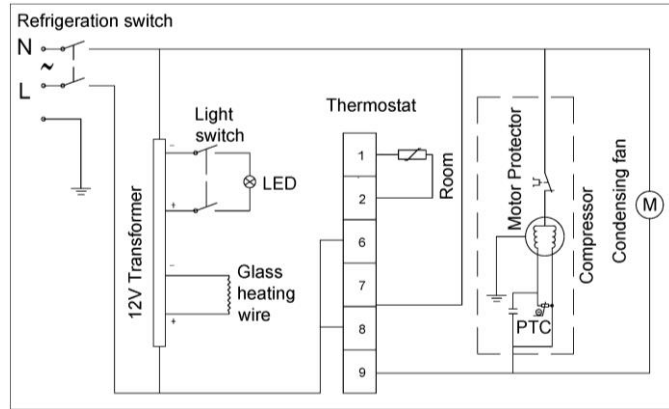
Cabinet Cleaning.....6

Packing List..... 6

Technical Data..... 7

Self-judgment and handling of minor faults..... 7

CIRCUIT DIAGRAMS



NOTICE: These diagrams should be used comparing with the tags

NON-TROUBLE PHENOMENON

Phenomenon	Cause
Sound of liquid flowing or boiling	Normal sound of refrigerant in the pipeline, it may also happen when the compressor stops.
Sound of starting compressor	The motor sounds when the compressor works, the sound will be louder when starting and stopping, which are normal phenomenon.
Moisture on the outside of the cabinet or surrounding the door.	When it is rainy season or a humid day, there will be slight condensation, which is the same reason why there are water drips on the outside of cold cups
Extraordinary noise	Whether the ground is flat or the machine is stable or not
	Whether the dispenser touches the wall or other things
Strange smell in the cabinet	Whether the icecream has gone bad
	Whether the cabinet inner need to be cleaned
Compressor always working	If the temperature is not low enough, please check: Whether the wind path of the compartment is blocked Whether the door is not closed tightly or the door is opened too frequently Whether the ambient temperature is too high If the inside temperature is too low and it is too hard for scooping, please adjust the electronic thermostat 1-2 °Chigher(please refer to the temperature adjustment)

TECHNICAL DATA

Model	Climate	Power Supply	Bulk Volume(L)	Rated Power	Rated Current	Kw.h /24h	Refrigeration & Charge
TEVHA3	4	220~240V 50Hz	49	180W	1.3A	3.2	R290 38g
TEVHA67	4	220~240V 50Hz	49	180W	1.3A	3.2	R290 38g
TEVHA2	4	220~240V 50Hz	32.4	180w	1.3A	2.8	R290 28g

These datas are tested under standard conditions, if any changes, please refer to the tag, this information may alter without notice.

The climatic class of the appliance is 4, it means that it can work in the ambient .

Self-judgment and handling of minor faults

Ice machine not working	Please check circuit: <ul style="list-style-type: none"> ◆ Check whether safety fuse is in a good working condition ◆ Check whether any poor contact between plug and socket ◆ Please check whether input and control wiring has any failure
Compressor operates without stopping	If the temperature inside ice machine is not low enough, please check: <ul style="list-style-type: none"> ◆ Check whether any blockage at air outlet and return air inlet ◆ Check whether door is not closed properly or frequent opening ◆ Check whether the environment temperature is excessively high ◆ If temperature inside ice machine is excessively low and hand-feeling of ball-making is tough, please regulate electronic temperature controller's temperature 1-2°C higher (Please refer to the part of Temperature Regulating in detail)
Excessive noise	<ul style="list-style-type: none"> ◆ Check whether the placement of ice machine is stable ◆ Check whether any part of ice machine contacts with other article or wall ◆ The noise indicated in technical data is the average data obtained in the standard lab without external noise by placing the ice machine without storing any article on rubber pad and i meter from ground surface, and keeping a stable operation after closing door excluding turning on/off machine. In the course of using, due to the impacts e.g. storing articles, environment

Turn off the power and open the door when you defrost. If you want to speed up the defrosting, put a bowl of hot water (50°C) inside the cabinet. Turn on the power after defrosting, then put the food in 1 hour later

CABINET CLEANING

- ◆ Always unplug your cabinet before cleaning. Clean the cabinet with a warm wet wipe and some neutral detergent, then wipe down with a dry cloth. Do wipe off the greasy dirt on the plastic parts avoid the materials aging.
- ◆ DO NOT use hot water, harsh chemicals, soap, abrasives, petrol, thinner, alcohol, organic solvents or brushes.
- ◆ DO NOT wash machine with water directly in case of destroying the insulation.
- ◆ Check and dry the plug and power cords after cleaning the machine.
- ◆ Please use dry wipes when cleaning electric parts.
- ◆ The machine can be used after cleaning and getting the inside dried.
- ◆ Once power cut off, wait for at least 5 minutes before plugging in again to avoid damaging the compressor or the system.

PACKING LIST

Model	User's Manual	Defrosting shovel
TEVHA3/TEVHA67/TEVHA2	1	1


This product will be continuously improved. We reserve the rights of changing the component of the cooler, without further notice, please accept our apologies.

According to the requirements of different customers, the components and quantity in the packing list may be a little different.

SAFETY CAUTIONS

Please read carefully and observe the following safety precaution

The power outlet must be in accordance to the tag, and use a separate European style socket ($\geq 10A$) and Plug. The sockets of the freezer should be connected to stable ground wire.	The plug and the socket must be fastened together, or it may cause fire. DO NOT crush or drag the plug, DO NOT damage the power wire
Putting inflammable and explosive dangers and serious acid-base things into the cabinet prohibited. DO NOT use appliances inside the cabinet.	If there is electricity leakage, abnormal noise, smells or smoke, please turn off power and contact our after-sales service department.
You should install suitable automatic voltage regulator not less than 750w when the voltage beyond the range from 187V to 242V.	Before renewing the lamp, cleaning or maintaining the cabinet, or if you are not using the cabinet for a long time, please pull out the plug
If the power cord is damaged, do not use it, contact us immediately to change for the new one in the appointed service point. DO NOT disassemble, maintain or alter it by yourself.	DO NOT keep liquid food in glass bottles or pots, as frozen glass may break. DO NOT touch the food and container in the cabinet with your wet fingers in case your fingers are injured.
Once gas leaks, DO NOT touch the cabinet, shut the gas valve first, then open the window letting the air in. DO NOT insert or pull out the plug of the cabinet.	This appliance can be used by children aged from 8 years and above and persons with reduced physical, sensory or mental capabilities or lack of experience and knowledge if they have been given supervision or instruction concerning use of the appliance in a safe way and understand the hazards involved. Children shall not play with the appliance. Cleaning and user maintenance shall not be made by children without supervision.
Children aged from 3 to 8 years are allowed to load and unload refrigerating appliances.	
Since the flammable insulation blowing gases are used, please contact the professional agent or our after-sale service to dispose of the appliance.	Since the flammable refrigerants are used, please installed, handle, and service the appliance strictly according to the instruction and contact the professional agent or our after-sale service to dispose of the appliance.
For appliances use flammable refrigerants, the information pertaining to the handling, servicing and disposal of the appliance must be complied with.	If the supply cord is damaged, it must be replaced by the manufacturer, its service agent or similarly qualified persons in order to avoid a hazard.
This appliance is not intended for use by persons (including children) with reduced physical, sensory or mental capabilities, or lack of experience and knowledge, unless they have been given supervision or instruction concerning use of the appliance by a person responsible for their safety. Children should be supervised to ensure that they do not play with the appliance.	

If the supply cord is damaged, it must be replaced by the manufacturer, its service	-WARNING: When positioning the appliance, ensure the supply cord is not trapped or
-WARNING: Do not locate multiple portable socket-outlets or portable power supplies at the rear of the appliance.	- WARNING: Keep clear of obstruction all ventilation openings in the appliance enclosure or in the structure for building-in.
- WARNING: Do not use mechanical devices or other means to accelerate the defrosting process, other than those recommended by the manufacturer.	- WARNING: Do not damage the refrigerant circuit.
- WARNING: Do not use electrical appliances inside the food/ice storage compartments unless they are of the type recommended by the manufacturer.	WARNING: In order to reduce flammability hazards the installation of this appliance must only be carried out by a suitably qualified person.
Do not store explosive substances such as aerosol cans with a flammable propellant in this appliance.	 <p>The symbol indicate there is risk of fire since flammable materials used.</p>

PREPARATION & INSTALLATION

- ◆ Remove all packing, including the foam base and the adhesive tape.
- ◆ Uplift the cabinet from bottom when moving it, do not lift or pull the door.
- ◆ When moving the cabinet, keep it upright, if it needs inclination, please lift it from both sides and the angle of inclination between the compartment body and the ground should be more than 45° .
- ◆ Please move carefully and avoid collision and shocking, in case damaging the appearance or breaking the refrigerating pipes.
- ◆ Keep the cabinet away from heat source, in a well-ventilated, dry place, out of sunshine.

- ◆ Put the cabinet on a solid and flat surface. If the ground is not level, the leveling legs can be adjusted to keep the cabinet level.
- ◆ Keep 100mm space surrounding the cabinet for heat dissipation.
- ◆ DO NOT put the cabinet in a wet or splash prone area, if there is splash please clean it with a soft cloth immediately.

OPERATING CAUTION

Do not put the icecream in immediately after the freezer being plugged in, please put the icecream in after the freezer has operated for about 1 hour

TEMPERATURE ADJUSTMENT

- ◆ The inner temperature will effect the temperature of the icecreamand the scooping. If the temperature is too low and it is hard toscoop, the temperature should be adjusted 1-2°C higher by turning the thermostat(eg. from -29°C to -27°C);if the temperature is too high andit is too soft for scooping, the temperature should be adjusted 1-2°C lower(eg. from -27°C to -29°C)
- ◆ The temperature displayed is the temperature of the air on the bottom of the cabinet, not the real temperature of the icecream inthe cabinet.The setted number in thermostat is the lowest temperatureon the bottom of the cabinet, the default temperature is -29°C.It wouldbe best to set the temperature ranging from -27°C to -29°C, if the temperature is too high it would be too soft for scooping, if the temperature is too low but the ambienttemperature too high(higher than 38°C),the machine would work all the time.
- ◆ Setting of the electronic thermostat: Press the **SET** button for 1-2 seconds, the setted number would flash, then use the ▲ ⏻ to increase and use the ▼ ❄️ to reduce the temperature, finally press **SET** to confirm the new settings.

DEFROSTING

The cabinet needs to be defrosted by hand, after a long time of use, it will frost on the interior liner, which will affect the refrigeration and increase the power consumption. So when the ice gets thick, it should be defrosted immediately.

DO NOT use sharp or mechanical tools or electric heater to defrost.