

Operation Manual



Warning: Please read this manual carefully before using.

1. Description

The product is the cooling facility special designed for hotel, restaurant, supermarket, cake house to show cake, soft drink, food etc.

It has handsome appearance quality material, vacuum movable door, transparent glass and inner light. Cooling system adopted famous brand of whole close cooling compressor and all kinds of spare parts.

Therefore, the product has the strongpoint of handsome appearance, rational design, quick cooling, electric saving, low noise, no frost and suitable temperature.

2. Main Technical Parameters

Type	temperature	Voltage/ Frequency	Input total power	Refrigerant	Dimensions(mm)
KTG107-SF	2~8°C	220~240V 50Hz	450W	R290	1000x730x1200
KTG157-SF			550W		1500x730x1200
KTG207-SF			650W		2000x730x1200
KTGSF107S			450W		1000x730x1200
KTGSF157S			550W		1500x730x1200
KTGSF207S			650W		2000x730x1200
TKVG66-SFN			160W	R600a	660x530x730
TKVG90-SFN			200W		900x530x730
TKVG120-SFN			320W		1200x530x730
SKAVG513N			180W		1340x420x315
KTG107W			825W	R290	1000*740*1900
KTG127W			995W		1200*740*1900
KTG157W			1255W		1500*740*1900
KTG187W			1520W		1800*740*1900
WKRN220N			980W		700*670*1900

3.Safety attention

- (1) You must use single-phase three poles power socket, its grounding E must be grounded reliably.
- (2) Forbid stocking volatile, erosive, radioactive, flammable, explosive, poisonous and polluted dangerous food.
- (3) Please don't put power wire on aisle to prevent heaving pressure and edge tool from creepage accident.
- (4) Don't wash the showcase by water to prevent from short circuit and creepage accident.
- (5) Please cut off power socket when repairing or replacing light.

4.Operation attention

- (1) Please put the showcase lightly when moving and gradient isn't more than 45°.

(2) Please put it in ventilated and dry place and be away from heat source and dust to prevent from affecting cooling effect.

(3) If the socket don't have grounding device, please make the hull ground to prevent from creepage accident.

(4) The power capacity shouldn't be less than 200V, please check circuitry and capacity before operation. If the power isn't coherent with power requirement, please add manostat whose capacity is more than 1000W before reusing.

(5) The thermostat has been adjusted to best place before out of factory. You shouldn't adjust it.

(6) The time between turn off and turn on again can't be less than 3 minutes.

(7) Please don't put too much or overhot food.

(8) Please assure the inner and surface of showcase is clean.

(9) It has water plate, you should get rid of the water in the plate periodically.

5. Maintenance

(1) If found special situation, please don't dismantle parts and should invite professional technician.

(2) The time between turn off and turn on again should be more than 3 minutes.

(3) Please get rid of dust and oil pollution periodically to improve cooling effect.

(4) If you stop operating the showcase for a long time, you should cut off power, make it clean and put it in dry and ventilated place. Please check the electrical wire strictly by technician before operation again.

6. Familiar trouble and salvation

Phenomena	Possible reason		Check content	Solvation	
Indicator doesn't work	Compressor doesn't work	Power has no electric	Check by multimeter	Connect power	
		Socket is loose	examine	Tight socket	
		Thermostat foot is loose	Check by multimeter	Jointing or tighten it	
		Relay foot is loose	Check dismantled cover	Tighten it	
	Compressor is working	Indicator doesn't work	Dismantle indicator	Replace indicator	
Indicator foot is loose		examine	Tighten foot		
Compressor is working	Inner temperature is too high	Evaporator wing is blocked by ice	Cooling fan doesn't work	Check by multimeter	Replace fan
			Temperature is too low	examine	adjust
		Opening door too often			Opening door as few

				as possible
		Stock is too large		Take out some food
		Environment temperature is too high		Test by temperature meter Improve environment temperature
		Cooling fan doesn't work	Cooling fan is bad	Check by temperature Replace fan
			Foot is loose	examine Tighten foot
	Inner temperature has been achieved	Thermostat is bad		Check thermostat Replace thermostat
High noise	Showcase isn't put flat		examine	Make flat
	Fan/compressor foot is loose		examine	Tighten screw

7. Guarantee

We are responsible for maintenance for 1 year in the case of operation according to the user's manual. If the spare parts is bad caused by our bad quality, we are responsible for replace and repairing (except glass)

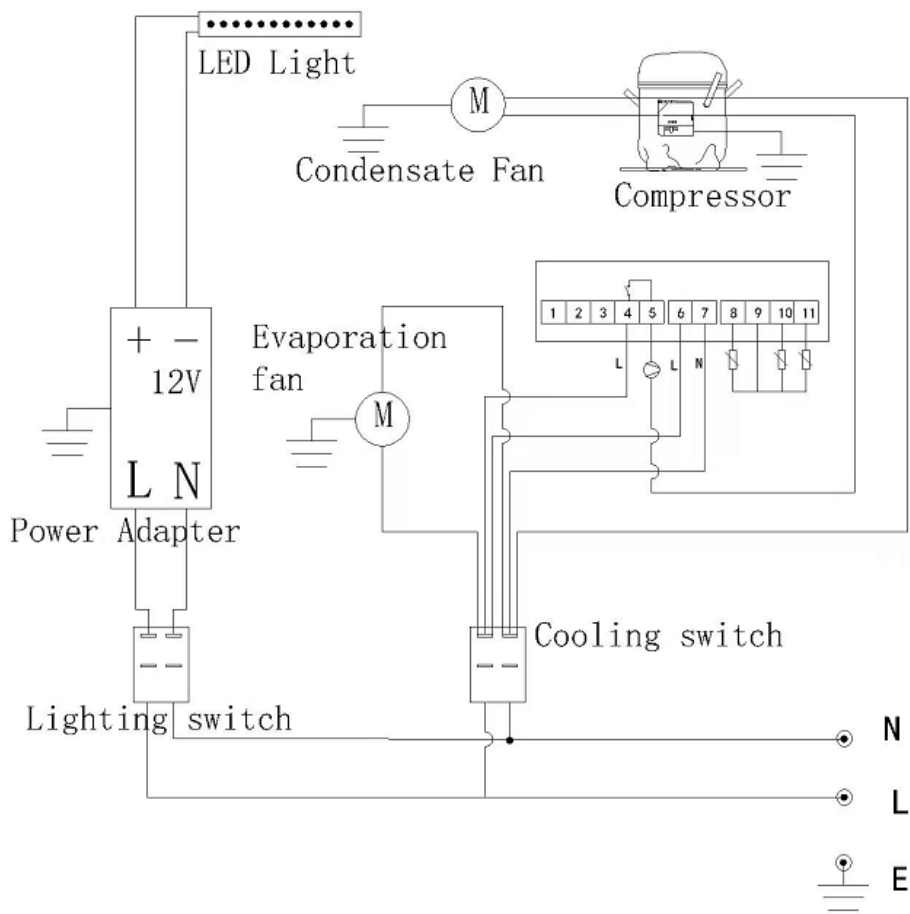
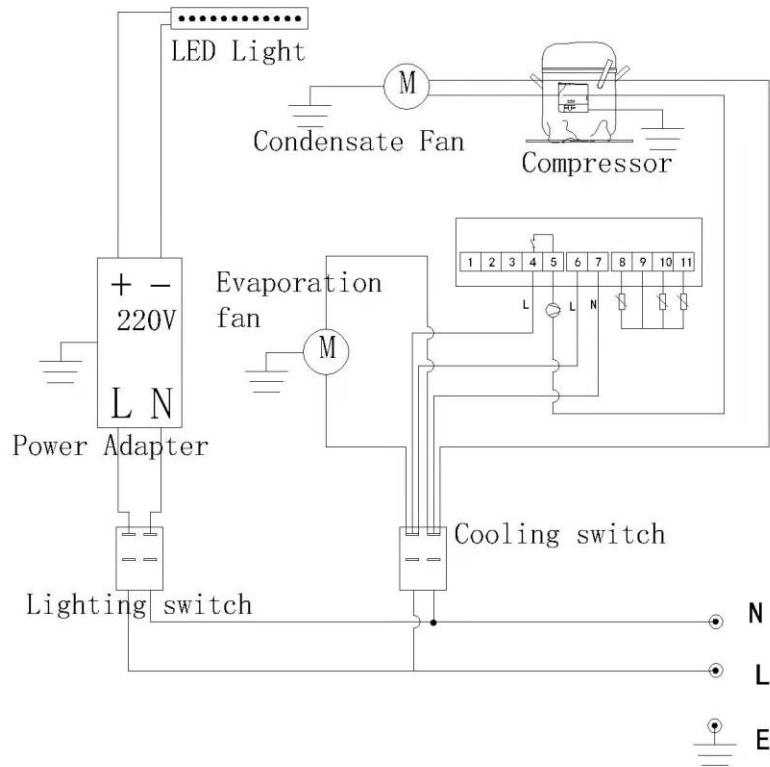
You should pay rational fee after repairing the trouble caused by reasons as follows:

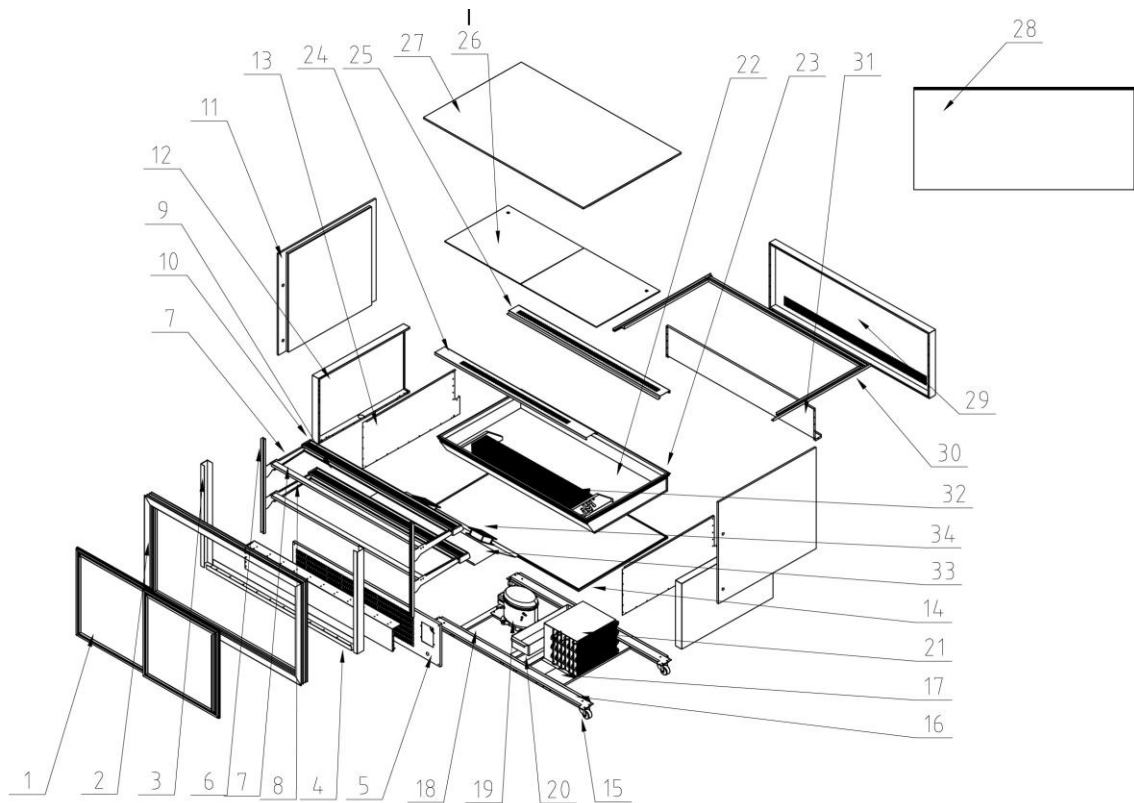
- (1) The trouble caused by disobeying requirements on user's manual.
- (2) The trouble caused by using spare parts by yourself.
- (3) The trouble caused by bad capacity fluctuate value or other natural factor.

8. Other

There's something with product.

- (1) 1 copy of user's manual.
- (2) Principle picture





1	Hollow glass door door Hollow glass door Hollow glass door	13	Foamed frame side sealing plate	25	Return air grille
2	Doorframe	14	Foamed frame bottom shell	26	Bottom plate
3	Column side panel	15	2 inch universal wheel	27	Roof glass
4	Doorframe crossbandbottom	16	Under frame support plate	28	Front baffle glass
5	Switch panel	17	Condenser support plate	29	Foamed frame front plate
6	Ladder	18	Compressor support plate	30	Glass bottom frame(PVC)
7	Bracket	19	Compressor	31	Foamed frame front sealing plate
8	Shelf back crossbar	20	Water receiving box (PVC)	32	Evaporator
9	Lampshade (aluminium alloy)	21	Condenser	33	Fan plate
10	Lampshade end cap(PVC)	22	Inner tank component	34	Evaporator fan
11	Sideboard glass	23	component(PVC)		
12	Foamed frame sideboard	24	Air outlet		