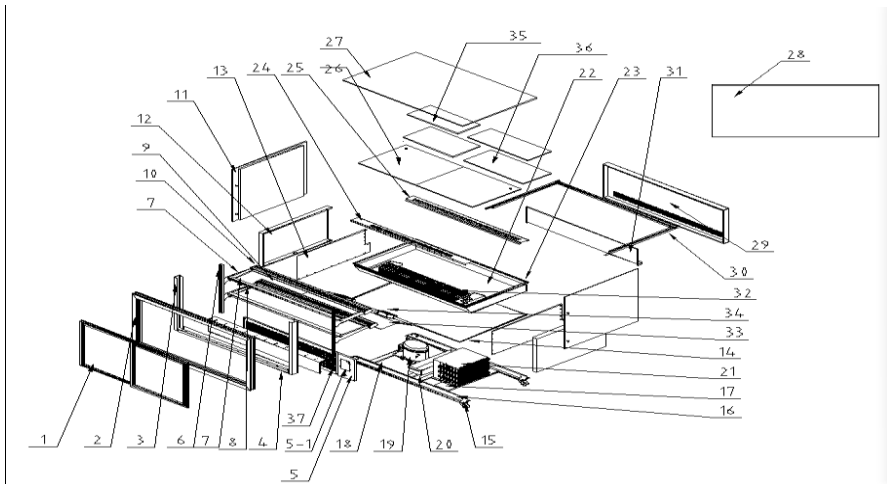


1.5M Two floors of right angle cake cabinet.



no.	Accessories name	brand name	specifications and models	Size	Qty	Remark
1	sliding door				2	
2	Integrated door frame				1	
3	filter				1	
4	Stainless steel box				1	
5	Switch panel				1	
5-1	Temperature control plastic panel				1	
6	Steps (columns)				2	
7	Bracket sheet				4	
8	Post-shelf cross bar				2	
9	Lampshade (aluminum alloy)				2	
10	Lampshade end cover				4	
11	2.0M Side glass				2	
12	Outer plate				2	
13	Side sealing plate				2	
14	Outer bottom plate				1	
15	2.0 inch universal wheel.				4	
16	chassis				1	
17	Condenser support plate				1	Integral
18	Compressor support plate				1	
19	compressor				1	
20	Water receiving box				1	
21	condenser				1	
22	Liner bottom plate				1	
23	Foaming mouth frame				1	
24	air outlet				1	
25	air return grille				1	
26	Bottom plate				2	
27	2.0M Roof glass				1	
28	1.0M Panel glass				1	
29	Outer plate				1	
30	Glass decorative strip				1	
31	Front sealing plate				1	
32	evaporator				1	
33	Fan board				1	
34	axial flow fan				3	
35	ventlight				1	
36	Upper glass				2	
37	Lower glass				2	