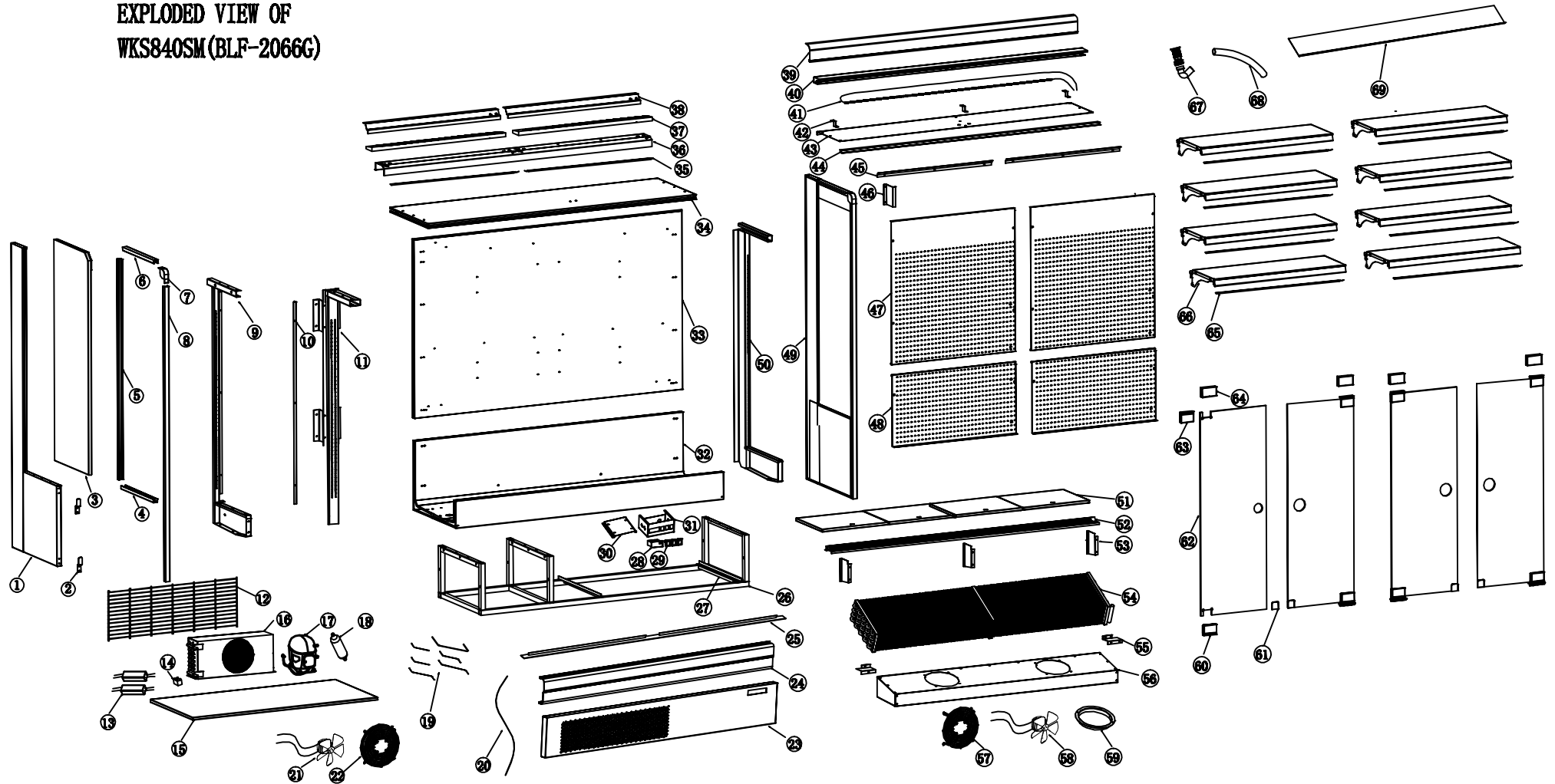


EXPLODED VIEW OF
WKS840SM (BLF-2066G)



SPARE PART LIST OF WKS840SM(BLF-2066G)				
1	Foaming side panel	1		
2	Side panel glass front edge strip support	2		
3	Whole machine vertical cabinet side glass (660)	2		
4	The whole machine vertical cabinet side glass edging - down (660)	2		
5	Whole machine vertical cabinet side glass edging - rear (660, 780)	2		
6	Whole machine vertical cabinet side glass edging - up (660)	2		
7	Side panel corner - black	2		
8	Whole machine vertical cabinet side glass edging - front (660, 780)	2		
9	Side support - left component	1		
10	Inner rear plate support	4		
11	Middle support component	1		
12	Cabin rear grille	1		
13	LED light power supply	2		
14	Relay	1		

15	Unit tray	1		
16	Condenser	1		
17	compressor	1		
18	Dry filter	1		
19	Unit piping	1		
20	Capillary	1		
21	Condensing fan	1		
22	Condensing fan grille	1		
23	Cabin front hood	1		
24	Box front cover	1		
25	Front cabinet	1		
26	Cabin rack assembly	1		
27	Unit tray support	2		
28	Electronic thermostat	1		
29	electronic switch	3		
30	Thermostat panel hanging board	1		
31	Thermostat panel	1		
32	Foaming box - lower assembly	1		
33	Foaming box - medium component	1		
34	Foam box-top assembly	1		
35	dome light	2		

36	Lampshade	1		
37	Scatter block	2		
38	Air outlet front air deflector	2		
39	Upper beam	1		
40	Upper cover support	1		
41	Inner top plate heating wire	1		
42	Inner roof support	3		
43	Inner roof	1		
44	Scatter block support	1		
45	Rear air deflector	2		
46	Inner rear plate support	6		
47	Inner rear plate - upper	2		
48	Inner rear plate - down	2		
49	Side panel - right component	1		
50	Side support - right component	1		
51	Backplane assembly	4		
52	Return air outlet	1		
53	Return air support	3		
54	Evaporator	1		
55	Evaporator baffle	2		
56	Evaporative fan cover assembly	1		
57	Evaporating fan grille	2		

58	Evaporating fan	2		
59	Evaporating fan flange	2		
60	Lower hinge	4		
61	Door clamp	4		
62	Plexiglass door	4		
63	Upper hinge	4		
64	Upper hinge support block	4		
65	Baffle light strip	8		
66	Partition assembly	8		
67	Drain pipe assembly	1		
68	Drain pipe	1		
69	Evaporator cover	1		
70				