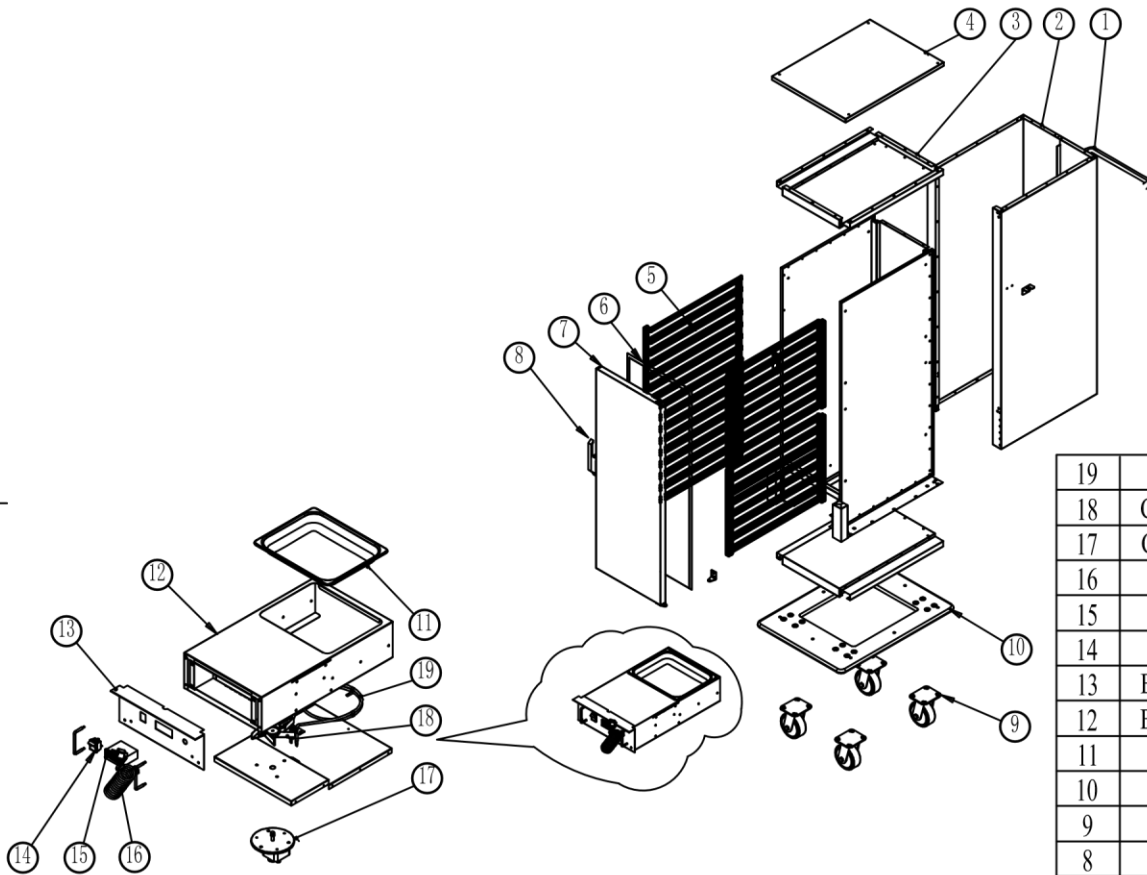


GGM Model No.: BWK1511
BWK711



19	CC030202053	Heater	1	SUS 304#	230V/1KW
18	CC030202001-02	Motor Fan	1	Stainless steel	
17	CC030202001-01	Motor	1	230V/50HZ/45W	
16	CC030203093	Power line	1	3*1.5mm ²	
15	CC030202004	Thermostat	1	30°C-90°C	
14	CC030202011	Switch	1	SUS 201#	
13	E-BWC-15-11-13	Control panel	1	SUS 201#	
12	E-BWC-15-11-14	Control box shell	1	SUS 201#	
11	CC030201027	Water pan	1	½ GN Pan	
10	CC030204050	Anticollosion plate	1	Black	
9	CC030201050	4"Castor	4		
8	CC030201072	Magnet handle	1		
7	E-BWC-15-11-20	Door	1	SUS 201#	
6	CC030204041	Rubber	1		
5	E-BWC-15-11-12	Shelf tray	4	SUS 201#	
4	E-BWC-15-11-05	Top panel inside	1	SUS 201#	
3	E-BWC-15-11-03	Top panel	1	SUS 201#	
2	E-BWC-15-11-02	Shell	2	SUS 201#	
1	CC030201072	Handle	1		
No.:	Code Number	Description	Qty	Remark	