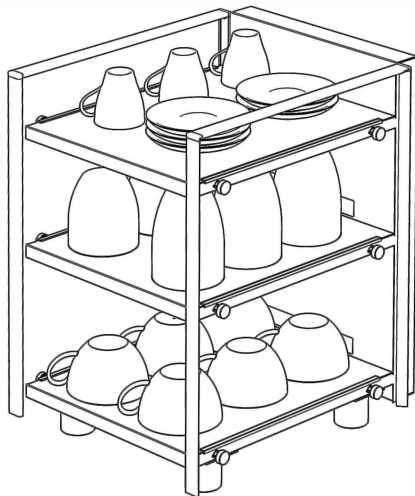


Warm Cup Holder

Instruction Manual

TWB100-3



Safety Caution



Notice!

- This cup warmer is an electrical product, and safety matters must be strictly observed to avoid accidents.
- In this manual, the important matters to prevent accidents and the use of the product are pointed out. Please read this manual carefully before using this product safely.
- After reading, please keep it safe for future reference.



Notice!

- Do not put the cup warmer on the carpet or other similar surfaces directly.
- After the cup warmer is turned on and heating, do not keep the bare skin in contact with the storage layer for a long time to prevent skin burns.
- When the product is in use, do not cover the product with clothing, noodles, bedding, paper, etc.
- Do not place the cup warmer in a humid environment, such as a laundry room, bathroom, etc.
- Do not knock the glass on both sides of the cup warmer to avoid the risk of imitation of limbs or electric shock due to glass fragmentation.
- Must use a well-grounded and fused socket
- When cleaning the cup warmer, please use water and neutral cleaning to clean the outer surface of the product. After cleaning, wipe it with a dry wipe to remove the remaining water on the surface.
- The product adopts a transparent and visual design, which is simple and fashionable. The two sides adopt reinforced tempered glass to improve the resistance of the product.
- After cleaning, allow enough time for the wiped parts to dry, especially to ensure that the power cord plug is completely dry before inserting the power cord into the socket.
- If this product has an unrecoverable failure, do not use it.

Packing List

- Cup Warmer 1pcs
- Power Plug 1pcs
- User Manual 1pcs

Product Overview

1. Technical Parameter

Product Name:	Cup Warmer
Item No.:	TWB100-3
Net Weight:	10.2kg
Gross Weight:	11.9kg
Power:	100W
Nominal Voltage:	AC 120V-240V
Packing Size:	464*390*536mm

2. Product Features

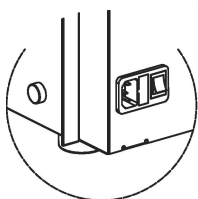
- The storage layer is made of food-grade 304 (18-8) stainless steel, and all parts are made of environmentally friendly materials. The products are non-toxic and harmless and meet environmental protection standards.
- The product adopts a transparent and visual design, which is simple and fashionable. The two sides adopt reinforced tempered glass to improve the resistance of the product.
- Using wide voltage power supply, the input voltage AC120V-240V can work safely, suitable for use in any area.
- The heating layer adopts low-voltage electric heating film heating, DC24V isolated power supply, long service life, safety and reliability.
- Ten color atmosphere lights are suitable for different places. Users can choose the suitable color atmosphere according to their own preferences.

- With automatic constant temperature function, dry environment, temperature control range: $56\text{ }^{\circ}\text{C} \pm 7\text{ }^{\circ}\text{C}$, this temperature can inactivate 99% of bacteria and effectively inhibit the growth of bacteria.
- This product has a wide range of applications and can be used for drying and disinfecting cups, plates, knives, forks, bowls, chopsticks, etc.

Instructions to use

1.Preparatory work

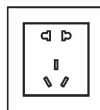
- Open the package, take out the product, put the product on a table with sufficient space, and insert the power cord suffix into the socket on the back of the product to ensure that the power cord is not blocked or squeezed.
- Insert the power cord plug into the power input socket and make sure that the contact between the plug and the socket is firm.
- The power input method is shown in the below line drawing:



Power plug position
(On the back of the product)



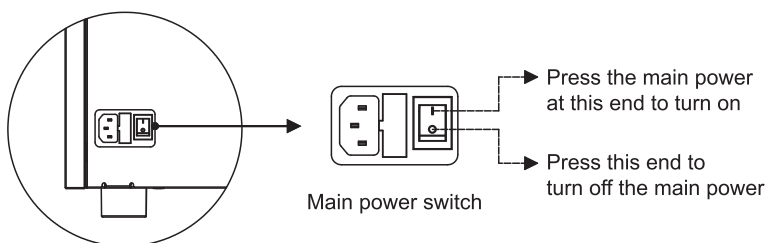
Power cord



Power outlet

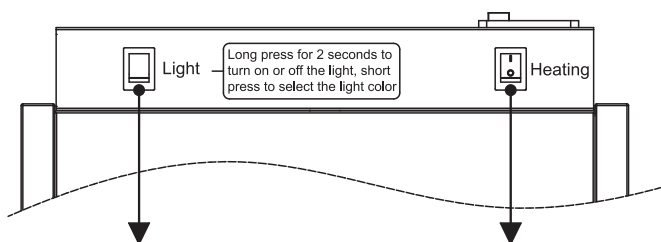
2. Power on instructions

Turn on the main power switch of the cup warmer, the switch position is on the back of the product, and the detailed operation is shown in the following figure for demonstration:



3. Instructions for heating, turning ambient light on

- Turn on the heating. The heating switch is turned on, the three storage layers also is turned on at the same time to be heating, and the heating is turned off by pressing the reverse direction.
- To turn on the ambient light. Press and hold the ambient light button for 2 seconds to turn on/off the ambient light.
- Please refer to the figure below for the opening method.



- Long press this button for 2 seconds, the ambient light will turn on
- After the ambient light is on, press and hold for 2 seconds to turn off
- Short press to select the ambient light color, 10 colors are available
- Press 1 to turn on the heating
- Press 0 to turn off the heating

Maintenance and Repair

1. The product power cannot be turned on normally.

Check whether the power input socket and power plug are loose, and determine whether the product is powered on.

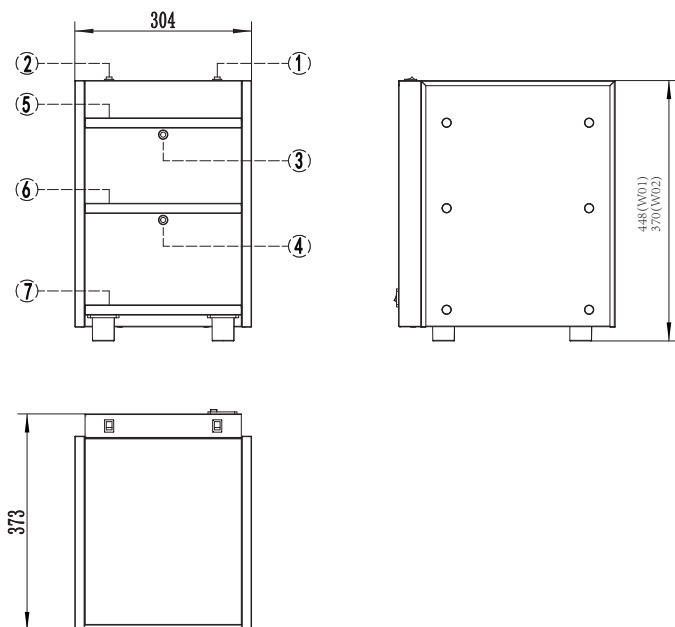
Check whether the main power switch on the back of the product is on.

2. The product cannot be heated.

Check whether the heating switch is turned on.

The cup warmer is heated by low voltage, and the temperature rises steadily. It takes 10-15 minutes for the temperature to reach a constant value. After turning on the machine, it takes a few minutes to sense the temperature rise.

Product Size:



Product function description

1. Main power switch, ON/OFF
2. Light adjustment key, long press for 2 seconds to turn on or off the light, short press to select the light color
3. The upper atmosphere light, ten colors can be selected
4. Atmosphere light in the lower layer, ten colors can be selected
5. Upper heating layer, temperature
6. Middle heating layer, temperature
7. Lower heating layer, temperature

