



## USER'S GUIDE

### Code

WSE2S

WSE3S



**DRAWER WARMER**

# DRAWER WARMER

## CONTENTS

---

<b>A</b>	<b>GENERAL INFORMATION .....</b>	<b>Page 2</b>
A1	PRODUCT DESCRIPTION .....	Page 3
A2	TECHNICAL INFORMATION .....	Page 3
A3	TRANSPORTATION .....	Page 4
A4	UNPACKING .....	Page 4
<b>B</b>	<b>INSTALLATION .....</b>	<b>Page 4</b>
<b>C</b>	<b>SAFETY INSTRUCTIONS .....</b>	<b>Page 5</b>
<b>D</b>	<b>OPERATION .....</b>	<b>Page 6</b>
<b>E</b>	<b>CLEANING &amp; MAINTENANCE .....</b>	<b>Page 8</b>
<b>F</b>	<b>TROUBLESHOOTING .....</b>	<b>Page 9</b>
<b>G</b>	<b>SPARE PART LIST- EXPLODING DRAWING .....</b>	<b>Page 10</b>
<b>H</b>	<b>ELECTRIC CIRCUIT SCHEMA.....</b>	<b>Page 18</b>

## A GENERAL INFORMATION

---

Before installing the appliance, read operation and maintenance instructions carefully. Wrong installation and part changing may damage the product or may cause injury on people. These are not in our company's responsibility to damage the appliance intentionally, negligence, detriments because of disobeying instructions and regulations, wrong connections. Unauthorized intervention to appliance invalidates the warranty.

1. This instruction manual should be kept in a safe place for future reference.
2. **Installation should be made in accordance with ordinances and security rules of that country by a qualified service personnel.**
3. This appliance has to be used by trained person.
4. Please turn off the appliance immediately in the event of malfunction or failure. The appliance should be repaired only by authorized service personnel. Please demand original spare part.

# DRAWER WARMER

## A1 PRODUCT DESCRIPTION

\*The Professional Drawer warmer, that provides high efficiency has been designed to be used in industrial kitchens.

Product Code	Dimensions (mm)	Weight (kg)	Packaging Dimensions (mm)
<b>WSE2S</b>	715X568X496	73	775X576X514
<b>WSE3S</b>	715X568X745	106	775X576X764

## A2 TECHNICAL INFORMATION

Product Code	Model	Capacity	Power (KW)	Operating Voltage (V)	Cable (mm <sup>2</sup> )	Insurance selection (A)
<b>WSE2S</b>	Two drawer heating unit	GN 1/1 2 Adet	3,4	220	3x2,5	16
<b>WSE3S</b>	Three drawer heating unit	GN 1/1 3 Adet	5,1	220	3x4	23

## A3 TRANSPORTATION

---

\*This appliance can not be moved by hand from area to area. It must be moved on pallet with forklift truck.

## A4 UNPACKING

---

\*Please unpack the package according to the security codes and ordinances of current country and get rid from the pack. Parts which contacts with food are produced by stainless steel. All plastic parts are marked by material's symbol.

\*Please check that all the parts of appliance had come completely and if they are damaged or not during the shipping.

## B INSTALLATION

---

\*Please place the product to straight and sturdy ground, please take necessary steps against possibility of overturn.

\*Technician who will serve for installation and service for the appliance must be professional on this subject and must have installation and service licenses by the company.

\*Connection to Electric Power Supply must be done by authorized person.

\*Please be sure that the voltage connected to appliance must be equal with the voltage which is on appliance's label.



This appliance must be connected to an earthed outlet in accordance with safety rules and standards.

\*Appliance's earthing must be connected to earthing line on panel which is nearest to electric installation.

\*Connection to the main fuse and leak current fuse must be done in accordance with the current regulations.

# DRAWER WARMER

## C SAFETY INSTRUCTIONS

---



\*Do not use the appliance in insufficient lighted place.



\*Do not touch the moving attachments while the appliance operates.



\*Do not install the appliance in the presence of flammable or explosive materials.



\*Do not operate the appliance when the machine is empty.



\*Do not load so less or more than appliance's capacity.



\*Do not attempt to use the appliance without suitable protective equipments.



\*Because of any reason if there is a fire or flame flare where the appliance is used, turn off all gas valves and electric contactor switch quickly and use fire extinguisher. Never use water to extinguish the fire.



\*All the damages because of not having earthing connection will not be on warranty.



\*Get the necessary cautions against electric danger.

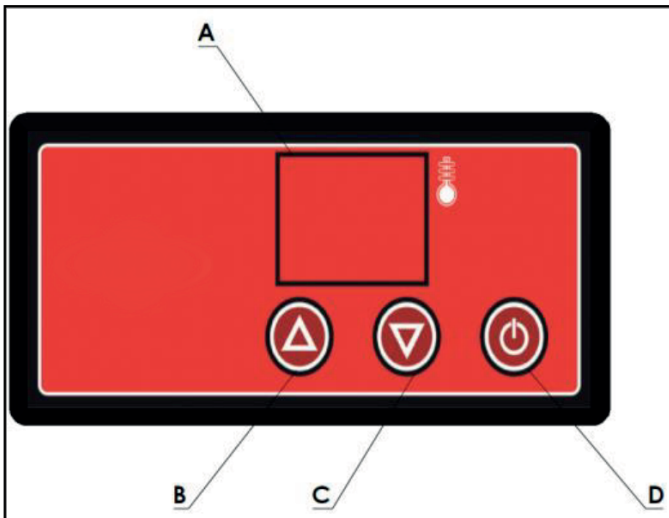


\*  
Do not leave the drawer open when moving the Heating Unit. Uncontrolled movement of the drawer can be dangerous. Unplug the plug from the socket.

## D OPERATION

---

\*Control Panel;



A : Digital Screen

B : Up Arrow Button

C : Down Arrow Button

D : ON/OFF Button

# DRAWER WARMER

## **\*Operating;**

- Plug in the appliance.
- Maximum operating temperature of the appliance is 99°. If it is more than 90°, the polyurethane may damage the body.
- For dry type heating drain the water in the pool through the drainage tap that is under the appliance.
- Press on/off button.
- Inner temperature will be seen after the lights of the indicator is ON.
- If you press set button of the digital thermostat, the temperature that was set before will be seen on the screen.
- Adjust the desired temperature with direction buttons.
- Press set button again.
- Inner temperature will be seen on the screen again. It means that the adjusted temperature is saved to the memory.
- Keep the drawer of the device as closed as possible to prevent heat loss.
- Unplug the device from the wall outlet when the device is not in use.



## **E      CLEANING & MAINTENANCE**

---

### ➤ **CLEANING AND MAINTENANCE AFTER EVERY USE**

- Be sure that the drawer is cold (below 40°C) before cleaning.
- Always turn off the appliance and disconnect from the power supply before cleaning.
- Clean inside and outside of appliance with hot water and then dry.
- Do not use abrasive cleaning chemicals as these can leave harmful residues.
- Do not clean the appliance by spraying water directly, otherwise electric motor may get damaged.

### ➤ **PERIODIC CLEANING AND MAINTENANCE**

- Maintenance should be done by qualified person.
- Get the periodic maintenance of the appliance once in every 15 days.
- At the end of each use, remove the tub and clean the appliance.

# DRAWER WARMER

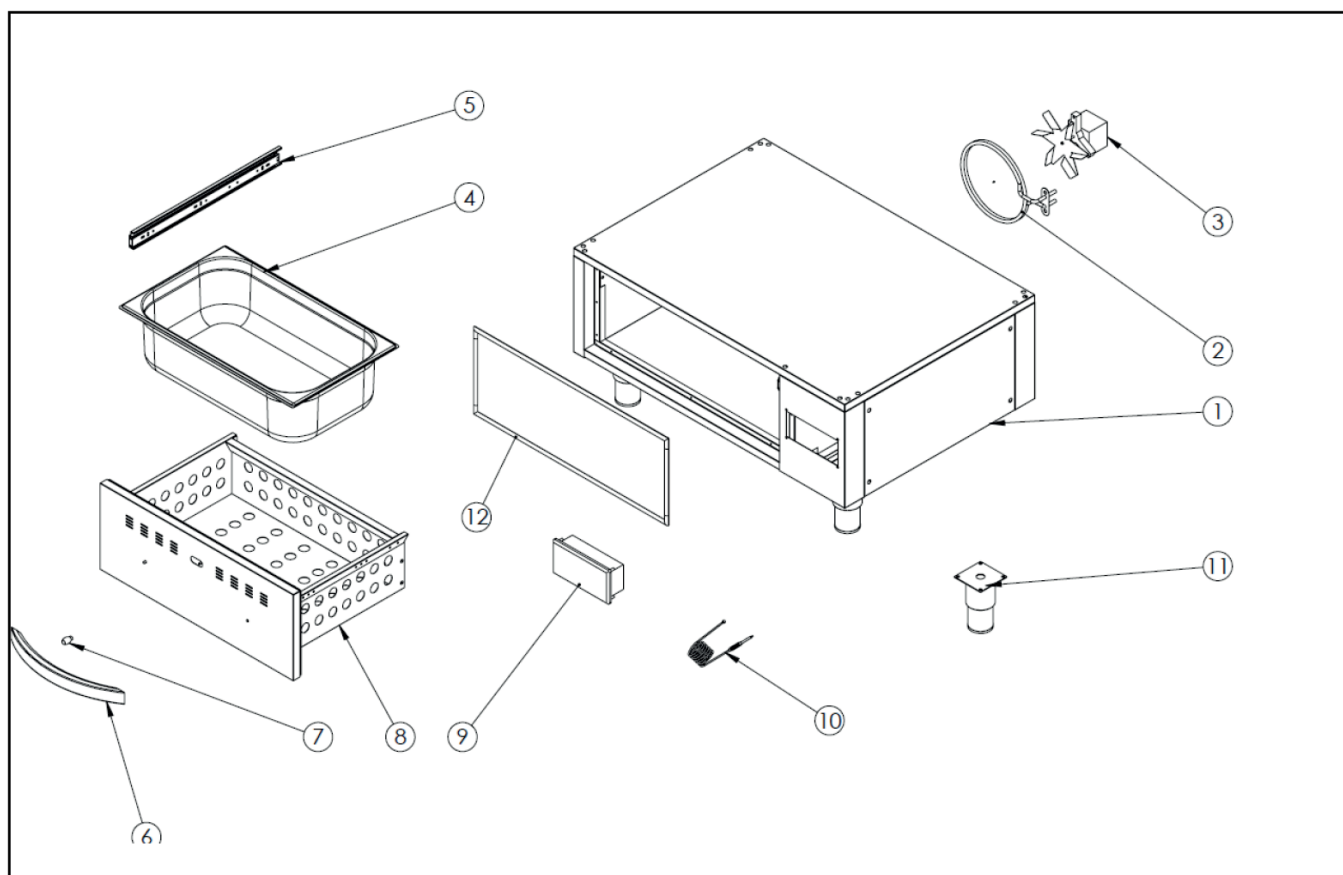
## F TROUBLESHOOTING

<b>THE APPLIANCE DOESN'T OPERATE</b>	<ol style="list-style-type: none"><li>1. Check if the appliance is plugged in.</li><li>2. Check the electrical connections and voltage.</li></ol>
<b>THE APPLIANCE DOESN'T HEAT</b>	<ol style="list-style-type: none"><li>1. Check the heater resistance and thermocouple.</li><li>2. Fan may have error. In this situation inform the service.</li><li>3. If the door has error, or door wick is broken, the appliance doesn't heat.</li></ol>
<b>THE APPLIANCE STOPPED</b>	<ol style="list-style-type: none"><li>1. The appliance can stop due to low voltage. In this situation check the voltage.</li><li>2. If there is any weight on the device, the device may stop.</li></ol>
<ul style="list-style-type: none"><li>• If heating is not done at suitable quality</li><li>• If any function of security doesn't work<ul style="list-style-type: none"><li>➤ Do not use the appliance.</li></ul></li></ul>	

**\*If these problems are still going on, contact with our authorized services.**

# DRAWER WARMER

## G SPARE PART LIST-EXPLODING DRAWING



**WSE1S**

# DRAWER WARMER

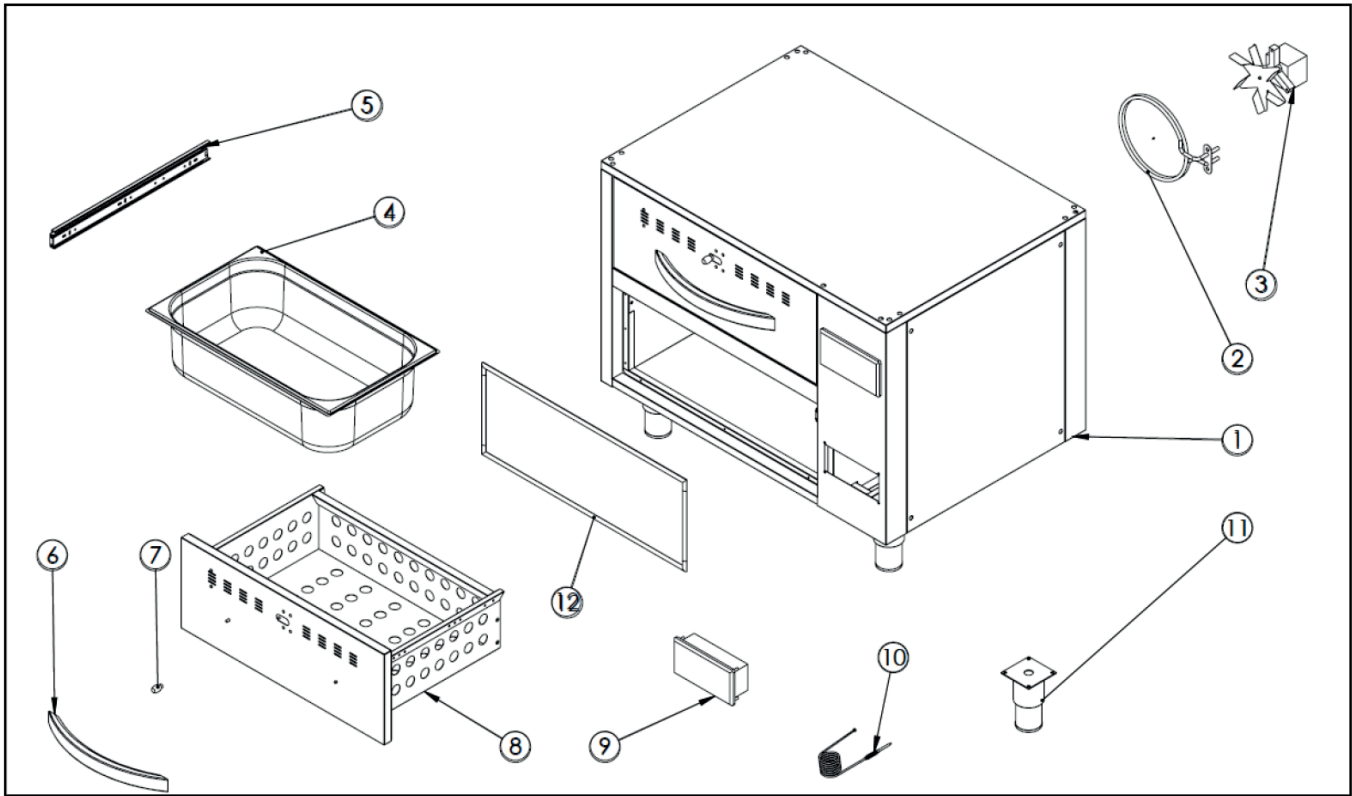
## G SPARE PART LIST-EXPLODING DRAWING

---

PRODUCT CODE: WSE1S	
NO	NAME OF THE PRODUCT
1	CHASSIS
2	REZISTANCE
3	FAN MOTOR
4	1/1 TUB
5	TELESCOPIC SLIDE
6	DRAWER HOLDER
7	VENT HOLDER
8	DRAWER
9	CONTROL PANEL
10	THERMOCOUPLES
11	STAND
12	GASKET

# DRAWER WARMER

## G SPARE PART LIST-EXPLODING DRAWING



WSE2S

# DRAWER WARMER

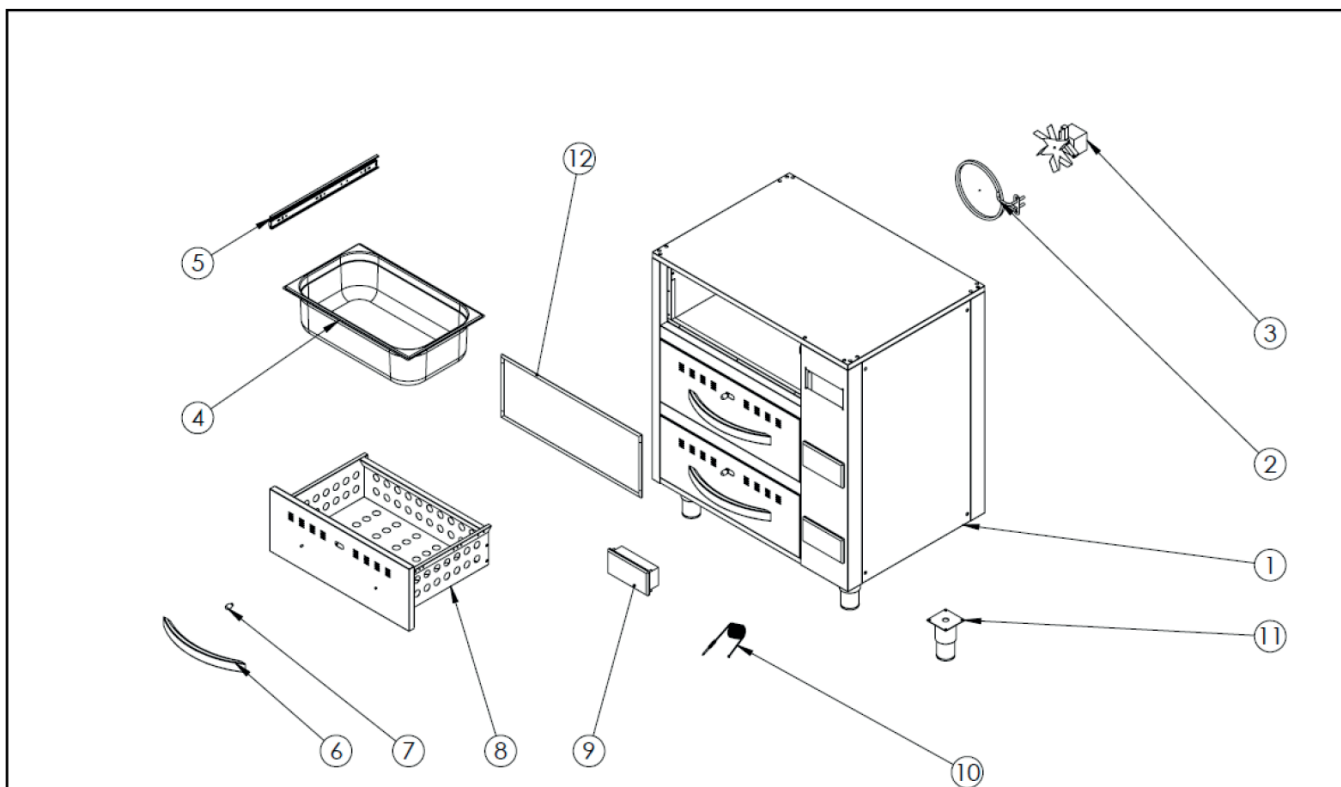
## G SPARE PART LIST-EXPLODING DRAWING

---

PRODUCT CODE: WSE2S	
NO	NAME OF THE PRODUCT
1	CHASSIS
2	REZISTANCE
3	FAN MOTOR
4	1/1 TUB
5	TELESCOPIC SLIDE
6	DRAWER HOLDER
7	VENT HOLDER
8	DRAWER
9	CONTROL PANEL
10	THERMOCOUPLES
11	STAND
12	GASKET

# DRAWER WARMER

## G SPARE PART LIST-EXPLODING DRAWING



WSE3S

# DRAWER WARMER

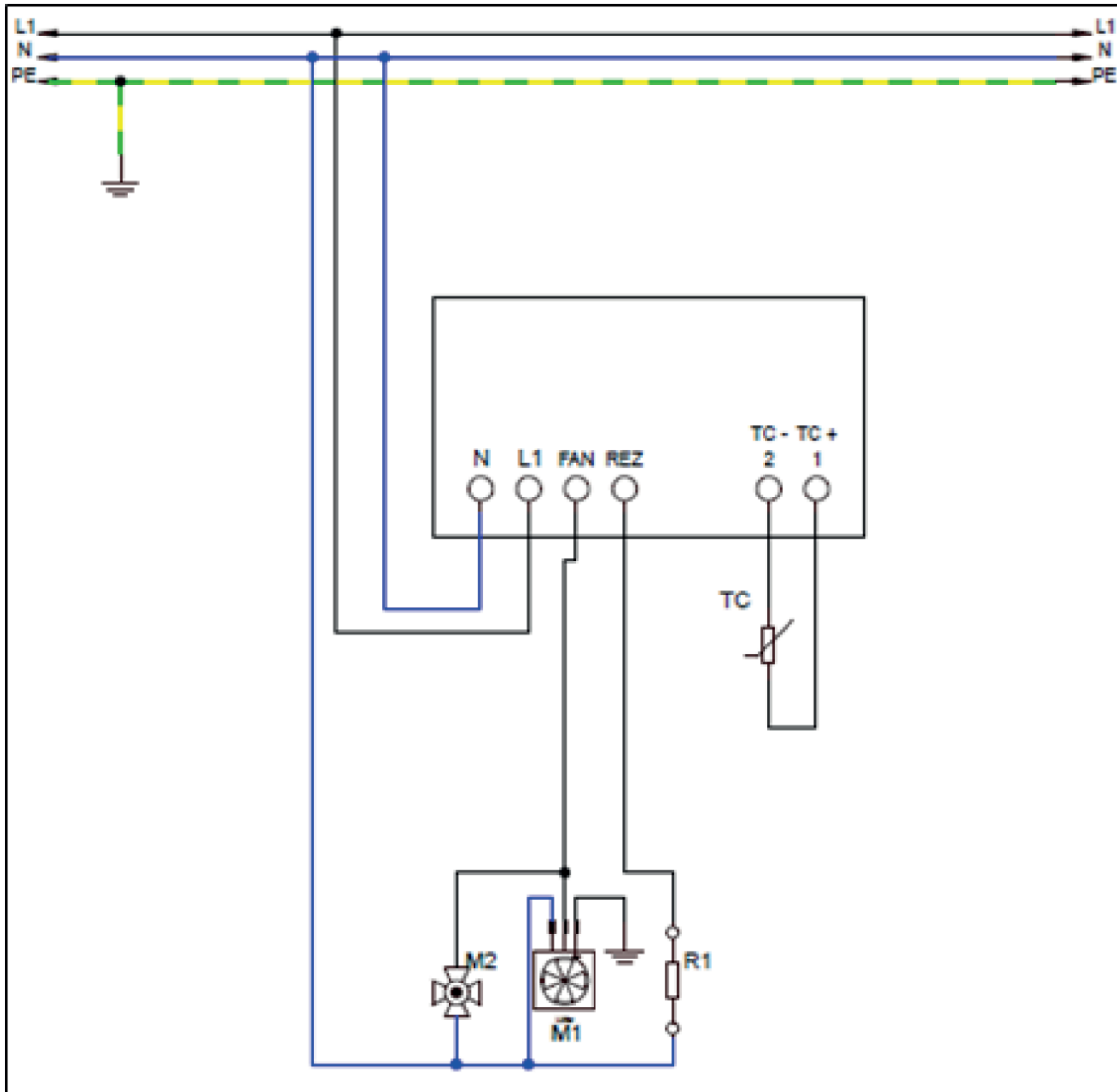
## G SPARE PART LIST-EXPLODING DRAWING

PRODUCT CODE: WSE3S	
NO	NAME OF THE PRODUCT
1	CHASSIS
2	REZISTANCE
3	FAN MOTOR
4	1/1 TUB
5	TELESCOPIC SLIDE
6	DRAWER HOLDER
7	VENT HOLDER
8	DRAWER
9	CONTROL PANEL
10	THERMOCOUPLES
11	STAND
12	GASKET



# DRAWER WARMER

## H ELECTRIC CIRCUIT SCHEMA



R1	M2	M1	TC
Inner temperature resistance 1700 W	Cooling Panel fan 230V.	Air circulation fan 38 KW. 220V.	Probe J type