

CONTENTS

A	GENERAL INFORMATION.....	Page 2
A1	PRODUCT DESCRIPTION	Page 3
A2	TECHNICAL INFORMATION.....	Page 3
A3	TRANSPORTATION	Page 4
A4	UNPACKING	Page 4
B	INSTALLATION	Page 4
C	SAFETY INSTRUCTIONS	Page 5
D	OPERATION	Page 6
E	CLEANING & MAINTENANCE.....	Page 7
F	TROUBLESHOOTING	Page 8
G	SPARE PART LIST- EXPLODING DRAWING	Page 9
H	ELECTRIC CIRCUIT SCHEMA	Page 13



A GENERAL INFORMATION

Before installing the appliance, read operation and maintenance instructions carefully. Wrong installation and part changing may damage the product or may cause injury on people. These are not in our company's responsibility to damage the appliance intentionally, negligence, detriments because of disobeying instructions and regulations, wrong connections. Unauthorized intervention to appliance invalidates the warranty.

1. This instruction manual should be kept in a safe place for future reference.
2. **Installation should be made in accordance with ordinances and security rules of that country by a qualified service personnel.**
3. This appliance has to be used by trained person.
4. Please turn off the appliance immediately in the event of malfunction or failure. The appliance should be repaired only by authorized service personnel. Please demand original spare part.

GLASS DRYER



A1 PRODUCT DESCRIPTION

*The Professional Glasswasher ,that provides high efficiency has been designed to be used in industrial kitchens.

Product Code	Dimensions (mm)	Weight (kg)	Packaging Dimensions (mm)
EMP.BPR.001	595x322x510	27	680x360x570
EMP.BPR.002	360x340x510	19,5	380x360x570

A2 TECHNICAL INFORMATION

Product Code	Capacity (glass/hour)	Motor Power (KW)	Total Power (Kw)	Operating Voltage (V)	Cable (mm ²)	Fuse (A)
EMP.BPR.001	600-720	0,37	2,6	220	3x1,5	16
EMP.BPR.002	300-360	0,37	1,5	220	3x1,5	10



A3 TRANSPORTATION

*This appliance can be moved by hand from area to area. Do not crash and drop the appliance while transporting.

A4 UNPACKING

*Please unpack the package according to the security codes and ordinances of current country and get rid from the pack. Parts which contacts with food are produced by stainless steel. All plastic parts are marked by material's symbol.

*Please check that all the parts of appliance had come completely and if they are damaged or not during the shipping.

B INSTALLATION

*Please place the product to straight and sturdy ground, please take necessary steps against possibility of overturn.

*Technician who will serve for installation and service for the appliance must be professional on this subject and must have installation and service licenses by the company.

*Connection to Electric Power Supply must be done by authorized person.

*Please be sure that the voltage connected to appliance must be equal with the voltage which is on appliance's label.











This appliance must be connected to an earthed outlet in accordance with safety rules and standards.

*Appliance's earthing must be connected to earthing line on panel which is nearest to electric installation.

*Connection to the main fuse and leak current fuse must be done in accordance with the current regulations.

C SAFETY INSTRUCTIONS

-  *Do not use the appliance in insufficient lighted place.
-  *Do not touch the moving attachments while the appliance operates.
-  *Do not install the appliance in the presence of flammable or explosive materials.
-  *Do not operate the appliance when the machine is empty.
-  *Do not load so less or more than appliance's capacity.
-  *Do not attempt to use the appliance without suitable protective equipments.
-  *Because of any reason if there is a fire or flame flare where the appliance is used, turn off all gas valves and electric contactor switch quickly and use fire extinguisher. Never use water to extinguish the fire.
-  *All the damages because of not having earthing connection will not be on warranty.



D OPERATION

*Control Panel;



A : ON

B : OFF

C : Fuse Safety Guard Button

*Operating;

- Plug in the appliance.
- In order to operate the appliance switch to ON position.
- After the tassels start to turn, place the glasses on the tassels one by one.
- Take off the glasses that are dried by hot air blowing resistances.
- Repeat this process in periodic times.
- After operation is completed switch to OFF position and unplug the appliance.



E CLEANING & MAINTENANCE

➤ **CLEANING AND MAINTENANCE AFTER EVERY USE**

- Always turn off the appliance and disconnect from the power supply before cleaning.
- Clean all the surfaces of the appliance with a moist cloth and then dry after every use.
- Perform the washing process with water that is not hotter than 60°C
- Clean the control panel with soft moisty cloth,if necessary use ineffective detergent.
- Do not use abrasive cleaning chemicals as these can leave harmful residues.
- Do not clean the appliance by spraying water directly,otherwise electric motor may get damaged.

➤ **PERIODIC CLEANING AND MAINTENANCE**

- Maintenance should be done by qualified person.
- Get the periodic maintenance of the appliance once in every 15 days.
- Check the tassels according to frequency of use.If there is excessive deformation,change it.
- Check the resistances in periodic times.
- The Glass Drying Machines require low maintenance (Motor and ball bearings are lubricated).
- Check the motor and tension of the belt.



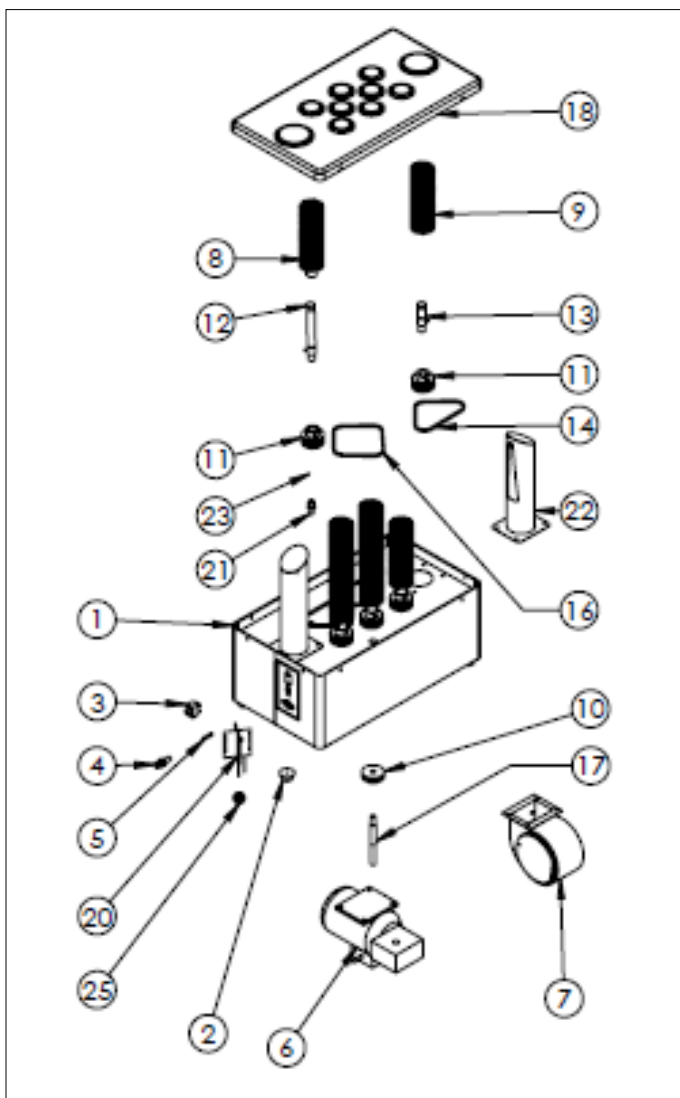
F TROUBLESHOOTING

THE APPLIANCE DOESN'T OPERATE	<ol style="list-style-type: none">1. Check if the appliance is plugged in.2. Check the electrical connections and voltage.3. Check the fuse if it is on or not.
THE GLASSES ARE NOT DRIED	<ol style="list-style-type: none">1. Check the tassels.2. Check the hot air resistances.
THE APPLIANCE STOPPED	<ol style="list-style-type: none">1. The appliance can stop due to low voltage. In this situation check the voltage.2. The fuse that doesn't have enough Amper is broken. In this situation place a new fuse.

- If glass drying is not done at suitable quality
- If any function of security doesn't work
 - Do not use the appliance.

***If these problems are still going on, contact with our authorized services.**

G SPARE PART LIST-EXPLODING DRAWING



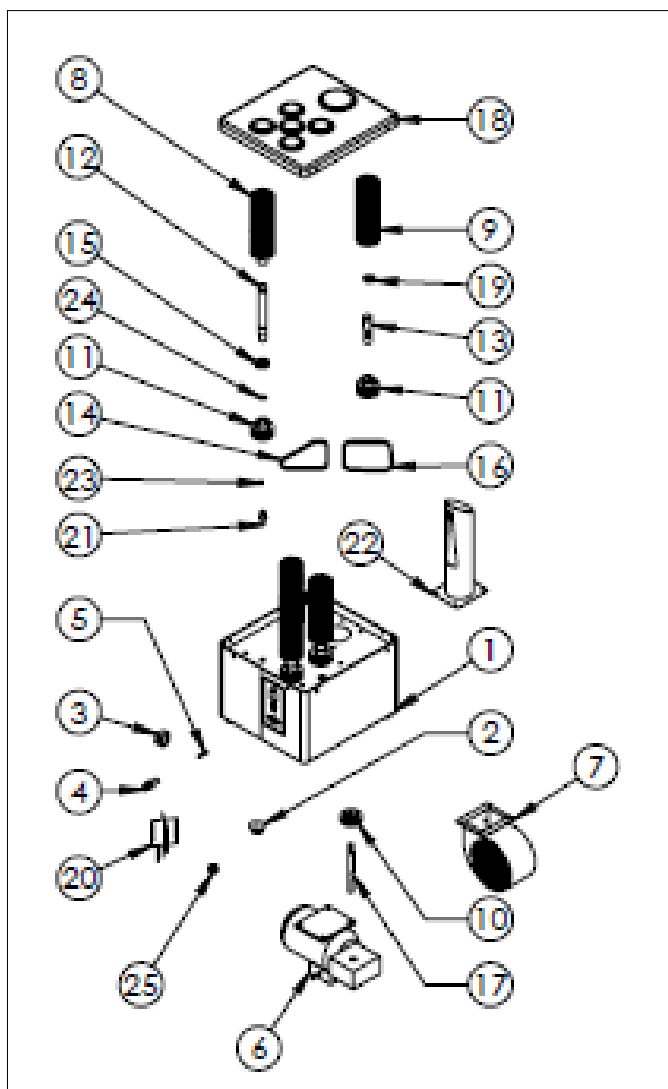
EMP.BPR.001

**G SPARE PART LIST-EXPLODING DRAWING**

PRODUCT CODE: EMP.BPR.001		
NO	PRODUCT NAME	P.CODE
1	BASE FRAME	Y.EMP.BPR.001.1001
2	FEET	Y.EMP.BPR.001.1002
3	SWITCH (ON-OFF)	Y.EMP.BPR.001.1003
4	FUSE HOLDER	Y.EMP.BPR.001.1004
5	FUSE	Y.EMP.BPR.001.1005
6	REDUCER MOTOR	Y.EMP.BPR.001.1006
7	FAN	Y.EMP.BPR.001.1007
8	LONG TASSEL	Y.EMP.BPR.001.1008
9	SHORT TASSEL	Y.EMP.BPR.001.1009
10	MOTOR PULLEY	Y.EMP.BPR.001.1010
11	SHAFT PULLEY	Y.EMP.BPR.001.1011
12	LONG SHAFT	Y.EMP.BPR.001.1012
13	SHORT SHAFT	Y.EMP.BPR.001.1013
14	BELT (8*400)	Y.EMP.BPR.001.1014
15	BALL BEARING (6202)	Y.EMP.BPR.001.1015
16	BELT (8*450)	Y.EMP.BPR.001.1016
17	REDUCER SHAFT	Y.EMP.BPR.001.1017
18	TOP LID	Y.EMP.BPR.001.1018
19	O'RING	Y.EMP.BPR.001.1019
20	RESISTANCE	Y.EMP.BPR.001.1020
21	SCREW PIN	Y.EMP.BPR.001.1021
22	GLASS DRYER PIPE	Y.EMP.BPR.001.1022
23	SEGMAN 475-35	Y.EMP.BPR.001.1023
24	SEGMAN 471-15	Y.EMP.BPR.001.1024
25	LIMIT THERMOSTAT	Y.EMP.BPR.001.1025



G SPARE PART LIST-EXPLODING DRAWING



EMP.BPR.002

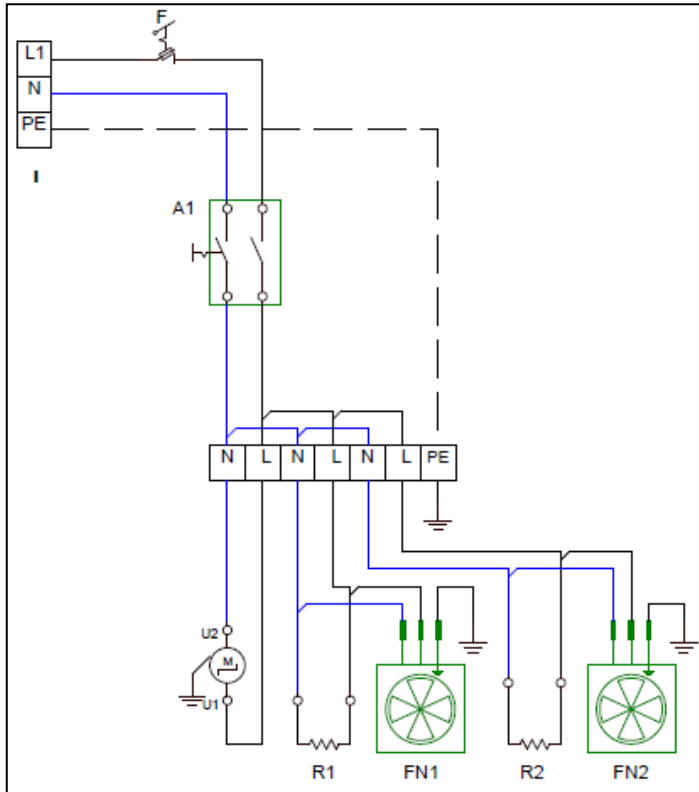


G SPARE PART LIST-EXPLODING DRAWING

PRODUCT CODE: EMP.BPR.002		
NO	PRODUCT NAME	P.CODE
1	BASE FRAME	Y.EMP.BPR.002.1001
2	FEET	Y.EMP.BPR.002.1002
3	SWITCH (ON-OFF)	Y.EMP.BPR.002.1003
4	FUSE HOLDER	Y.EMP.BPR.002.1004
5	FUSE	Y.EMP.BPR.002.1005
6	REDUCER MOTOR	Y.EMP.BPR.002.1006
7	FAN	Y.EMP.BPR.002.1007
8	LONG TASSEL	Y.EMP.BPR.002.1008
9	SHORT TASSEL	Y.EMP.BPR.002.1009
10	MOTOR PULLEY	Y.EMP.BPR.002.1010
11	SHAFT PULLEY	Y.EMP.BPR.002.1011
12	LONG SHAFT	Y.EMP.BPR.002.1012
13	SHORT SHAFT	Y.EMP.BPR.002.1013
14	BELT (8*400)	Y.EMP.BPR.002.1014
15	BALL BEARING (6202)	Y.EMP.BPR.002.1014
16	BELT (8*450)	Y.EMP.BPR.002.1016
17	REDUCER SHAFT	Y.EMP.BPR.002.1017
18	TOP LID	Y.EMP.BPR.002.1018
19	O'RING	Y.EMP.BPR.002.1019
20	RESISTANCE	Y.EMP.BPR.002.1020
21	SCREW PIN	Y.EMP.BPR.002.1021
22	GLASS DRYER PIPE	Y.EMP.BPR.002.1022
23	SEGMAN 475-35	Y.EMP.BPR.002.1023
24	SEGMAN 471-15	Y.EMP.BPR.002.1024
25	LIMIT THERMOSTAT	Y.EMP.BPR.002.1025

H ELECTRIC CIRCUIT SCHEMA

BPR.001

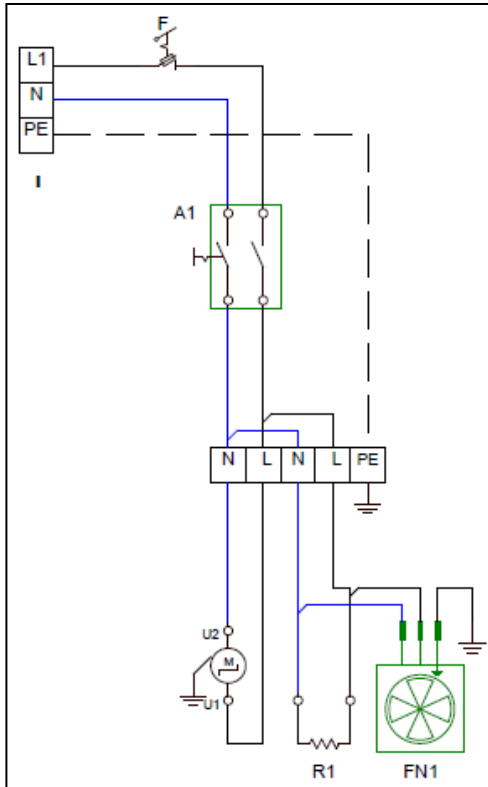


I	M	A1	F	R1	R2	FN.1	FN.2
Terminal	Motor 0,37 KW 2800 rpm 230V	Large lighted 0-1 Switch	Fuse 15A	Right Resistance 1000W	Left Resistance 1000W	Right Fan Motor 125W 2400 rpm	Left Fan Motor 125W 2400 rpm



H ELECTRIC CIRCUIT SCHEMA

BPR.002



I	M	A1	F	R1	FN.1
Terminal	Motor 0,37 KW 2800 rpm 230V	Large lighted 0-1 Switch	Fuse 15A	Right Resistance 1000W	Right Fan Motor 125W 2400 rpm



GGM Gastro International GmbH
Weinerpark 16
D-48607 Ochtrup

www.ggmgastro.com info@ggmgastro.com
+49 2553 7220 0