

MOBILE HANDWASH BASINS

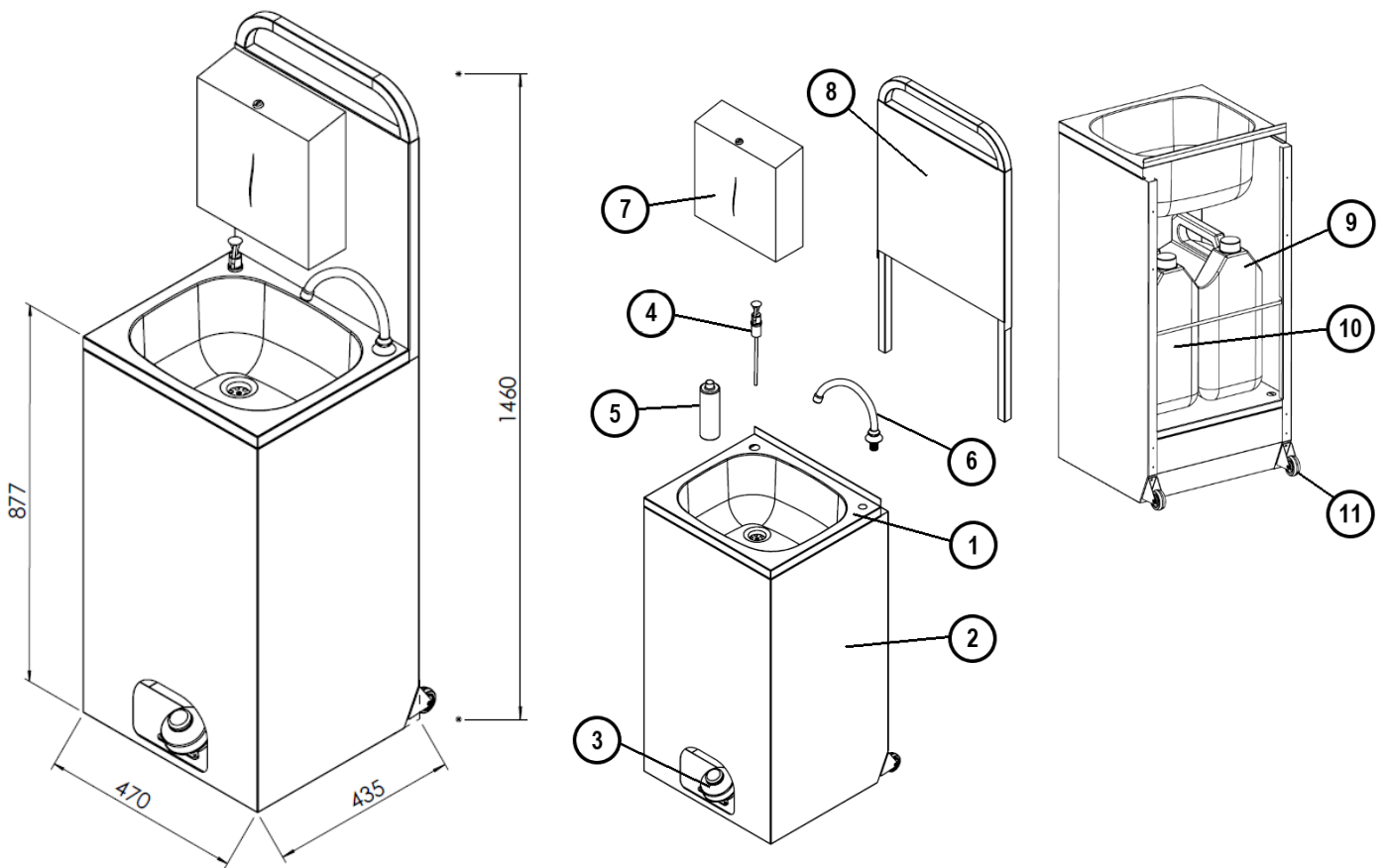
INSTALLATION & USER MANUAL

TECHNICAL DATA

Dimensions: 470 x 435 x 877 mm.

Raw material: AISI 304 Stainless steel.

Control type: Foot control.



Part No.	Part Name	Piece
1	Sink	1
2	Main body	1
3	Foot control water pump	1
4	Soap dispenser pump	1
5	Soap dispenser container	1
6	Tap	1
7	Towel dispenser	1
8	Transport handle	1
9	Clean water drum	1
10	Waste water drum	1
11	Wheel	2

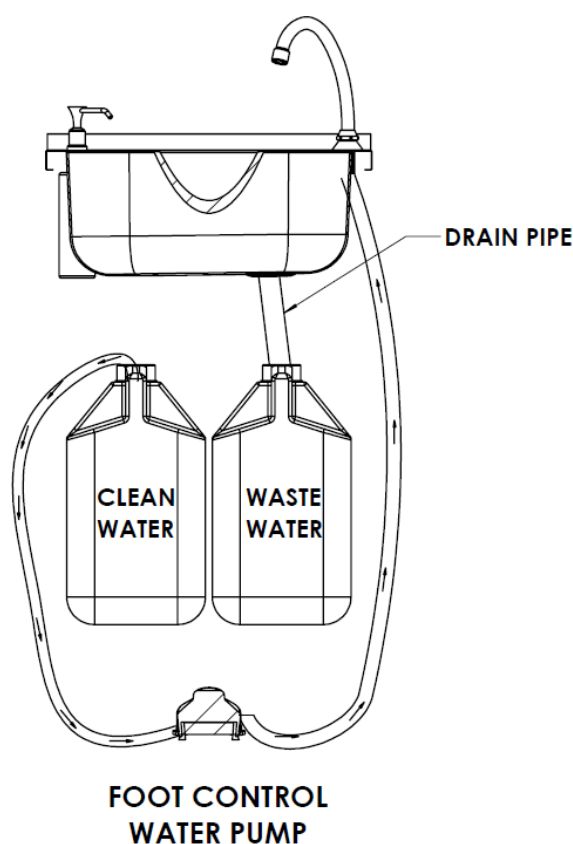
INSTALLATION

MOUNTING

1. The tap is placed in the hole at the right side. *(Part 6)*
2. The soap dispenser is placed in the hole at the left side. *(Part 4 and 5)*
3. The transport handle is inserted to the channels at the back of the main body. *(Part 8)*
4. The handle is fixed to the channels by the bolts and the nuts in the fittings bag.
5. The towel dispenser is placed on the backslash of transport handle.

PLUMBING INSTALLATION

Make sure that the plumbing installation as shown in the following picture. Only transport handle, soap dispenser and tap connections must be made by the customer. Other installation connections have been made by the manufacturer.



CLEANING AND MAINTENANCE

- The hand washer basin parts must be cleaned whenever necessary, with soapy water and a sponge or a soft cloth only.
- For descaling, we recommend the use of liquid descaling products.
- Do not use abrasive or corrosive products (solvents, scouring powder, acid detergents, chlorinate)
- Maintenance operations are limited to the replacement of damaged or worn out parts, particularly when leaks are noticed. In this case you are recommended to call a qualified professional and to use only original spare parts.