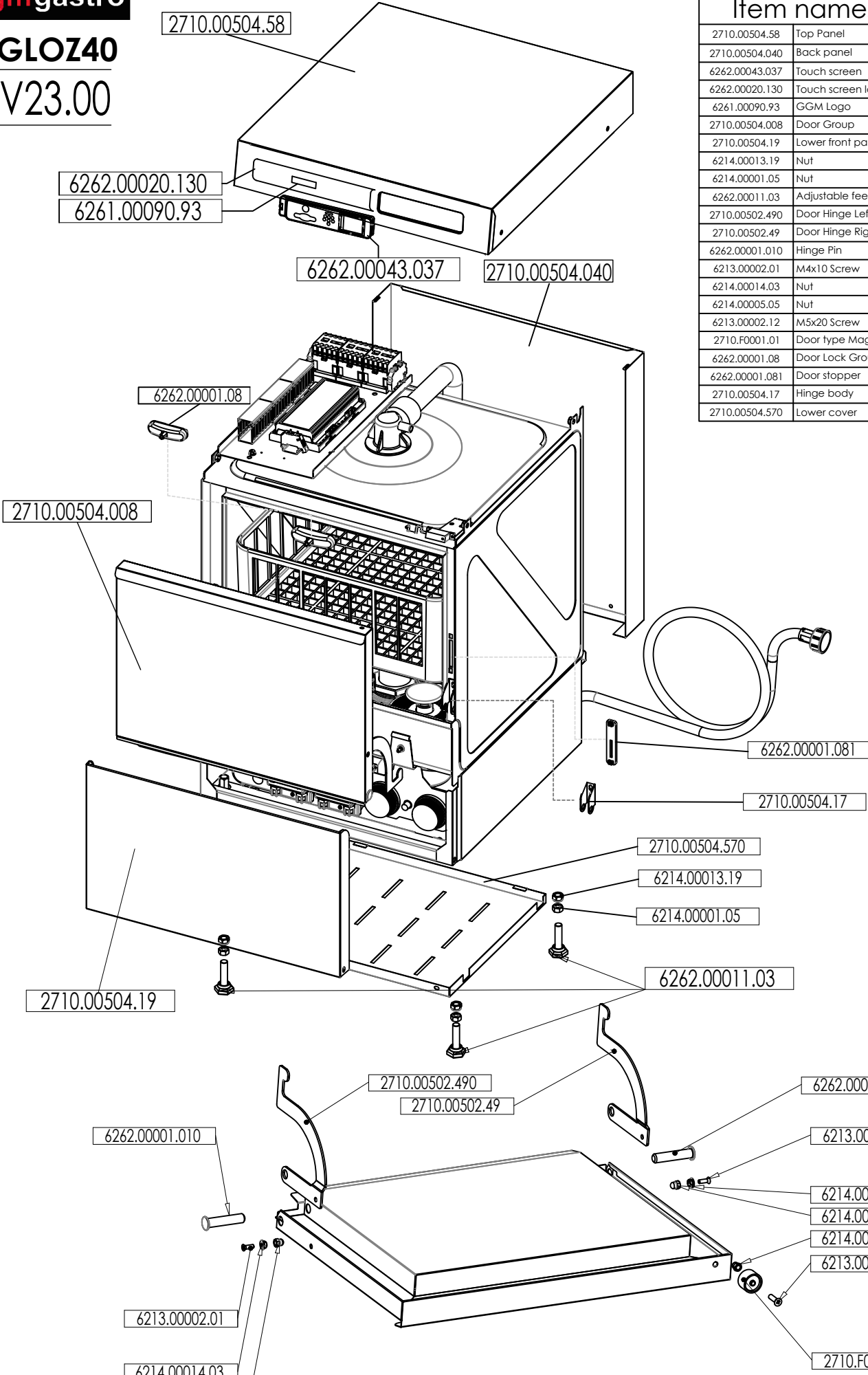


GLOZ40
V23.00

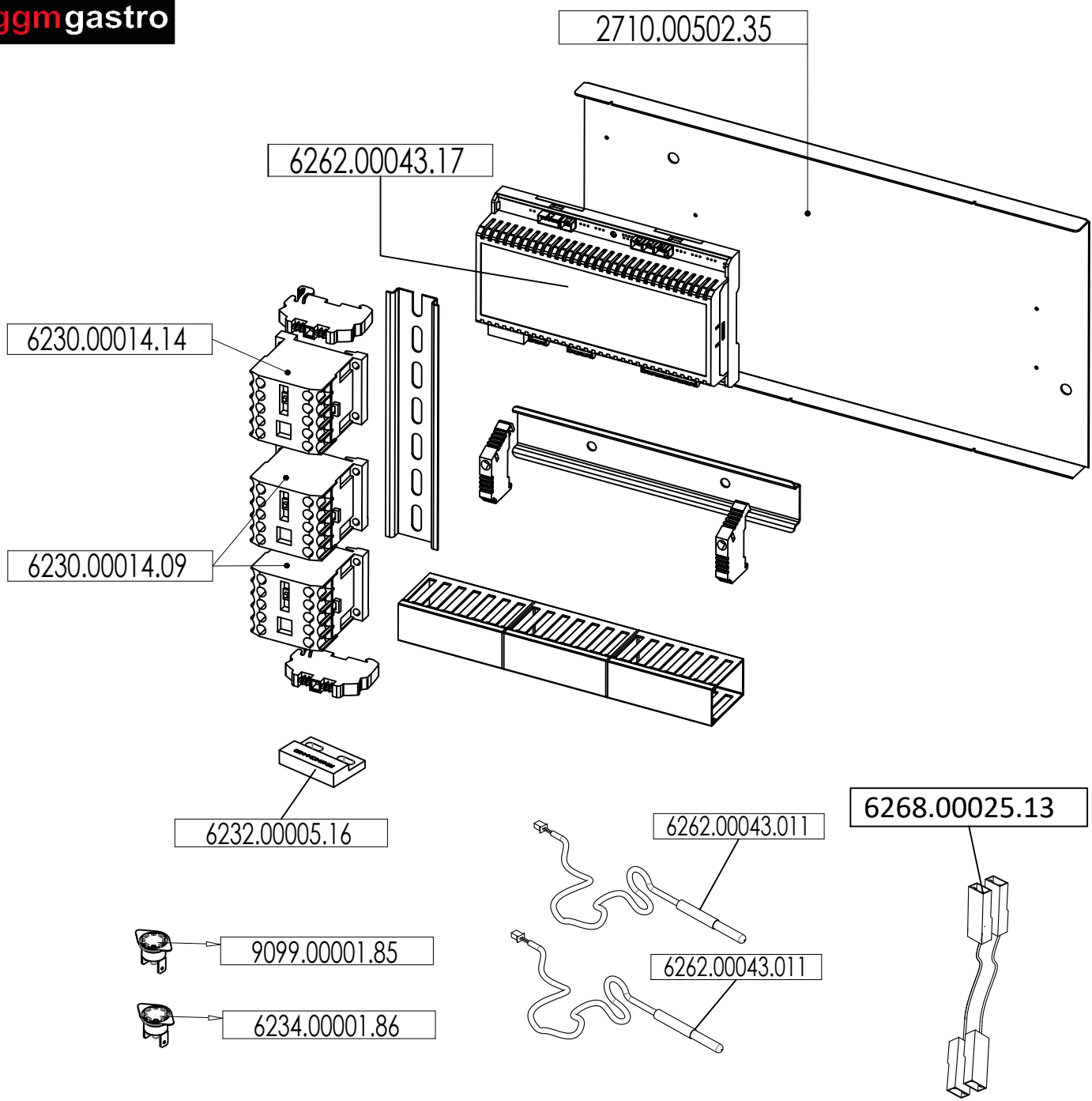


Item names/Codes

2710.00504.58	Top Panel
2710.00504.040	Back panel
6262.00043.037	Touch screen
6262.00020.130	Touch screen label
6261.00090.93	GGM Logo
2710.00504.008	Door Group
2710.00504.19	Lower front panel
6214.00013.19	Nut
6214.00001.05	Nut
6262.00011.03	Adjustable feet
2710.00502.490	Door Hinge Left
2710.00502.49	Door Hinge Right
6262.00001.010	Hinge Pin
6213.00002.01	M4x10 Screw
6214.00014.03	Nut
6214.00005.05	Nut
6213.00002.12	M5x20 Screw
2710.F0001.01	Door type Magnet with cover
6262.00001.08	Door Lock Group
6262.00001.081	Door stopper
2710.00504.17	Hinge body
2710.00504.570	Lower cover

R&D	NAME	SIGNATURE	DATE
DRAWING	S.GURCU		
CONTROL	S.GURCU		
CONSENT	M.HACI		

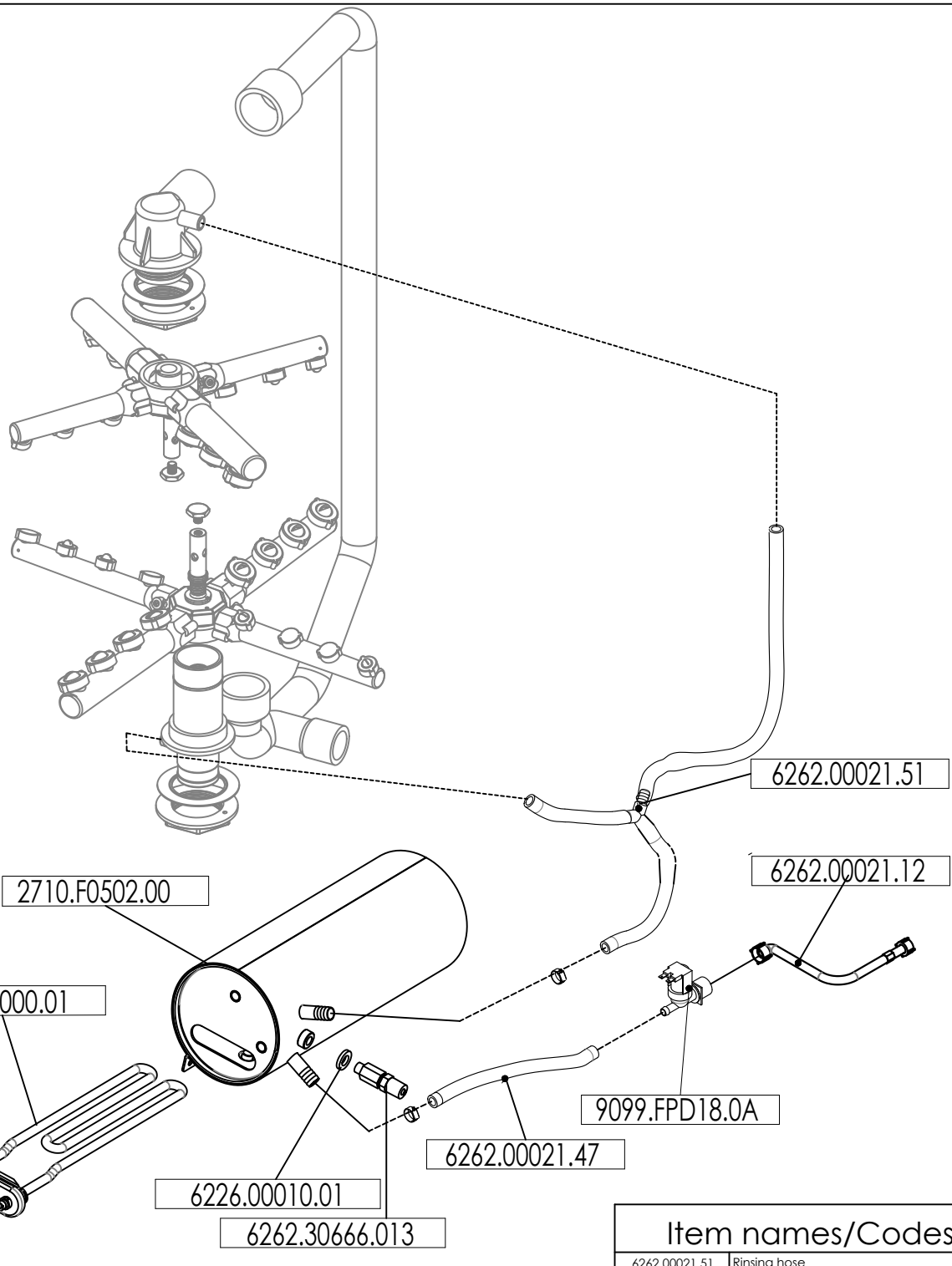
GROUP NAME: **BODY GROUP**



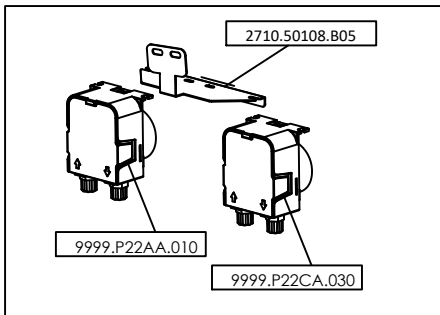
Item names/Codes	
6230.00014.09	Contactor DILEM-10 MOELLER 4 KW
6230.00014.14	Contactor DILEM-12-01 MOELLER
6262.00043.17	Power board
2710.00502.35	Electrical panel plate
6232.00005.16	Magnetic Switch
9099.00001.85	Safety Limit Thermostat for washing tank
6234.00001.86	Safety Limit Thermostat for boiler tank
6268.00025.13	Pressure switch connection cable
6262.00043.011	Boiler / washing tank prob

R&D	NAME	SIGNATURE	DATE
DRAWING	S.GURCU		
CONTROL	S.GURCU		
CONSENT	M.HACI		

GROUP NAME: ELECTRICAL GROUP

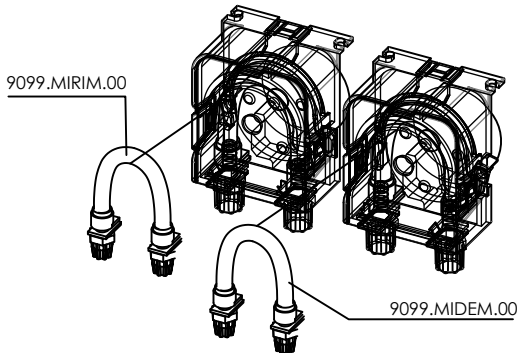
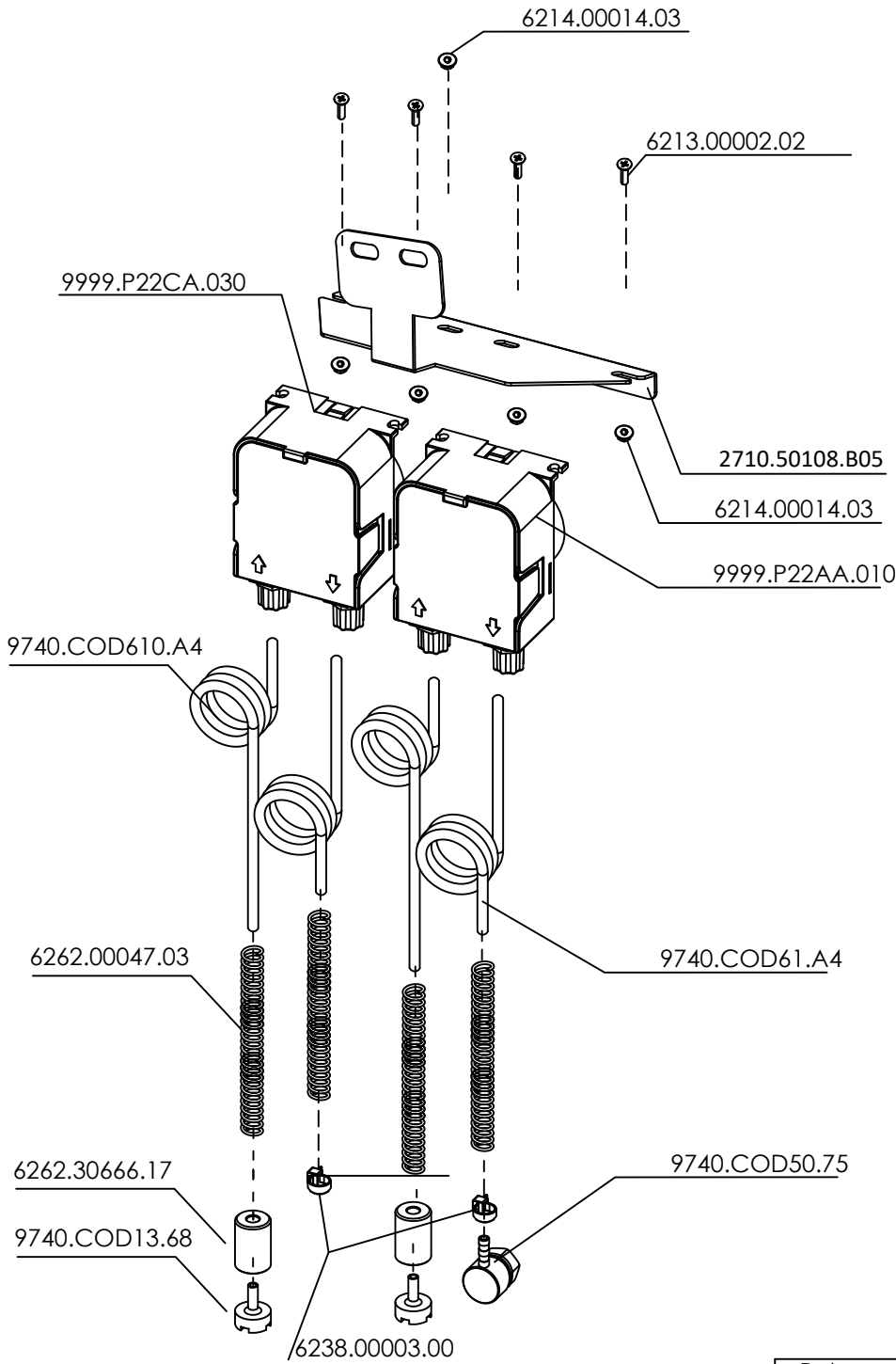


Item names/Codes	
6262.00021.51	Rinsing hose
6262.00021.12	Water inlet hose
9099.FPD18.0A	Water inlet valve
6262.00021.47	Hose
6226.00010.01	Klinger gasket 1/2"
6262.30666.013	Rinse aid inlet check valve
2710.F0502.00	Boiler tank
9099.01000.01	RESISTANCE 2950 W
6262.00062.08	Tank heater cover
2710.50108.B05	Rinseaid&detergent dispenser holder plate
9999.P22CA.030	Rinse aid pump
9999.P22AA.010	Detergent pump



R&D	NAME	SIGNATURE	DATE
DRAWING	S.GURCU		
CONTROL	S.GURCU		
CONSENT	M.HACI		

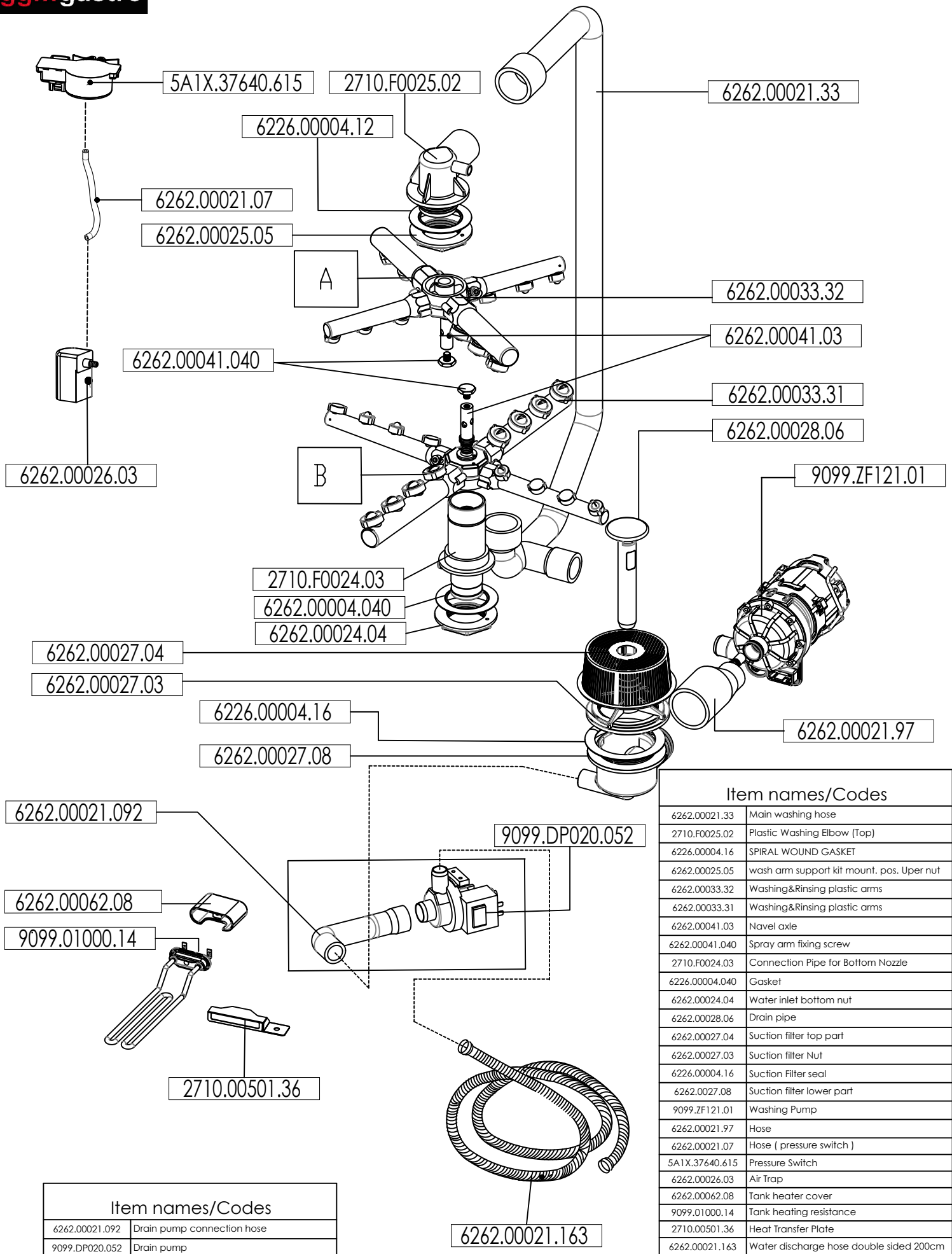
GROUP NAME: RINSING GROUP



Detergent/Rinse aid pump group (optional)		
Item names/Codes		Quantity
2710.50108.B05	Detergent / Rinse aid pump connection plate	1
6214.00014.03	M4 hex nut with flange	5
6213.00002.02	M4*16 YHB Screw	4
9999.P22CA.030	Rinse aid pump	1
9740.COD610.A4	Rinse aid pump hose (blue) (4 meters)	1
6262.00047.03	Spring dosing hose cover	4
9740.COD13.68	Detergent/Rinse aid pump plastic filter	2
6262.30666.17	Detergent/Rinse aid pumps tainles steel weight	2
6238.00003.00	Cable tie	2
9999.P22AA.010	Detergent pump	1
9740.COD61.A4	Detergent pump hose (transparent) 4 meters)	1
9740.COD50.75	Detergent pump tank conecion part	1
9099.MIDEM.00	Inner Detergent pump tube	
9099.MIRIM.00	Inner rinse aid pump tube	

R&D	NAME	SIGNATURE	DATE	VERSION NO.
DRAWING	S.GURCU			
CONTROL	S.GURCU			
CONSENT	M.HACI			

GROUP NAME: **DETERGENT / RINSE AID GROUP**



6262.00021.092

6262.00062.08

9099.01000.14

2710.00501.36

Item names/Codes	
6262.00021.092	Drain pump connection hose
9099.DP020.052	Drain pump

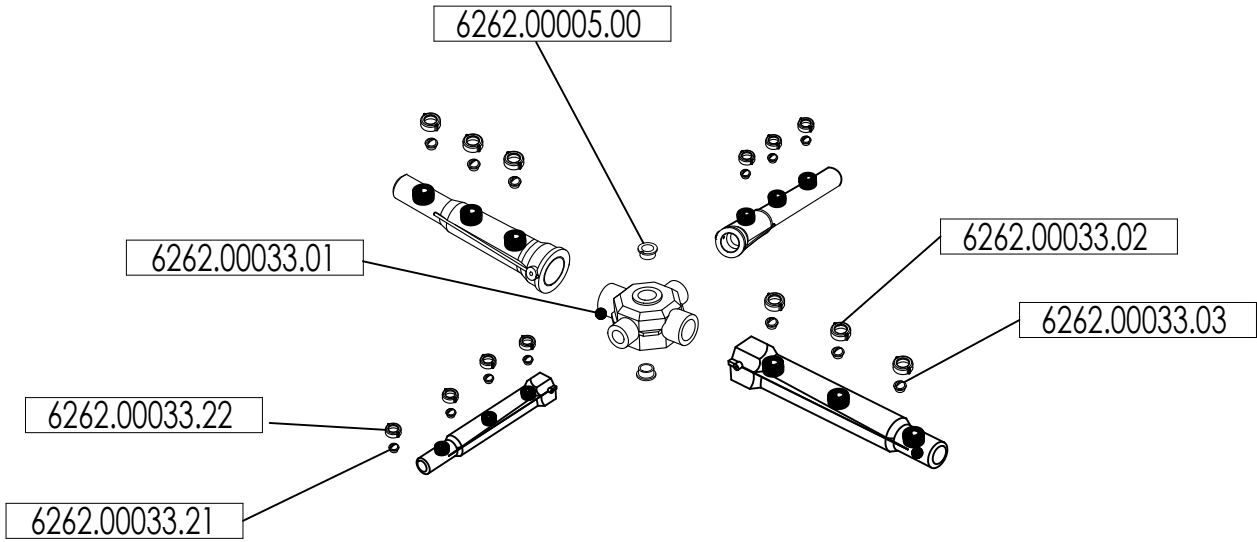
Item names/Codes

6262.00021.33	Main washing hose
2710.F0025.02	Plastic Washing Elbow (Top)
6226.00004.16	SPIRAL WOUND GASKET
6262.00025.05	wash arm support kit mount. pos. Uper nut
6262.00033.32	Washing&Rinsing plastic arms
6262.00033.31	Washing&Rinsing plastic arms
6262.00041.03	Navel axle
6262.00041.040	Spray arm fixing screw
2710.F0024.03	Connection Pipe for Bottom Nozzle
6226.00004.040	Gasket
6262.00024.04	Water inlet bottom nut
6262.00028.06	Drain pipe
6262.00027.04	Suction filter top part
6262.00027.03	Suction filter Nut
6226.00004.16	Suction Filter seal
6262.00027.08	Suction filter lower part
9099.ZF121.01	Washing Pump
6262.00021.97	Hose
6262.00021.07	Hose (pressure switch)
5A1X.37640.615	Pressure Switch
6262.00026.03	Air Trap
6262.00062.08	Tank heater cover
9099.01000.14	Tank heating resistance
2710.00501.36	Heat Transfer Plate
6262.00021.163	Water discharge hose double sided 200cm

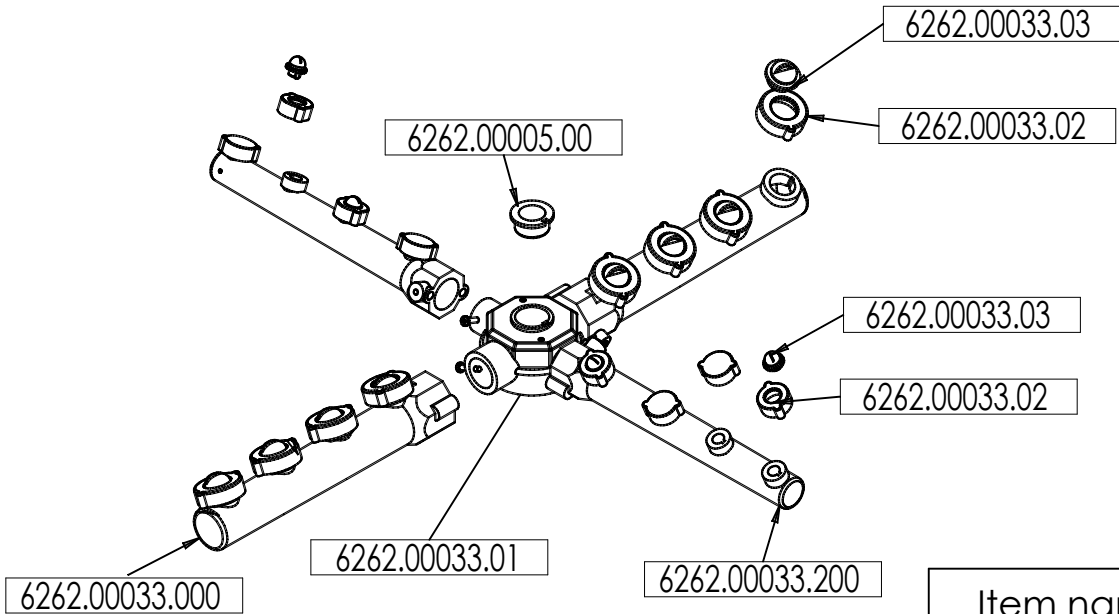
R&D	NAME	SIGNATURE	DATE
DRAWING	S.GURCU		
CONTROL	S.GURCU		
CONSENT	M.HACI		

GROUP NAME: **WASHING GROUP**

DETAIL A



DETAIL B



Item names/Codes	
6262.00033.000	Washing arm (without nut&nozzle)
6262.00033.03	Washing arm nozzle
6262.00033.02	Washing arm nut
6262.00005.00	Collector plastic part
6262.00033.200	Rinsing arm (without nut&nozzle)
6262.00033.21	Rinsing arm nozzle
6262.00033.22	Rinsing arm nut
6262.00033.01	Collector (washing&rinsing)

R&D	NAME	SIGNATURE	DATE	VERSION NO.
DRAWING	S.GURCU			
CONTROL	S.GURCU			
CONSENT	M.HACI			

GROUP NAME: **SPRAY ARM GROUP**