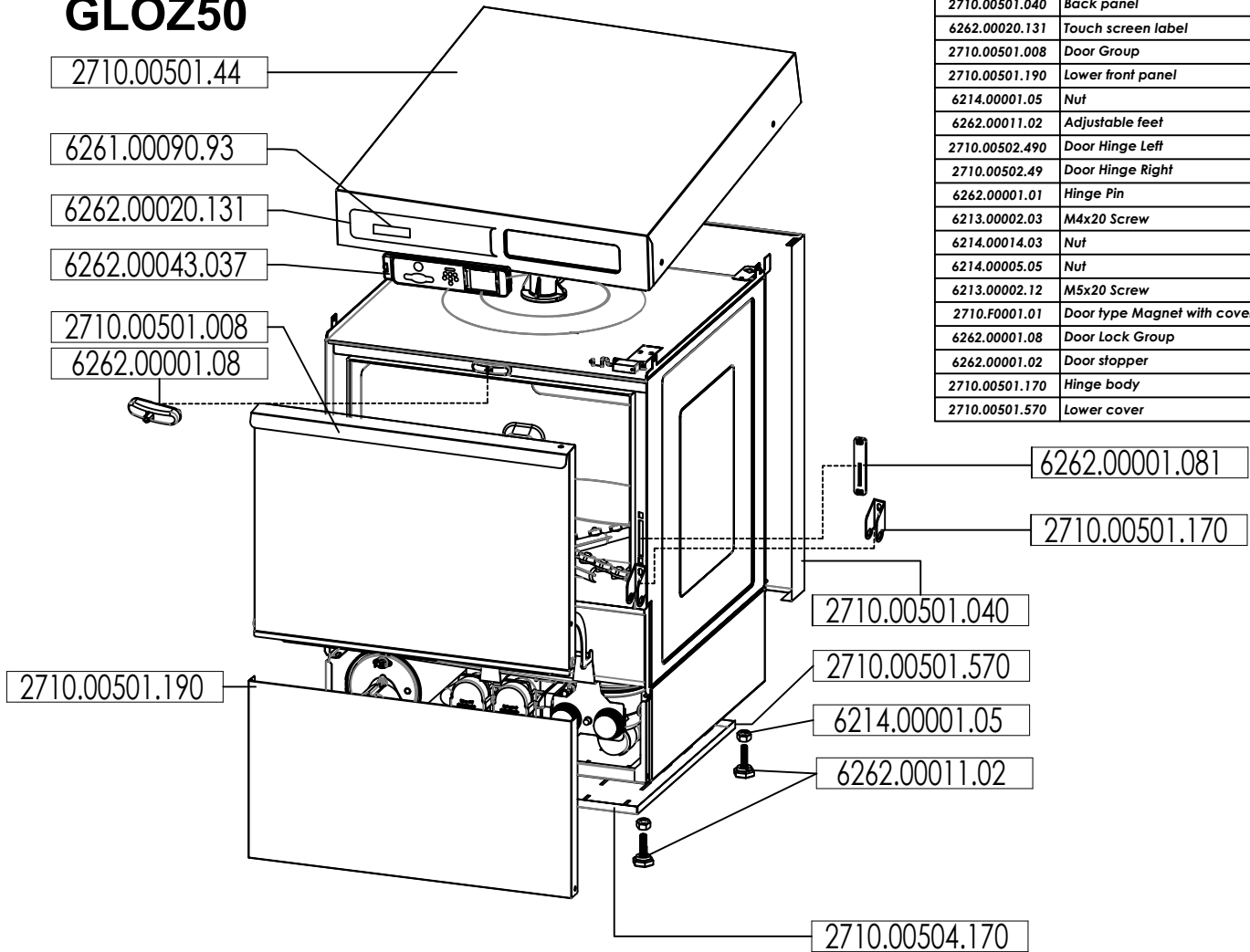
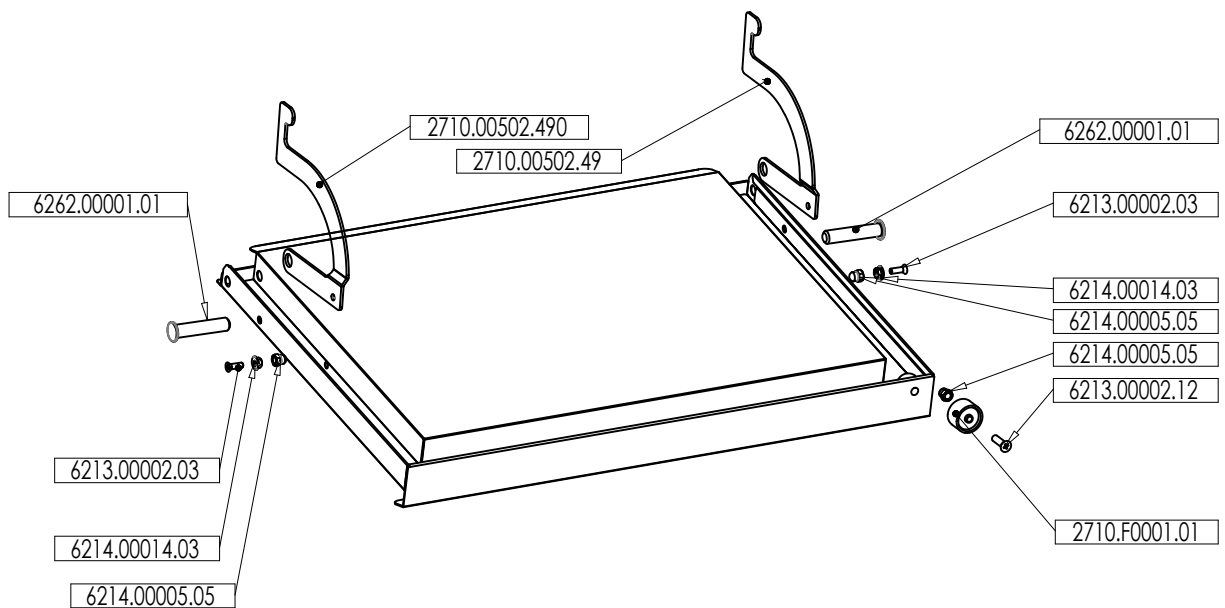


V23.00 GLOZ50



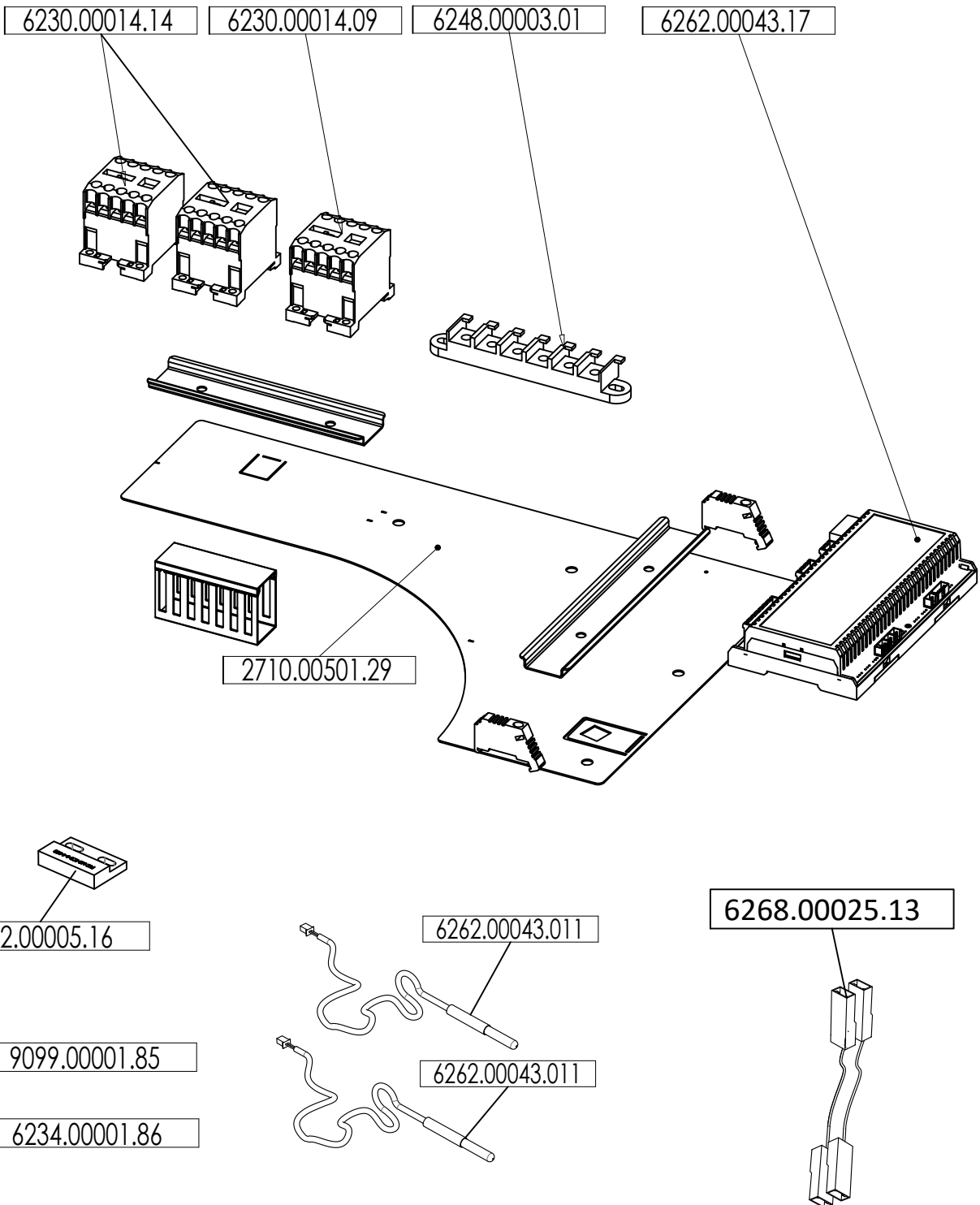
| Item names/Codes | |
|------------------|-----------------------------|
| 2710.00501.44 | Top Panel |
| 6262.00043.037 | Touch screen |
| 6261.00090.93 | GGM Logo |
| 2710.00501.040 | Back panel |
| 6262.00020.131 | Touch screen label |
| 2710.00501.008 | Door Group |
| 2710.00501.190 | Lower front panel |
| 6214.00001.05 | Nut |
| 6262.00011.02 | Adjustable feet |
| 2710.00502.490 | Door Hinge Left |
| 2710.00502.49 | Door Hinge Right |
| 6262.00001.01 | Hinge Pin |
| 6213.00002.03 | M4x20 Screw |
| 6214.00014.03 | Nut |
| 6214.00005.05 | Nut |
| 6213.00002.12 | M5x20 Screw |
| 2710.F0001.01 | Door type Magnet with cover |
| 6262.00001.08 | Door Lock Group |
| 6262.00001.02 | Door stopper |
| 2710.00501.170 | Hinge body |
| 2710.00501.570 | Lower cover |



| R&D | NAME | SIGNATURE | DATE | VERSION NO. |
|-----|------|-----------|------|-------------|
| | | | | |
| | | | | |
| | | | | |

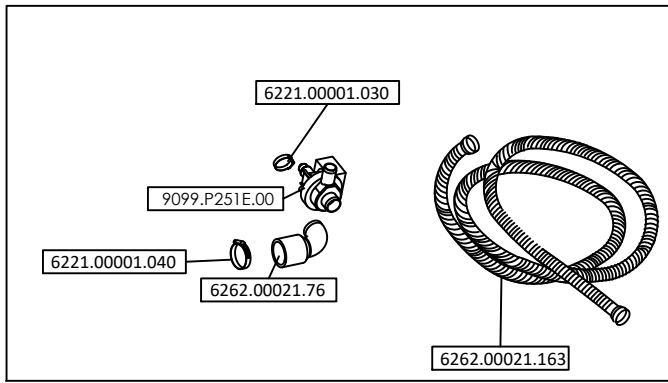
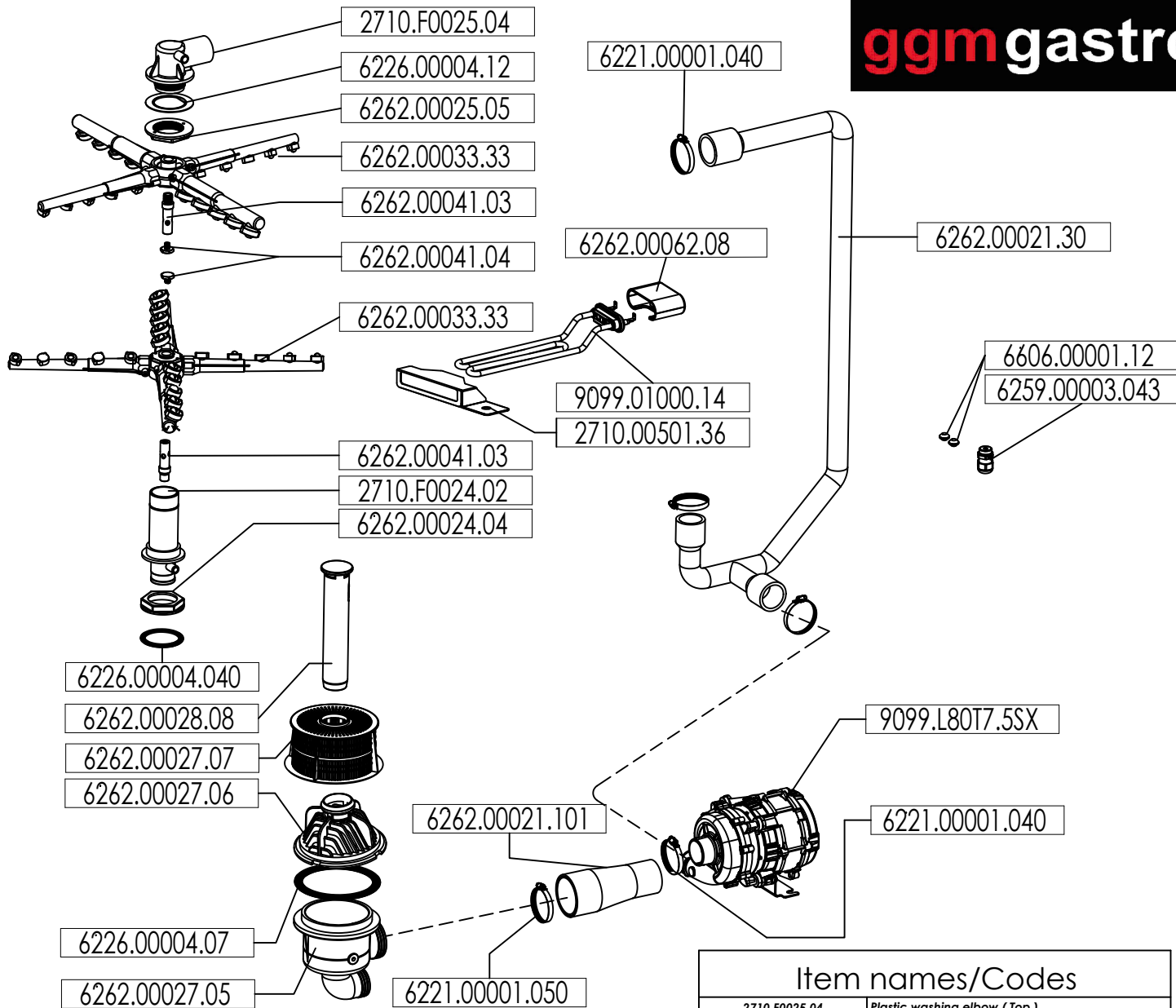
GROUP NAME: BODY GROUP

| Item names/Codes | |
|------------------|--|
| 6230.00014.09 | Contactora DILEM-10 MOELLER 4 KW |
| 6230.00014.14 | Contactora DILEM-12-01 MOELLER |
| 6248.00003.01 | Electric inlet terminal |
| 6262.00043.17 | Power board |
| 2710.00501.29 | Electrical panel plate |
| 6232.00005.16 | Magnetic Switch |
| 9099.00001.85 | Safety Limit Thermostat for washing tank |
| 6234.00001.21 | Safety Limit Thermostat for boiler tank |
| 6268.00025.13 | Pressure switch connection cable |
| 6262.00043.011 | Boiler / washing tank prob |



| R&D | NAME | SIGNATURE | DATE | VERSION NO. |
|-----|------|-----------|------|-------------|
| | | | | |
| | | | | |

GROUP NAME: **ELECTRICAL GROUP**

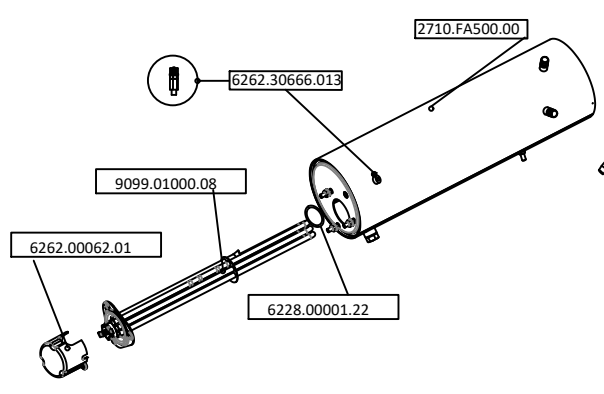
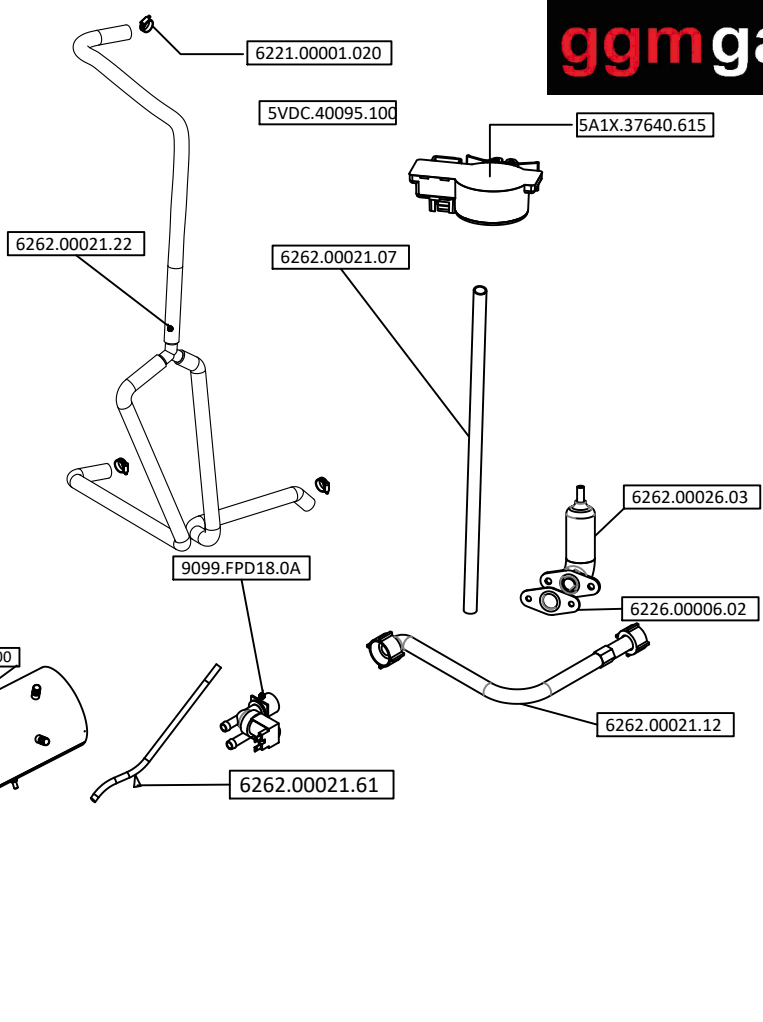


| Item names/Codes | |
|------------------|--|
| 2710.F0025.04 | Plastic washing elbow (Top) |
| 6226.00004.12 | Flat gasket |
| 6262.00025.05 | Wash arm support kit mounting pos. Upper nut |
| 6262.00033.33 | Washing&Rinsing Arm (Completely) plst. |
| 2710.F0024.02 | Washing Navel |
| 6226.00004.040 | Gasket |
| 6262.00024.04 | Water inlet bottom nut |
| 6221.00001.040 | CLAMP 40-60MM |
| 6262.00021.30 | Washing distribution hose |
| 9099.L80T7.5SX | Washing pump |
| 6221.00001.050 | Clamp |
| 6262.00021.101 | Hose |
| 6262.00062.08 | Washing tank heater cover |
| 9099.01000.14 | Washing tank heater |
| 2710.00501.36 | Heat Transfer Plate |
| 6262.00028.08 | drain plug |
| 6262.00027.07 | Suction filter top part |
| 6262.00027.06 | Suction filter center part |
| 6226.00004.07 | Suction filter seal |
| 6262.00027.05 | Suction filter lower part |
| 6262.00021.163 | Drain hose (for models have drain pump) |
| 6262.00021.76 | Drain pump hose |
| 9099.P251E.00 | Drain pump |
| 6262.00041.03 | Shaff |
| 6262.00041.04 | Screw |
| 6259.00003.043 | Cable Gland |
| 6606.00001.12 | Grommet rubber Ø8x16 |

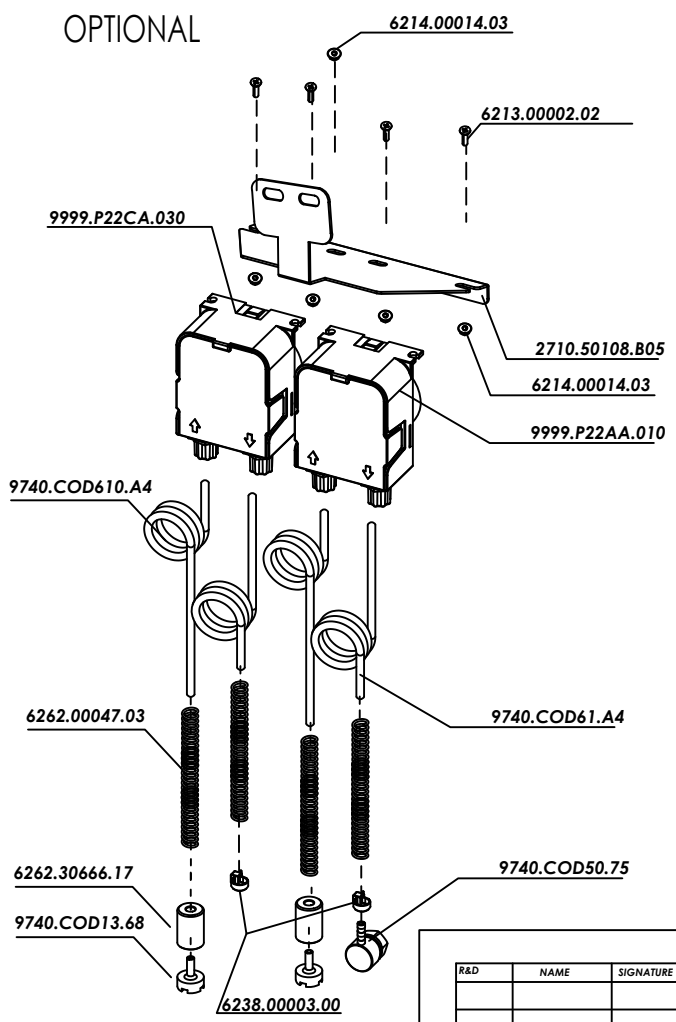
| R&D | NAME | SIGNATURE | DATE | VERSION NO. |
|-----|------|-----------|------|-------------|
| | | | | |
| | | | | |
| | | | | |

GROUP NAME: **WASHING GROUP**

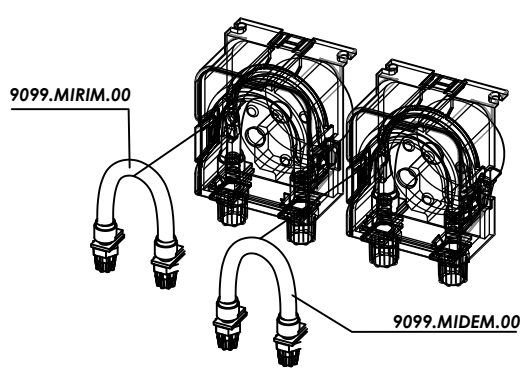
| Item names/Codes | |
|------------------|----------------------------------|
| 6221.00001.020 | Clamp |
| 6262.00021.22 | Rinsing hose group |
| 5A1X.37640.615 | Pressure switch |
| 6262.00021.07 | Pressure switch hose |
| 6262.00026.03 | Air trap |
| 6262.00026.02 | Air tap gasket |
| 6262.00021.12 | Water inlet hose |
| 9099.FPD18.0A | Water inlet valve |
| 2710.FA500.00 | Boiler Body with 3000 W heater |
| 6262.00021.61 | Hose |
| 6262.30666.013 | Rinse-aid connection check valve |
| 9099.01000.08 | Heater 3000 W |
| 6262.00062.01 | Heater cover |



OPTIONAL



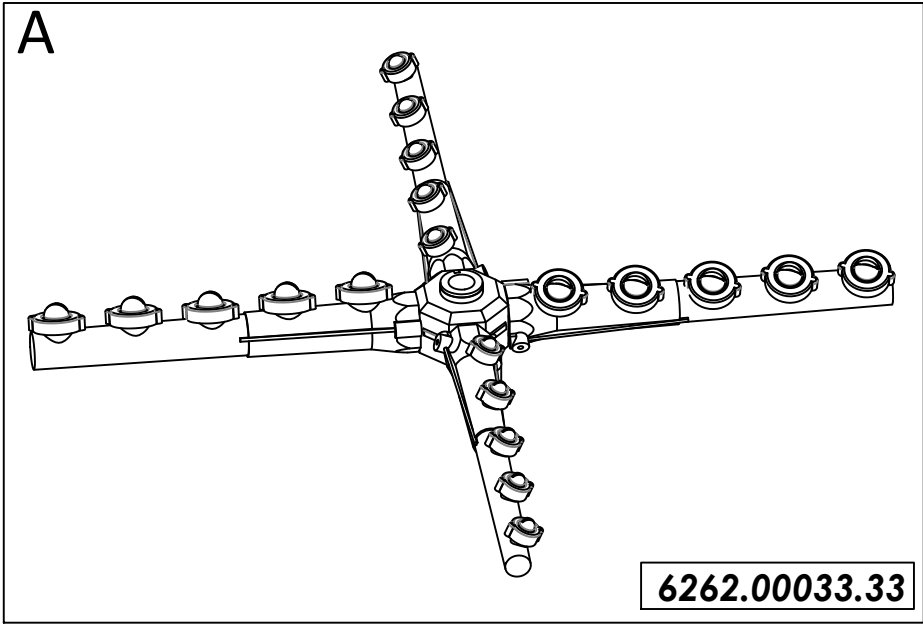
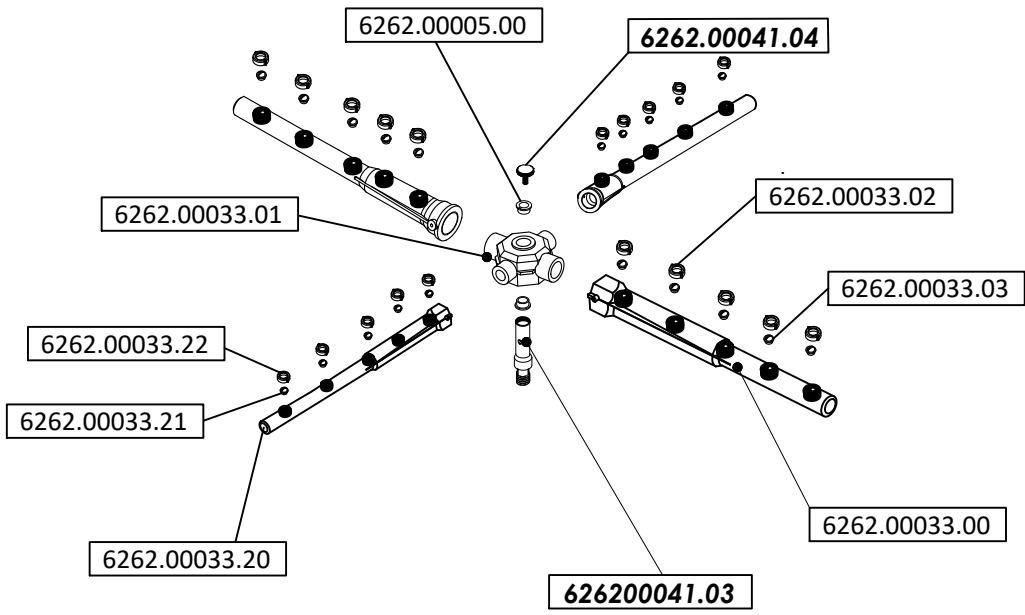
| Detergent/Rinse aid pump group (optional) | | |
|---|--|----------|
| Item names/Codes | | Quantity |
| 2710.50108.B05 | Detergent / Rinse aid pump connection plate | 1 |
| 6214.00014.03 | M4 hex nut with flange | 5 |
| 6213.00002.02 | M4*16 YHB Screw | 4 |
| 9999.P22CA.030 | Rinse aid pump | 1 |
| 9740.COD610.A4 | Rinse aid pump hose (blue) (4 meters) | 1 |
| 6262.00047.03 | Spring dosing hose cover | 4 |
| 9740.COD13.68 | Detergent/Rinse aid pump plastic filter | 2 |
| 6262.30666.17 | Detergent/Rinse aid pumps stainless steel weight | 2 |
| 6238.00003.00 | Cable tie | 2 |
| 9999.P22AA.010 | Detergent pump | 1 |
| 9740.COD61.A4 | Detergent pump hose (transparent) (4 meters) | 1 |
| 9740.COD50.75 | Detergent pump tank connection part | 1 |
| 9099.MIDEM.00 | Inner Detergent pump tube | |
| 9099.MIRIM.00 | Inner rinse aid pump tube | |



| R&D | NAME | SIGNATURE | DATE | VERSION NO. |
|-----|------|-----------|------|-------------|
| | | | | |
| | | | | |

GROUP NAME: **RINSING GROUP**

DETAIL A



| Item names/Codes | |
|------------------|--|
| 6262.00041.04 | Screw |
| 6262.00041.03 | Shaft |
| 6262.00005.00 | Collector plastic part |
| 6262.00033.01 | Collector(washing&rinsing) |
| 6262.00033.02 | Washing arm nut |
| 6262.00033.03 | Washing arm nozzle |
| 6262.00033.00 | Washing arm (without nut&nozzle) |
| 6262.00033.20 | Rinsing Arm(without nut&nozzle) |
| 6262.00033.21 | Rinsing Arm nozzle |
| 6262.00033.22 | Rinsin Arm nut |
| 6262.00033.33 | Washing&Rinsing Arm (Completely) plst. |

| R&D | NAME | SIGNATURE | DATE | VERSION NO. |
|-----|------|-----------|------|-------------|
| | | | | |
| | | | | |
| | | | | |

GROUP NAME: **SPRAY ARM GROUP**