

GS340P-EK GGM

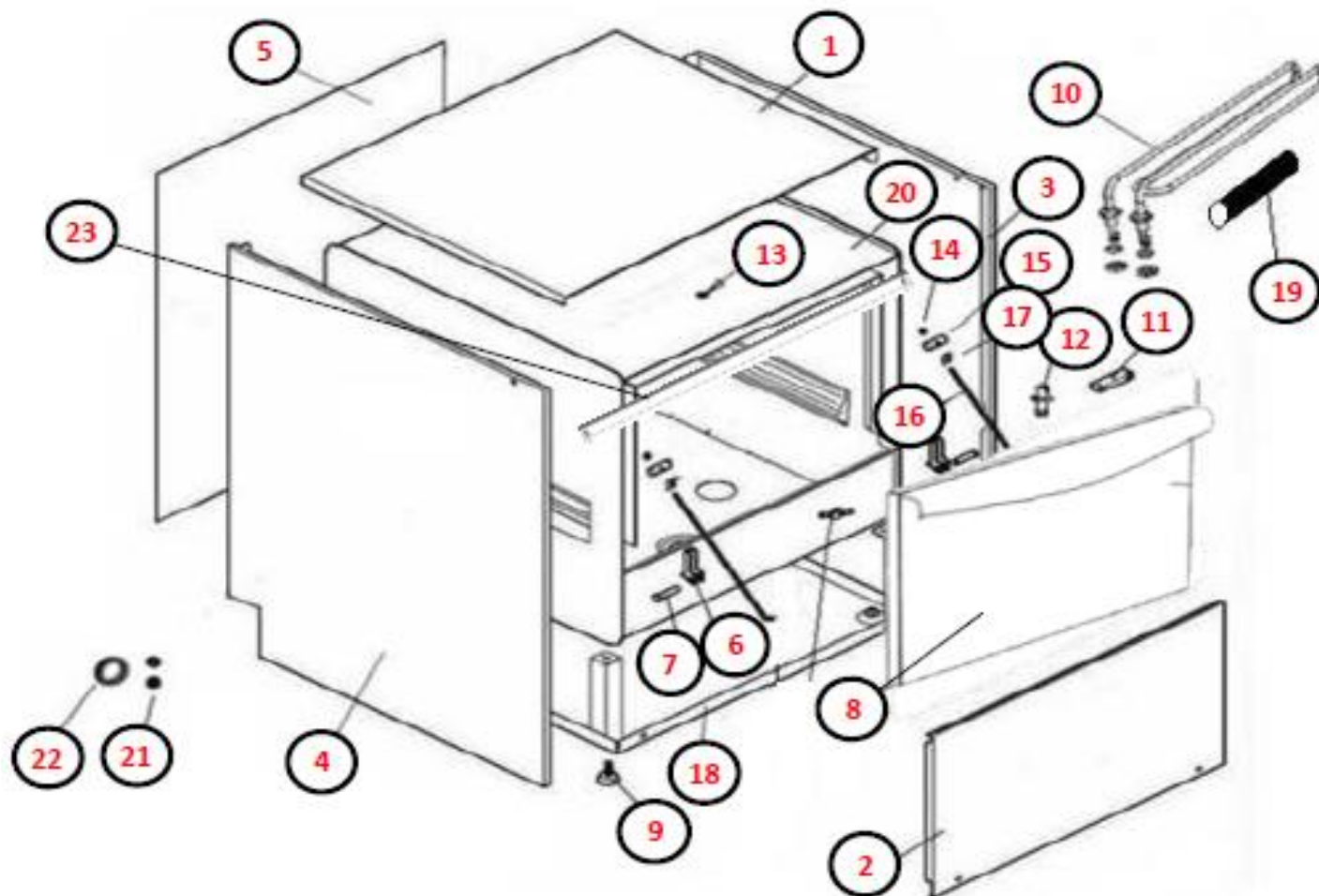
POS	CODE	DESCRIPTION	DESCRIPTION	QTA
1	P1	PANNELLERIA	FRAME	1
2	P2	RISCIACQUO	RINSE	1
3	P3	LAVAGGIO	WASH	1
4	P4	GIRANTI	ARMS	1
5	P5	CABLAGGIO	WIRING	1



GS340P-EK GGM

POS	CODE	DESCRIZIONE	DESCRIPTION	NR
1	902167	PANN. SUP. N700 IMPERIAL	UPPER PANEL N700 IMPERIAL	1
2	902438	PANNELLO INFERIORE N700 IMPERIAL	LOWER PANEL N700 IMPERIAL	1
3	902164	PANN. LAT. N700 DX IMPERIAL	RIGHT-SIDE PANEL N700 IMPERIAL	1
4	902165	PANN. LAT. N700 SX IMPERIAL	LEFT-SIDE PANEL N700 IMPERIAL	1
5	902166	PANN. POST. N700 IMPERIAL	BACK PANEL N700 IMPERIAL	1
6	901245	CERNIERA PORTA SERIE S-N-E	DOOR HINGE MODEL S-N-E	2
7	904795	PERNO PORTA	DOOR PIVOT	2
8	905180	PORTA N700 CON M.I. SILANOS 2012	DOOR N700 WITH STAINLESS HANDLE SILANOS 2012	1
9	905000	PIEDINO LAVAGGIO PVC NEW	FEET, WASH PVC NEW	4
10	905745	RESIST. VASCA 2.5KW 230V	TANK HEATING ELEMENT 2.5KW 230V	1
11	903651	MAGNETE + CUSTODIA FRONTALI	MAGNET + CONTAINER DISHWASHER	1
12	906121	SCROCCHETTO CON ROTELLA + DADO	LATCH WITH WHEEL + NUT	1
13	902132	GHIERA FISSAGGIO PANNELLO SUPERIORE	FASTENING FERRULE, UPPER PANEL	2
14	902040	DADO ATB 6	NUT ATB 6	2
15	905424	FERMO TIRANTE PORTA M6	TIE-ROD DOOR STOP M6	2
16	902740	TIRANTE PORTA M6X265	DOOR TIE-ROD M6X265	2
17	904952	PIASTRINA SCORR. TIRANTE PORTA	SLIDING PLATE FOR SPRINGS TIGHTENING	2
18	900095	BASAMENTO N700 UNICO 2015	SOLE BASEMENT N700 2015	1
19	904958	PROT. RESISTENZA VASCA IN SILICONE	TANK-HEATING ELEMENT PROTECTION SILICONE	2
20	901767	VASCA N750	TANK N750	1
21	904723	PASSACAVO TUBO BRILL./DET.	CABLE BUSHING RINSE PRODUCT/DETERGENT HOSE	2
22	904721	PASSACAVO TUBO SCARICO LAVAGGIO	CABLE BUSHING DRAIN HOSE	1
23	902794	GUARN. PORTA N700-N700FH L=558MM	DOOR SEAL N700-N700FH L=558MM	1

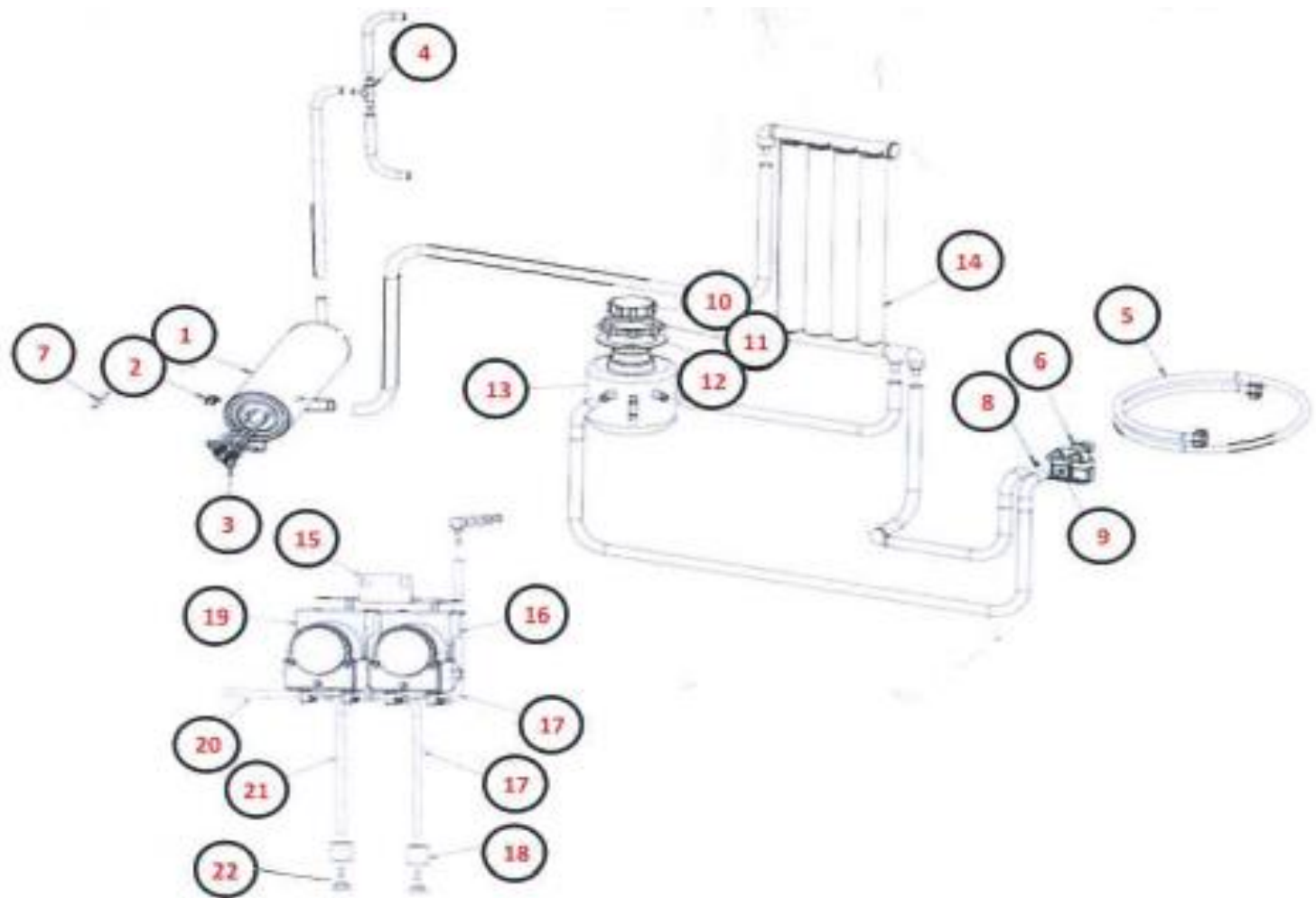
GS340P-EK GGM



GS340P-EK GGM

POS	CODE	DESCRIZIONE	DESCRIPTION	NR
1	900384	BOILER 600-700-N45-N50-N90 5LT.	BOILER 600-700-N45-N50-N90 5LT.	1
2	907297	TERMOSTATO SICUR. 110° PASTIGLIA	SAFETY THERMOSTAT 110° PADDLE	1
3	905560	RESIST. BOILER/VASCA D.R. 4.5KW 230V +OR	HEATING ELEMENT BOILER/TANK D.R. 4.5KW 230V +OR	1
4	905382	RACC. 3 VIE RISCIAQUO	THREE-WAY CONNECTION RINSE	1
5	907348	TUBO CARICO 90° 1500MM S 800 HW	WATER LOAD HOSE 90° 1500MM S 800 HW	1
6	902401	ELETTROV. 2 VIE Ø10 CON RIDUTTORE ROSSO	2-WAYS SOLENOID VALVE Ø10 WITH RED REDUCER	1
7	904075	LAMELLA OTTONE	BRASS PLATE	1
8	905484	GRUPPO REGOLATORE 3.75 LT. GRIGIO	GREY REGULATOR GROUP 3.75 LT	1
9	NA	NON DISPONIBILE	NOT AVAILABLE	NA
10	906418	TAPPO CONTENITORE SALE	SALT-CONTAINER CAP	1
11	902830	GHIERA CONTENITORE SALE	FERRULE, SALT CONTAINER	1
12	903340	GUARN. CONTENITORE SALE	SALT CONTAINER GASKET	1
13	901770	CONTENITORE SALE COMPLETO	COMPLETE SALT CONTAINER	1
14	902150	DECALCIFICATORE	SOFTENER	1
15	906375	SUPP. DOSATORE BRILL. SEKO - GERMAC	SUPPORT FOR RINSE-PRODUCT DOSING UNIT SEKO GERMAC	1
16	902053	DOSATORE DETERS. PERIST. SEKO SENZA REG.	PERISTALTIC DETERGENT PUMP WITHOUT REGULATOR	1
17	907278	TUBO CRYSTAL ROSSO 4X7	TRASPARENT-RED HOSE 4X7	2
18	906620	PESO TUBETTO DET./BRILL.	WEIGHT RINSE PRODUCT/ETERGENT HOSE	2
19	902095	DOSATORE BRILL. PERIST. SEKO SENZA REG.	PERISTALTIC RINSE-PRODUCT PUMP WITHOUT REGULATOR	1
20	902046	TUBO CRYSTAL TRASP. 4X7	TRASPARENT HOSE 4X7	1
21	907279	TUBO SILICONE 4X7	SILICONE HOSE 4X7	1
22	902569	FILTRO DOSATORE	DOSING UNIT FILTER	2

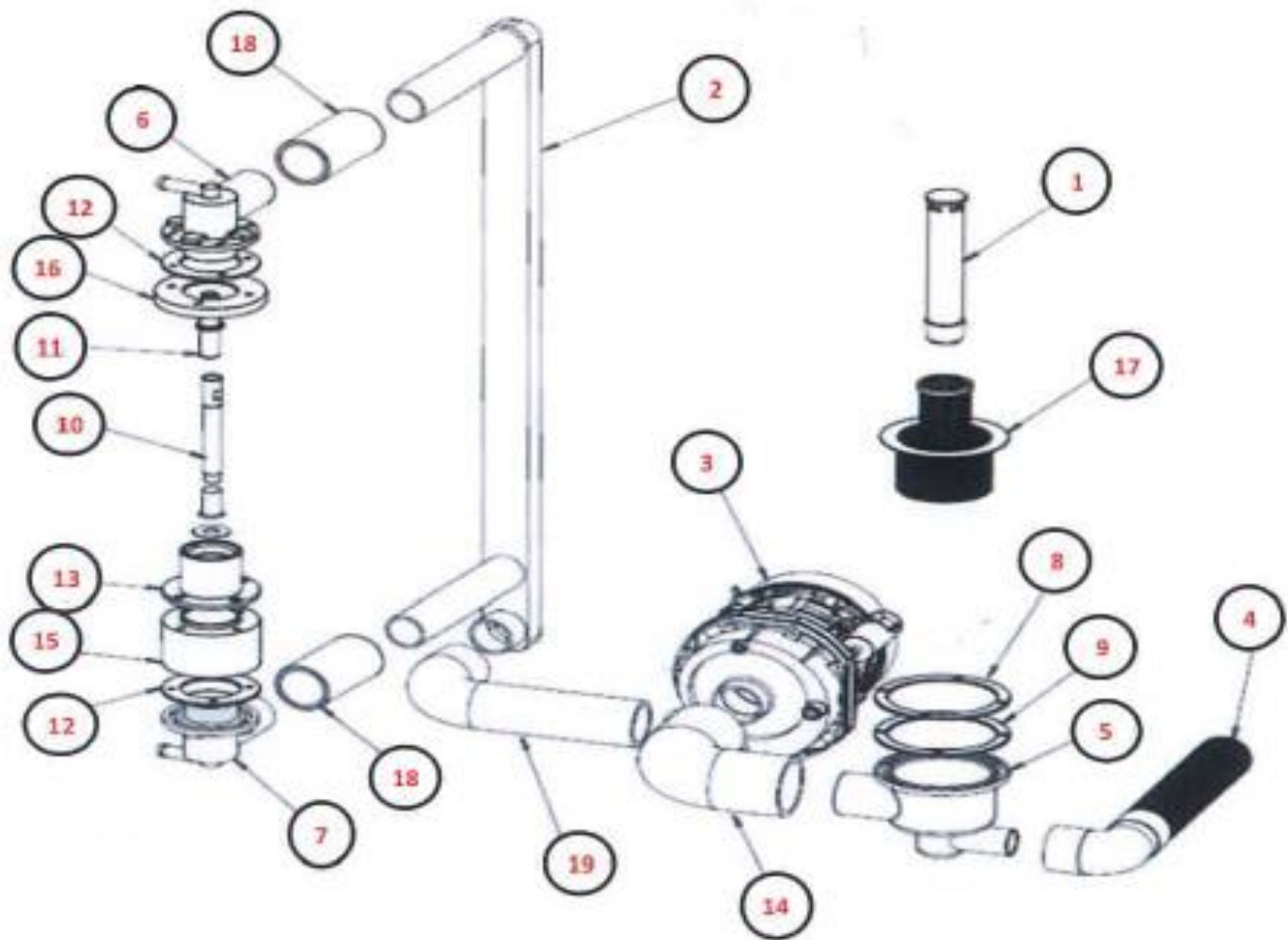
GS340P-EK GGM



GS340P-EK GGM

POS	CODE	DESCRIZIONE	DESCRIPTION	NR
1	900129	TROPPO PIENO N650-N750-E45-E50 PS 2015	OVERFLOW CAP N650-N750-E45-E50 PS 2015	1
2	908701	COLONNA LAVAGGIO N700/E50	WASH COLUMN N700/E50	1
3	902263	POMPA 0.40KW 230/1/50 N700-N750-E45-E50	PUMP 0.40KW 230/1/50 N700-N750-E45-E50	1
4	907440	TUBO SCARICO Ø24 1500MM	DRAIN HOSE Ø24 1500MM	1
5	905236	POZZ. ASPIRAZ. MAGGIORATO ASP. Ø45	INCREASED SUMP Ø45	1
6	905456	MOZZO LAV. DX	WASH HUB RH	1
7	905449	MOZZO LAV. SX	WASH HUB LH	1
8	905238	FLANGIA POZZETTO MAGGIORATO ASP./SCAR.	FLANGE ASPIRATION/DRAIN SOAKAWAY	1
9	905378	GUARN. POZZETTO MAGGIORATO	INCREASED PIT GASKET	1
10	908705	PERNO LAV. INF. N600/N700/E45/E50	LOWER-WASH-ARM PIVOT N600/N700/E45/E50	1
11	904799	PERNO LAV. SUP. N600/N700/N45/N50	PIVOT UPPER WASH N600/N700/N45/N50	1
12	908141	GUARN. RACC. LAV. N45/N50/N700/N1000	GASKET WASH JUNCTION N45/N50/N700/N1000	1
13	905388	RACC. INF. LAV. E45/E50/N45/N50/N700/N1000	LOWER RINSE CONNECTION E45/E50/N45/N50/N700/N1000	1
14	903758	MANICOTTO ASP. N700	ASPIRATION SLEEVE N700	2
15	908702	DISTANZIALE RACC. LAV. N700/N750	WASH CONNECTION SPACER N700/N750	1
16	908154	FLANGIA NORYL MOZZO SUP. LAVAPIATTI	FLANGE UPPER HUB - DISHWASHER	1
17	902399	FILTRO CON CILINDRO PPL H140MM Ø98MM	FILTER WITH PLASTIC BARREL H140MM Ø98MM	1
18	903756	TRONCHETTO MAND. N45/N50/N90/N700FH	INLET SOCKET N45/N50/N90/N700FH	2
19	909371	MANICOTTO MANDATA N750/E50/E45	INLET SLEEVE N750/E50/E45	1

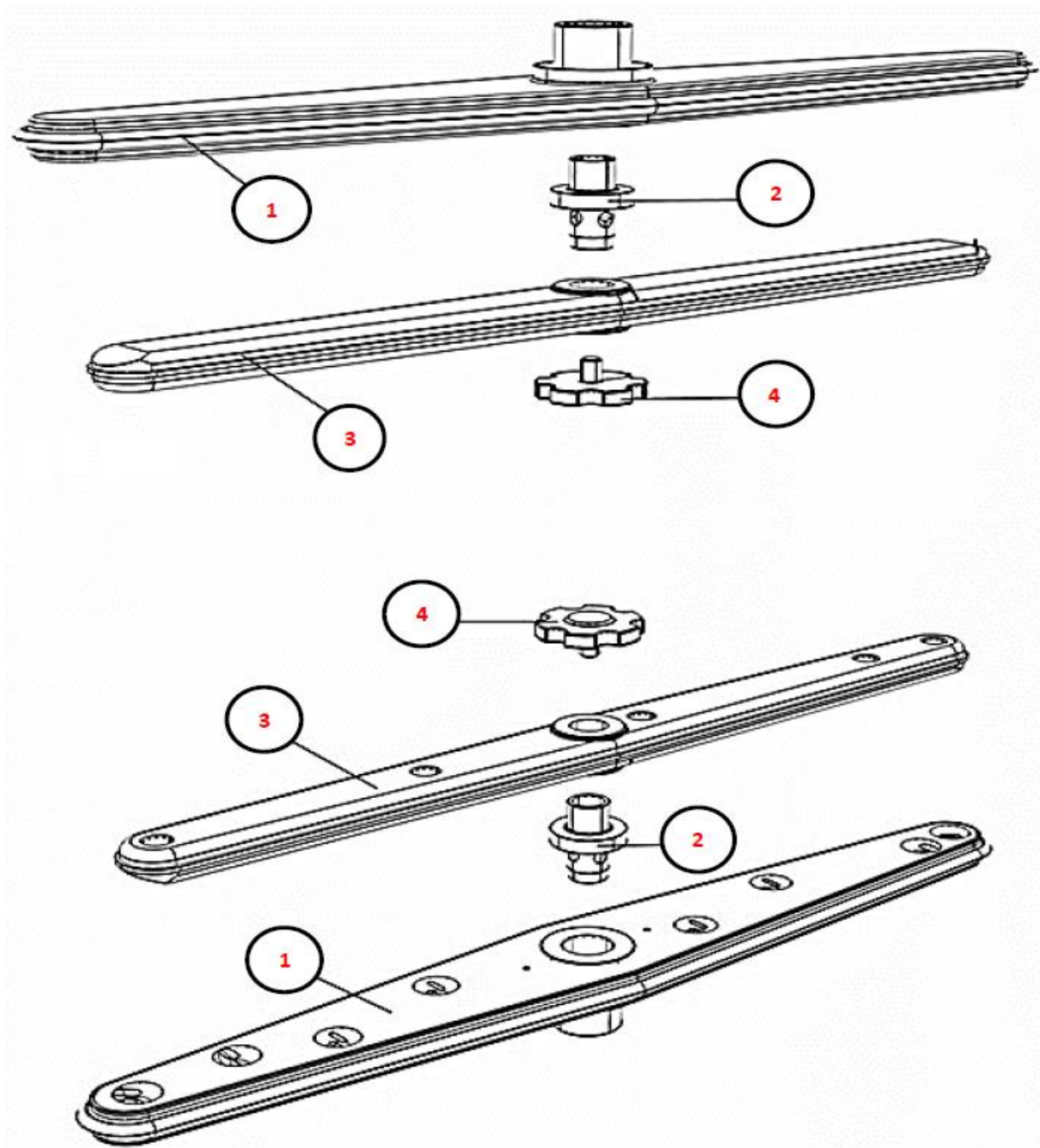
GS340P-EK GGM



GS340P-EK GGM

POS	CODE	DESCRIZIONE	DESCRIPTION	NR
1	903107	GIRANTE LAVAGGIO SP.4 CON MOZZO	WASH ARM 4 WITH HUB	2
2	908771	PERNO GIRANTE RISC. PIATTA PPL E INOX	PIVOT FLAT RINSE ARM (POLYPROPYLENE AND STAINLESS STEEL)	2
3	907958	GIRANTE RISCIAQUO 4 PPL	PP RINSE ARM 4	2
4	902880	GHIERA FERMO GIRANTI	STOP FERRULE, ARMS	2

GS340P-EK GGM



GS340P-EK GGM

POS	CODE	DESCRIZIONE	DESCRIPTION	NR
1	901928	TARGA N750 EVO 3 GGM	PLATE N750 EVO 3 GGM	1
2	900544	CAVO TELEFONICO SCHEDA EVO2/3 ELCA L=500MM	PHONE CABLE FOR EVO2/3 ELCA BOARD L=500MM	1
3	905264	PRESSOSTATO 35/17	PRESSURE SWITCH 35/17	1
4	907279	TUBO SILICONE 4X7	SILICONE HOSE 4X7	1
5	902111	GHIERA 3/8" PPL	PLASTIC FERRULE 3/8"	1
6	903260	GUARN. 3/8" TR. ARIA	GASKET 3/8", AIR TRAP	1
7	905262	TRAPPOLA ARIA 90MM GRIGIO CHIARO	AIR TRAP 90MM LIGHT GREY	1
8	906788	CAVO ALIMENTAZ. 5X2.5X3500 H07	POWER-SOURCE CABLE 5X2.5X3500 H07	1
9	902683	PRESSACAVO PG16	CABLE GLAD PG16	1
10	904150	MORSETTIERA 6 POLI N600-N700-E45-E50	TERMINAL BOX 6 POLES N600-N700-E45-E50	1
11	909430	REED MAGNETICO TRONIC GICAR	MAGNETIC REED TRONIC GICAR	1
12	904162	MORSETTO BIPOLARE CON SPALLA	2-POLE CLAMP WITH BRACKET	1
13	907190	TELERUTTORE 9A 230V CON ATTUATORE LOVATO	CONTACTOR 9A WITH ACTUATOR LOVATO	1
14	902107	FILTRO ANTIDISTURBO TRIFASE	THREE-PHASED ANTINOISE FILTER	1
15	901914	SCHEDA FRONTALE EVO3	FRONT BOARD EVO 3	1
16	907399	SCHEDA EVO2/3 BASE ELCA 10 RELE	BASE BOARD EVO2/3 10 RELAY	1
17	901938	APPLICATORE WI-FI EVO2-EVO3	WI-FI APPLICATOR EVO2-3	1
18	900543	SONDA NTC AD OCCHIELLO EVO 2/3 ELCA	PROBE EYE NTC EVO2/3 ELCA	1
19	900541	SONDA NTC A BULBO EVO2/3 ELCA	BULB PROBE NTC EVO2/3 ELCA	1
20	900807	CONNETTORE STOCKO 7 POLI SCHEDE ELCA	7-POLE CONNECTOR STOCKO ELCA BOARD	1
21	900808	CONNETTORE STOCKO 8 POLI SCHEDE ELCA	8-POLE CONNECTOR STOCKO ELCA BOARD	1
22	900803	CONNETTORE STOCKO 3 POLI SCHEDE ELCA	3-POLE CONNECTOR STOCKO ELCA BOARD	1
23	900802	CONNETTORE STOCKO 2 POLI SCHEDE ELCA	2-POLE CONNECTOR STOCKO, ELCA BOARD	1
24	902193	DISTANZIALE TIMER ELETTRONICO	ELECTRONIC TIMER SPACER	8
25	902302	ISOLATORE SCHEDE BASE EVO2 ELCA	BASE BOARD ISOLATOR EVO2 ELCA	1
26	902437	RETROTARGA CON PIASTRA N700 EVO3 IMPERIAL	BACKPLATE WITH PLATE N700 EVO3 IMPERIAL	1

GS340P-EK GGM

