

GS405SA SHISHA GGM

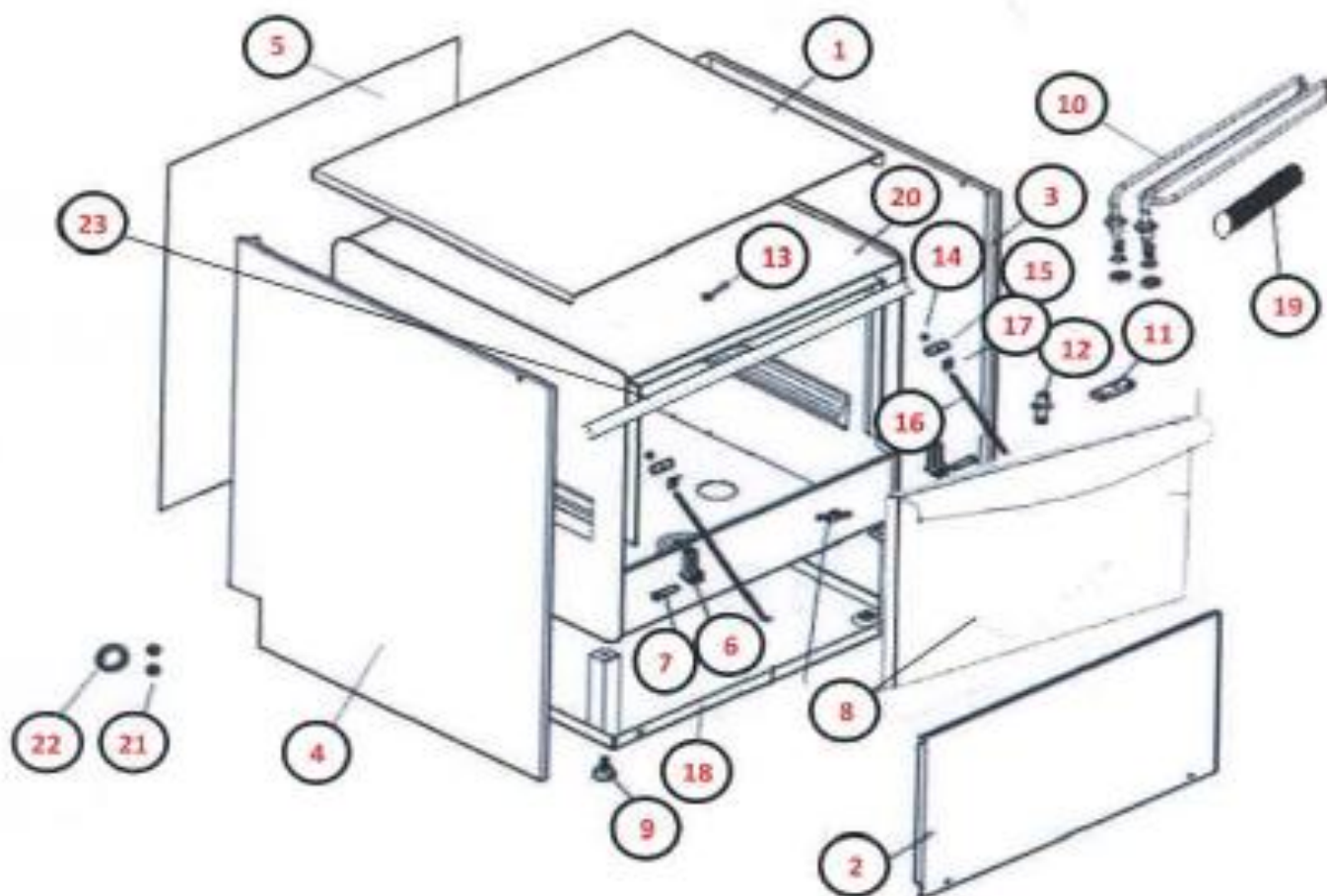
POS	CODE	DESCRIPTION	DESCRIPTION	QTA
1	P1	PANNELLERIA	FRAME	1
2	P2	RISCIACQUO	RINSE	1
3	P3	LAVAGGIO	WASH	1
4	P4	GIRANTI	ARMS	1
5	P5	CABLAGGIO	WIRING	1
6	O8	KIT SHISHA	KIT SHISHA	1



GS405SA SHISHA GGM

POS	CODE	DESCRIZIONE	DESCRIPTION	NR
1	902167	PANN. SUP. N700 IMPERIAL	UPPER PANEL N700 IMPERIAL	1
2	902184	PANN. INF. N700H IMPERIAL	LOWER PANNEL N700H IMPERIAL	1
3	902181	PANNELLO LATERALE DX H	RIGHT SIDE PANEL H	1
4	902182	PANNELLO LATERALE SX H	LEFT SIDE PANEL H	1
5	902166	PANN. POST. N700 IMPERIAL	BACK PANEL N700 IMPERIAL	1
6	901245	CERNIERA PORTA SERIE S-N-E	DOOR HINGE MODEL S-N-E	2
7	904795	PERNO PORTA	DOOR PIVOT	2
8	905158	PORTA N700H CON M.I. 2020	DOOR N700H WITH HANDLE INOX 2020	1
9	905000	PIEDINO LAVAGGIO PVC NEW	FEET, WASH PVC NEW	4
10	905745	RESIST. VASCA 2.5KW 230V	TANK HEATING ELEMENT 2.5KW 230V	1
11	903651	MAGNETE + CUSTODIA FRONTALI	MAGNET + CONTAINER DISHWASHER	1
12	906121	SCROCCHETTO CON ROTELLA + DADO	LATCH WITH WHEEL + NUT	1
13	902132	GHIERA FISSAGGIO PANNELLO SUPERIORE	FASTENING FERRULE, UPPER PANEL	2
14	902040	DADO ATB 6	NUT ATB 6	2
15	905424	FERMO TIRANTE PORTA M6	TIE-ROD DOOR STOP M6	2
16	902740	TIRANTE PORTA M6X265	DOOR TIE-ROD M6X265	2
17	904952	PIASTRINA SCORR. TIRANTE PORTA	SLIDING PLATE FOR SPRINGS TIGHTENING	2
18	900095	BASAMENTO N700 UNICO 2015	SOLE BASEMENT N700 2015	1
19	904958	PROT. RESISTENZA VASCA IN SILICONE	TANK-HEATING ELEMENT PROTECTION SILICONE	2
20	902827	VASCA N700H	TANK N700H	1
21	904723	PASSACAVO TUBO BRILL./DET.	CABLE BUSHING RINSE PRODUCT/DETERGENT HOSE	2
22	904721	PASSACAVO TUBO SCARICO LAVAGGIO	CABLE BUSHING DRAIN HOSE	1
23	902794	GUARN. PORTA N700-N700FH L=558MM	DOOR SEAL N700-N700FH L=558MM	1

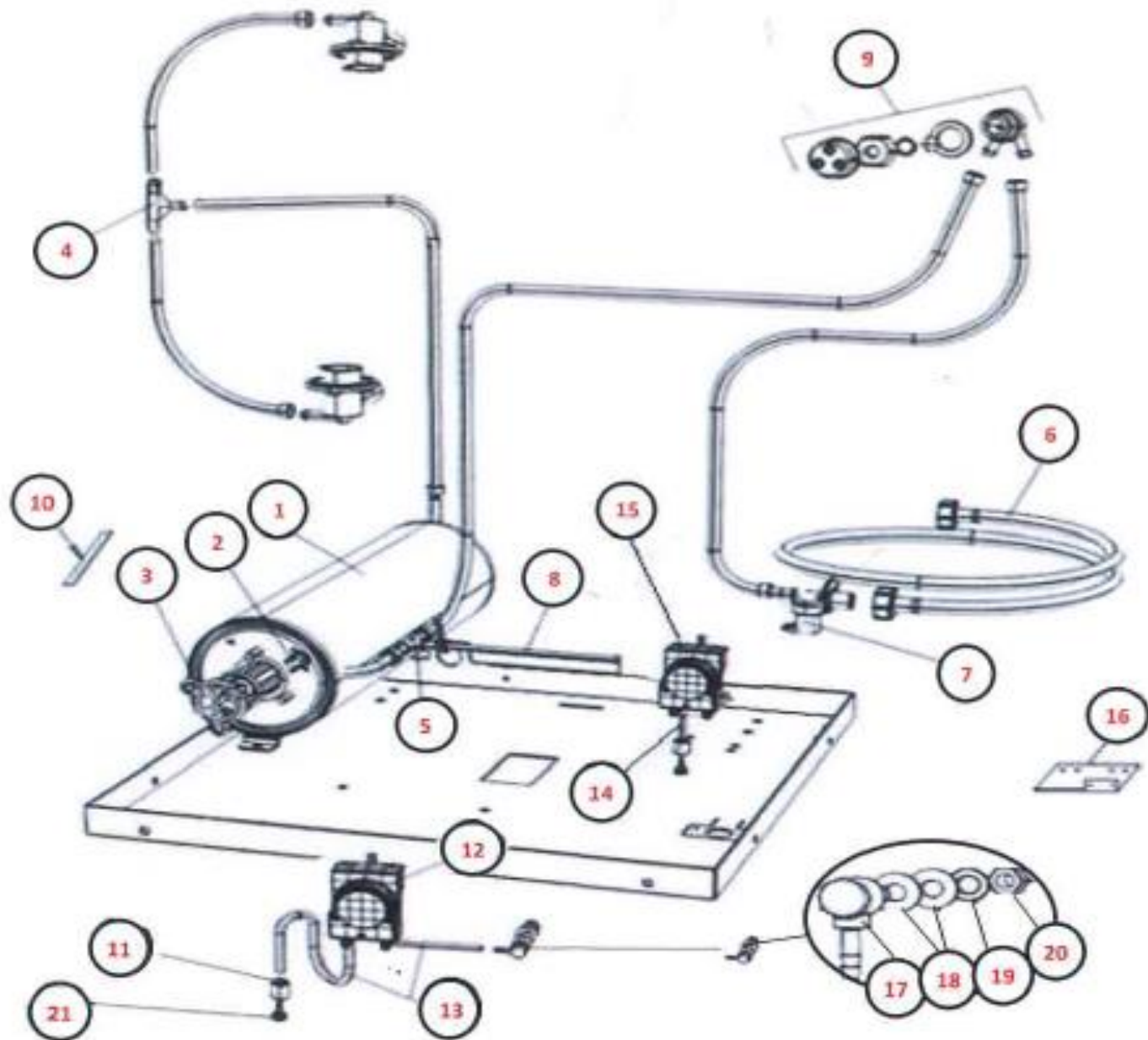
GS405SA SHISHA GGM



GS405SA SHISHA GGM

POS	CODE	DESCRIZIONE	DESCRIPTION	NR
1	900384	BOILER 600-700-N45-N50-N90 5LT.	BOILER 600-700-N45-N50-N90 5LT.	1
2	907297	TERMOSTATO SICUR. 110° PASTIGLIA	SAFETY THERMOSTAT 110° PADDLE	1
3	905560	RESIST. BOILER/VASCA D.R. 4.5KW 230V +OR	HEATING ELEMENT BOILER/TANK D.R. 4.5KW 230V +OR	1
4	905382	RACC. 3 VIE RISCIAQUO	THREE-WAY CONNECTION RINSE	1
5	905434	RACC. 3 VIE DOSATORE SU POMPA	THREE-WAY CONNECTION DOSING PUMP	1
6	907348	TUBO CARICO 90° 1500MM S 800 HW	WATER LOAD HOSE 90° 1500MM S 800 HW	1
7	902390	ELETTROV. 1 VIA Ø10	1-WAY SOLENOID VALVE Ø10	1
8	907279	TUBO SILICONE 4X7	SILICONE HOSE 4X7	1
9	TR2433	VALVOLA ANTIRITORNO	NON-RETURN VALVE	1
10	904075	LAMELLA OTTONE	BRASS PLATE	1
11	906620	PESO TUBETTO DET./BRILL.	WEIGHT RINSE PRODUCT/ETERGENT HOSE	2
12	902053	DOSATORE DETERS. PERIST. SEKO SENZA REG.	PERISTALTIC DETERGENT PUMP WITHOUT REGULATOR	1
13	907278	TUBO CRYSTAL ROSSO 4X7	TRASPARENT-RED HOSE 4X7	1
14	902046	TUBO CRYSTAL TRASP. 4X7	TRASPARENT HOSE 4X7	1
15	902095	DOSATORE BRILL. PERIST. SEKO SENZA REG.	PERISTALTIC RINSE-PRODUCT PUMP WITHOUT REGULATOR	1
16	952820	SUPP. DOS. PERISTALTICO DOPPIO	DOUBLE PERISTALTIC DOSING PUMP SUPPORT	1
17	906708	RACC. INOX ENTR. DETERSIVO VASCA ANT.	STAINLESS-STEEL FRONT INLET CONNECTION FOR DETERGENT IN TANK	1
18	903253	GUARN. RACC. DOS/SFIATO PS	GASKET DOSING UNIT/AIR VENT JUNCTION	2
19	906010	RONDELLA Ø5 P.	WASHER Ø5 P.	1
20	902030	DADO ATB 5	NUT ATB 5	1
21	902569	FILTRO DOSATORE	DOSING UNIT FILTER	2

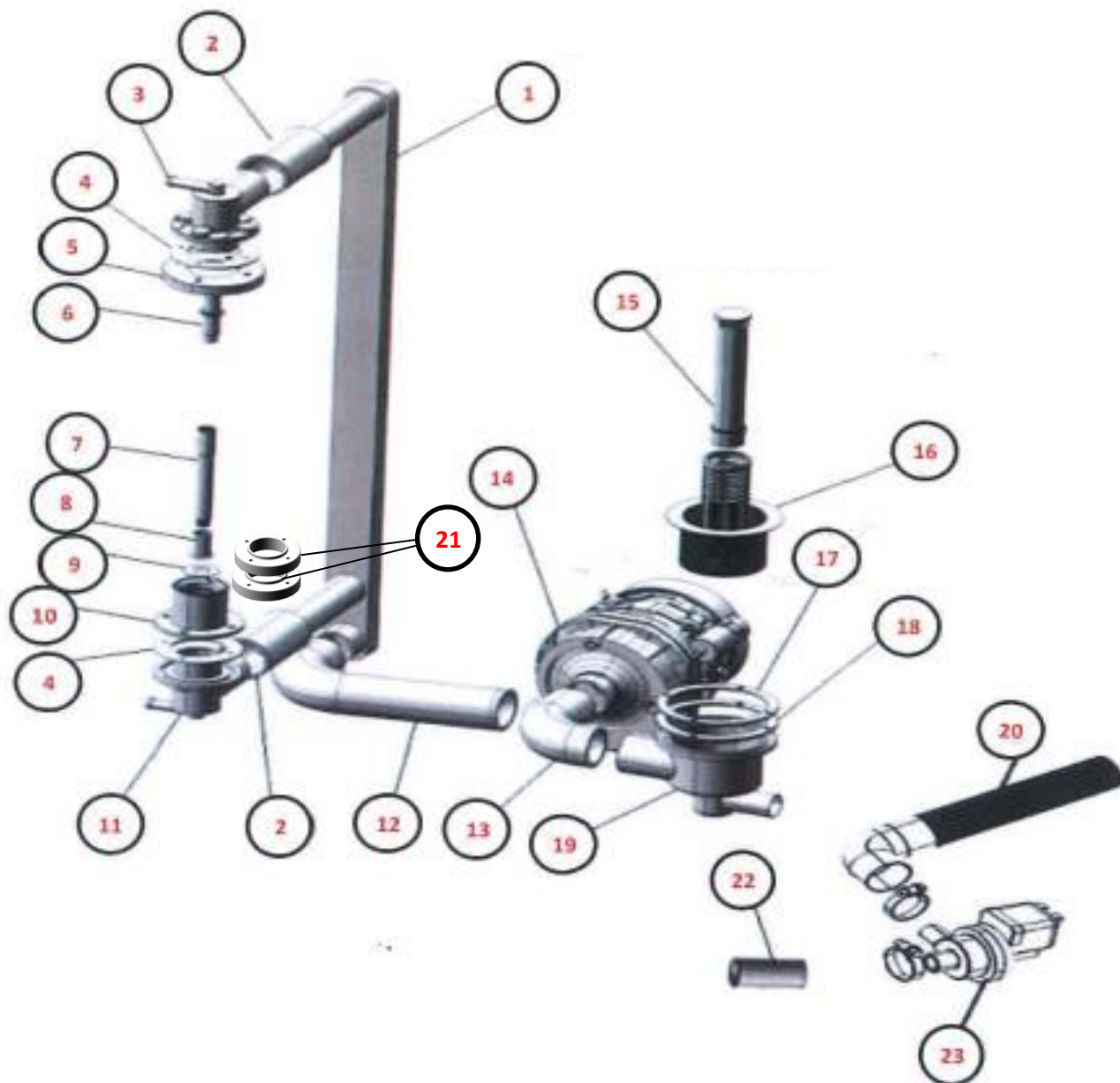
GS405SA SHISHA GGM



GS405SA SHISHA GGM

POS	CODE	DESCRIZIONE	DESCRIPTION	NR
1	908701	COLONNA LAVAGGIO N700/E50	WASH COLUMN N700/E50	1
2	903756	TRONCHETTO MAND. N45/N50/N90/N700FH	INLET SOCKET N45/N50/N90/N700FH	2
3	905456	MOZZO LAV. DX	WASH HUB RH	1
4	903280	GUARN. 1" MOZZO LAV. ESTERNO VT	GASKET 1" EXTERNAL WASH HUB (OLD TYPE)	1
5	908154	FLANGIA NORYL MOZZO SUP. LAVAPIATTI	FLANGE UPPER HUB - DISHWASHER	1
6	904799	PERNO LAV. SUP. N600/N700/N45/N50	PIVOT UPPER WASH N600/N700/N45/N50	1
7	908734	PERNO LAV. INF. N45/N50/N1000	LOWER-WASH-ARM PIVOT N45/N50/N1000	1
8	NA	NON DISPONIBILE	NOT AVAILABLE	NA
9	NA	NON DISPONIBILE	NOT AVAILABLE	NA
10	905388	RACC. INF. LAV. E45/E50/N45/N50/N700/N1000	LOWER RINSE CONNECTION E45/E50/N45/N50/N700/N1000	1
11	905449	MOZZO LAV. SX	WASH HUB LH	1
12	909371	MANICOTTO MANDATA N750/E50/E45	INLET SLEEVE N750/E50/E45	1
13	903758	MANICOTTO ASP. N700	ASPIRATION SLEEVE N700	1
14	902263	POMPA 0.40KW 230/1/50 N700-N750-E45-E50	PUMP 0.40KW 230/1/50 N700-N750-E45-E50	1
15	902308	TROPPO PIENO N700H	OVERFLOW CAP N700H	1
16	902310	FILTRO CON CILINDRO INOX H117MM Ø98MM	FILTER WITH INOX CYLINDER H117MM Ø98MM	1
17	905238	FLANGIA POZZETTO MAGGIORATO ASP./SCAR.	FLANGE ASPIRATION/DRAIN SOAKAWAY	1
18	905378	GUARN. POZZETTO MAGGIORATO	INCREASED PIT GASKET	1
19	905237	POZZ. ASPIRAZ. MAGGIORATO ASP. Ø55	INCREASED SUMP Ø55	1
20	907439	TUBO SCARICO Ø19 90° 2000MM PS + CURVA	DRAIN HOSE Ø19 90° 2000MM PS + BLEND	1
21	902183	DISTANZIALE MOZZO INF. N45/N50	LOWER HUB, SPACER N45/N50	2
22	903757	MANICOTTO MANDATA MODELLO B/PS	INLET SLEEVE MODEL B/PS	1
23	902332	POMPA SCARICO MAGNETICA 220/240V 50HZ 40W	MAGNETIC DRAIN PUMP 220/240V 50HZ 40W	1

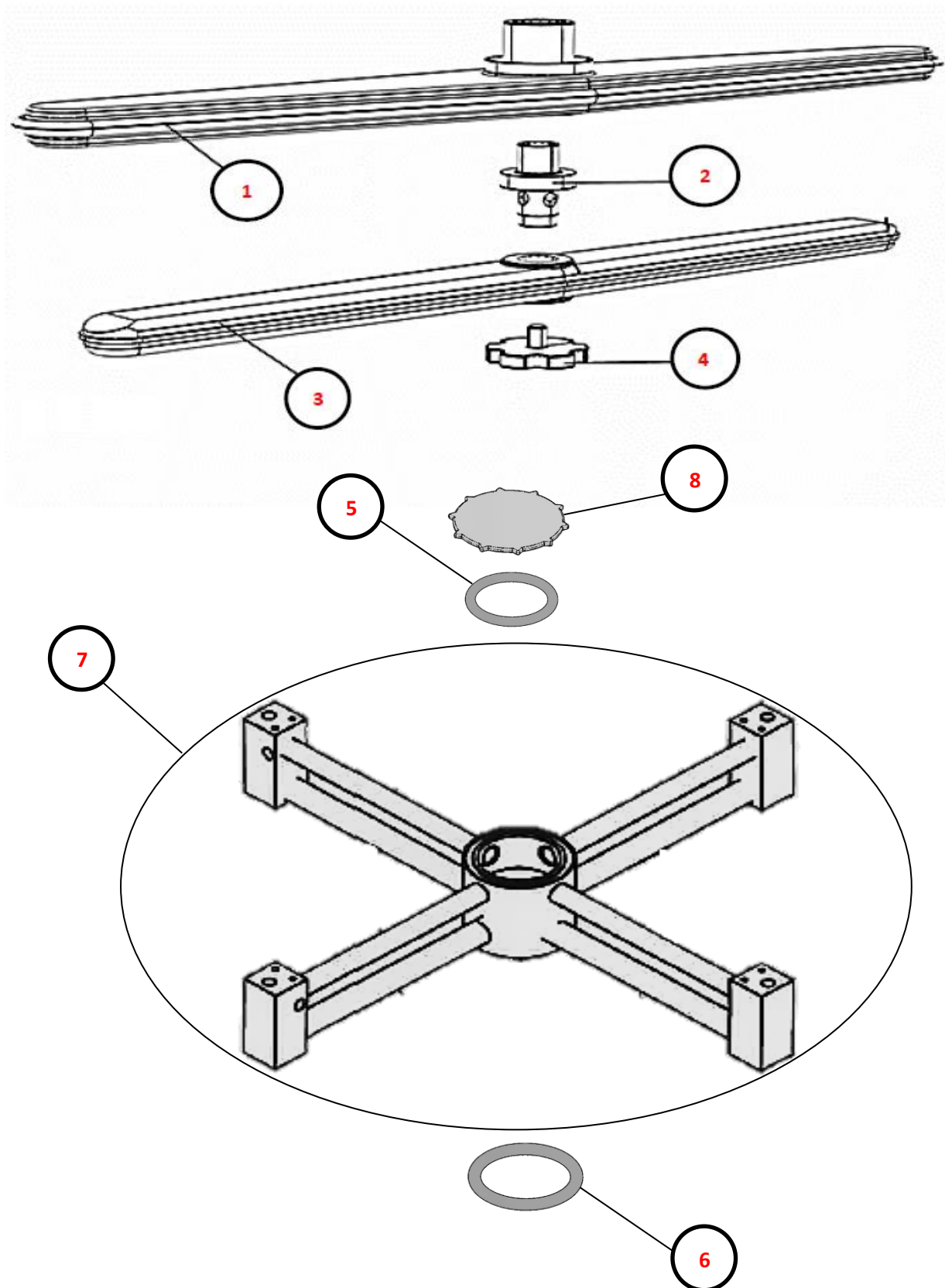
GS405SA SHISHA GGM



GS405SA SHISHA GGM

POS	CODE	DESCRIZIONE	DESCRIPTION	NR
1	903107	GIRANTE LAVAGGIO SP.4 CON MOZZO	WASH ARM 4 WITH HUB	1
2	908771	PERNO GIRANTE RISC. PIATTA PPL E INOX	PIVOT FLAT RINSE ARM (POLYPROPYLENE AND STAINLESS STEEL)	1
3	907958	GIRANTE RISCIAQUO 4 PPL	PP RINSE ARM 4	1
4	902880	GHIERA FERMO GIRANTI	STOP FERRULE, ARMS	1
5	906556	OR 5.33 X 85.09	OR 5.33 X 85.09	1
6	904380	OR 1"1/4 RACC. ASPIR./SCAR.	OR 1"1/4 ASPIRATION/DRAIN JUNCTION	1
7	906434	ASSIEME COMPLETO RACC.+ BRACCIO LAV. +BRACCIO RISC. SHISHA	COMPLETE ASSEMBLY FITTING + ARM WASH+ARM RINSE SHISHA	1
8	952199	GHIERA FISSAGGIO RACC. + BRACCIO LAV. + BRACCIO RISC. SHISHA	RING NUT FOR FITTING + ARM WASH + ARM RINSE SHISHA	1

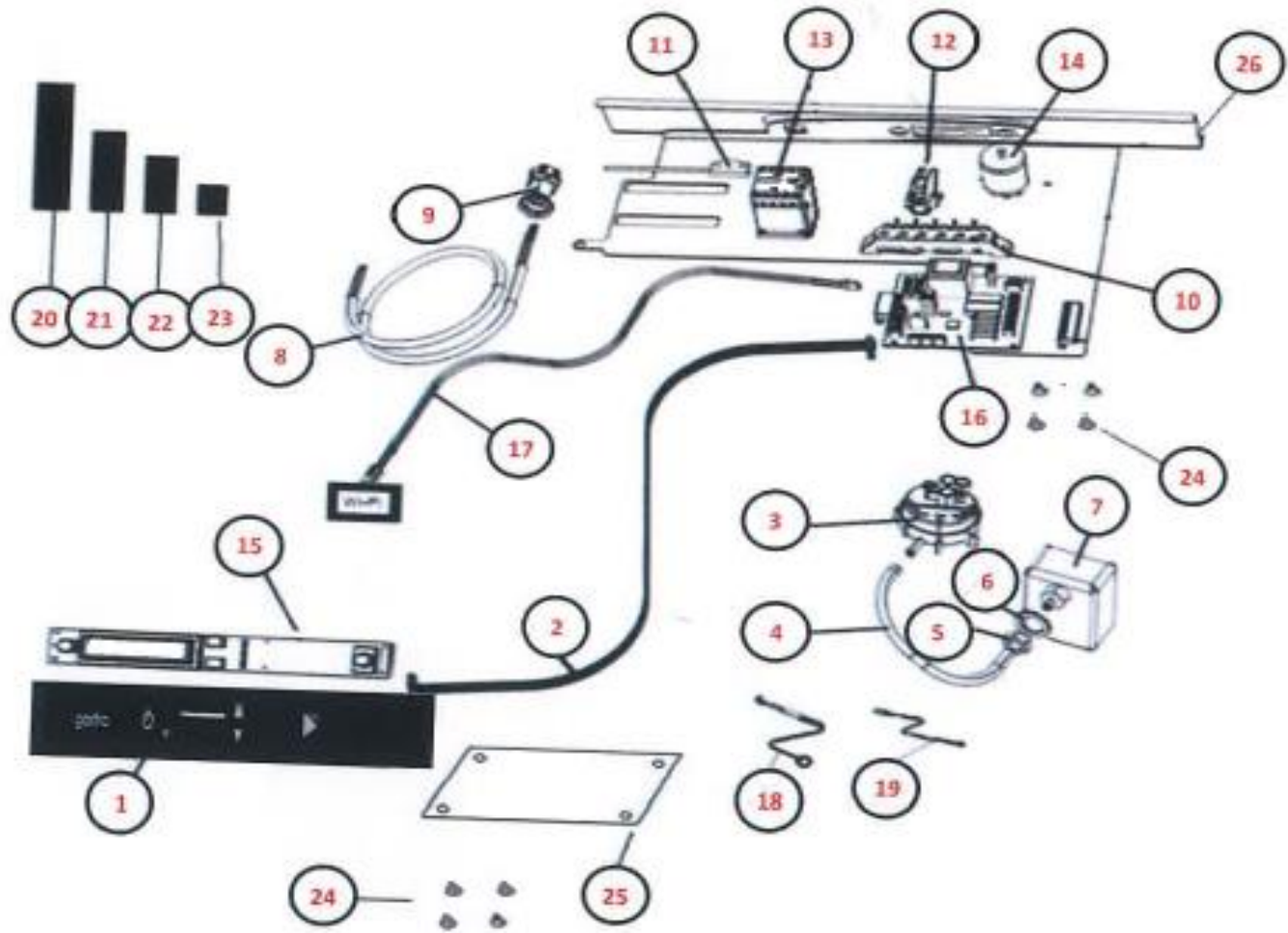
GS405SA SHISHA GGM



GS405SA SHISHA GGM

POS	CODE	DESCRIZIONE	DESCRIPTION	NR
1	901928	TARGA N750 EVO 3 GGM	PLATE N750 EVO 3 GGM	1
2	900544	CAVO TELEFONICO SCHEDA EVO2/3 ELCA L=500MM	PHONE CABLE FOR EVO2/3 ELCA BOARD L=500MM	1
3	905264	PRESSOSTATO 35/17	PRESSURE SWITCH 35/17	1
4	907279	TUBO SILICONE 4X7	SILICONE HOSE 4X7	1
5	902111	GHIERA 3/8" PPL	PLASTIC FERRULE 3/8"	1
6	903260	GUARN. 3/8" TR. ARIA	GASKET 3/8", AIR TRAP	1
7	905239	TRAPPOLA ARIA 45MM GRIGIA	AIR TRAP 45MM GREY	1
8	906788	CAVO ALIMENTAZ. 5X2.5X3500 H07	POWER-SOURCE CABLE 5X2.5X3500 H07	1
9	902683	PRESSACAVO PG16	CABLE GLAD PG16	1
10	904150	MORSETTIERA 6 POLI N600-N700-E45-E50	TERMINAL BOX 6 POLES N600-N700-E45-E50	1
11	909430	REED MAGNETICO TRONIC GICAR	MAGNETIC REED TRONIC GICAR	1
12	904162	MORSETTO BIPOLARE CON SPALLA	2-POLE CLAMP WITH BRACKET	1
13	907190	TELERUTTORE 9A 230V CON ATTUATORE LOVATO	CONTACTOR 9A WITH ACTUATOR LOVATO	1
14	902107	FILTRO ANTIDISTURBO TRIFASE	THREE-PHASED ANTINOISE FILTER	1
15	901914	SCHEDA FRONTALE EVO3	FRONT BOARD EVO 3	1
16	907399	SCHEDA EVO2/3 BASE ELCA 10 RELE	BASE BOARD EVO2/3 10 RELAY	1
17	901938	APPLICATORE WI-FI EVO2-EVO3	WI-FI APPLICATOR EVO2-3	1
18	900543	SONDA NTC AD OCCHIELLO EVO 2/3 ELCA	PROBE EYE NTC EVO2/3 ELCA	1
19	900541	SONDA NTC A BULBO EVO2/3 ELCA	BULB PROBE NTC EVO2/3 ELCA	1
20	900807	CONNETTORE STOCKO 7 POLI SCHEDE ELCA	7-POLE CONNECTOR STOCKO ELCA BOARD	1
21	900808	CONNETTORE STOCKO 8 POLI SCHEDE ELCA	8-POLE CONNECTOR STOCKO ELCA BOARD	1
22	900803	CONNETTORE STOCKO 3 POLI SCHEDE ELCA	3-POLE CONNECTOR STOCKO ELCA BOARD	1
23	900802	CONNETTORE STOCKO 2 POLI SCHEDE ELCA	2-POLE CONNECTOR STOCKO, ELCA BOARD	1
24	902193	DISTANZIALE TIMER ELETTRONICO	ELECTRONIC TIMER SPACER	8
25	902302	ISOLATORE SCHEDE BASE EVO2 ELCA	BASE BOARD ISOLATOR EVO2 ELCA	1
26	902193	DISTANZIALE TIMER ELETTRONICO	ELECTRONIC TIMER SPACER	4
27	902437	RETROTARGA CON PIASTRA N700 EVO3 IMPERIAL	BACKPLATE WITH PLATE N700 EVO3 IMPERIAL	1

GS405SA SHISHA GGM



GS405SA SHISHA GGM

POS	CODE	DESCRIZIONE	DESCRIPTION	NR
1	902943	ASSIEME BASE INTERNA FORATA CESTELLO SHISHA	KIT INTERNAL BASE DRILLED SHISHA BASKET	1
2	902920	DISTANZIALE TEFLON CESTO SHISHA	TEFLON SPACER SHISHA BASKET	2
3	902877	PROTEZIONE TUBO SUPPORTO AMPOLLA Ø 35	AMPOULE SUPPORT TUBE PROTECTION Ø 35	4
4	902876	PROTEZIONE TUBO SUPPORTO AMPOLLA Ø 30	AMPOULE SUPPORT TUBE PROTECTION Ø 30	4
5	902833	SQUADRETTA DISTANZIALE POSTERIORE CESTO SHISHA	SHISHA BASKET REAR SPACER BRACKET	2
6	907878	VITE POLIERS 6X25	LIVES POELIERS 6X25	2
7	902942	SQUADRETTA INTERNO FERMO RETE	INTERNAL BRACKET STOP NET	2
8	904276	GHIERA MOZZO INF. GIRANTE LAV.	FERRULE LOWER HUB WASH ARM	4

GS405SA SHISHA GGM

