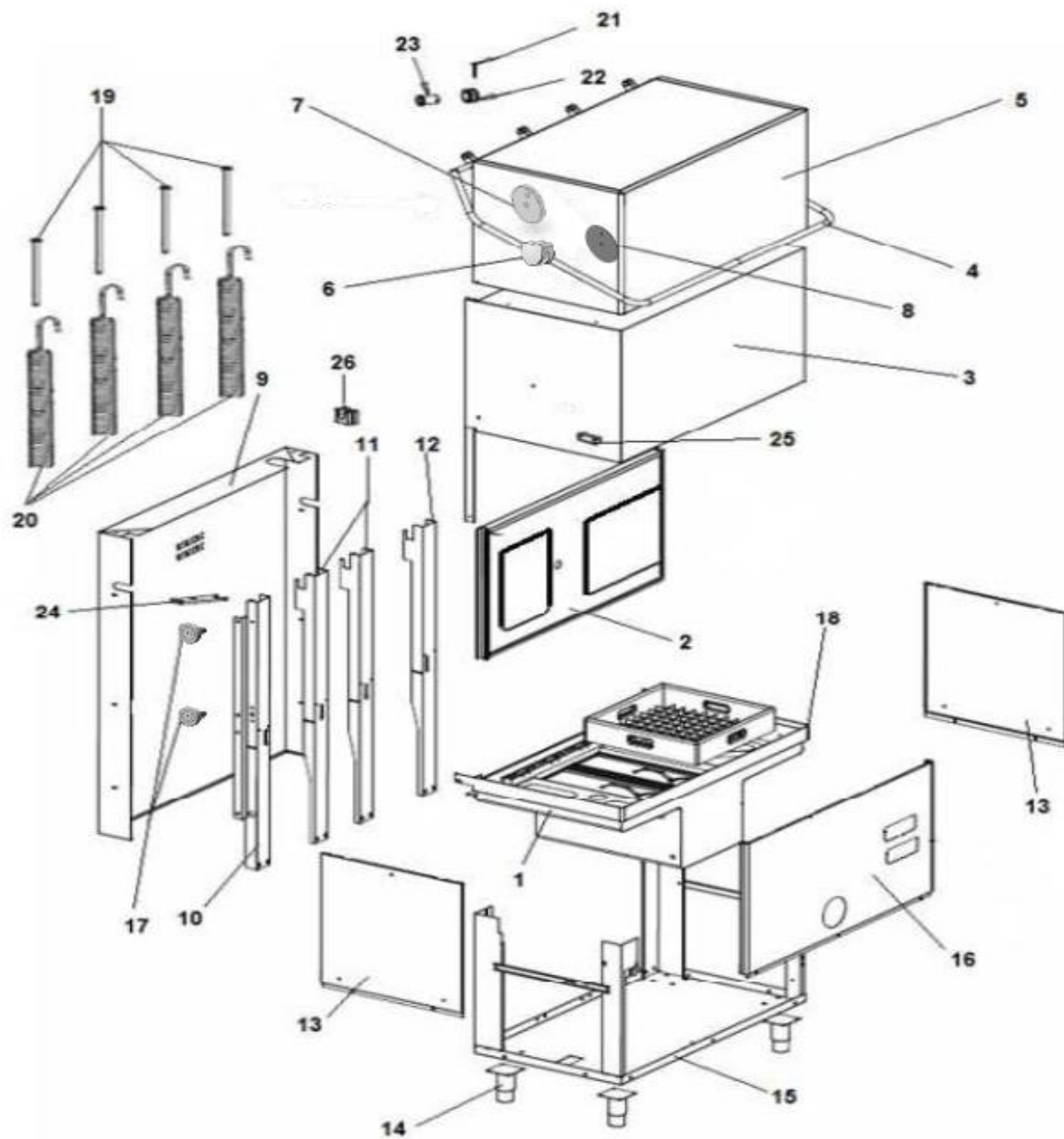


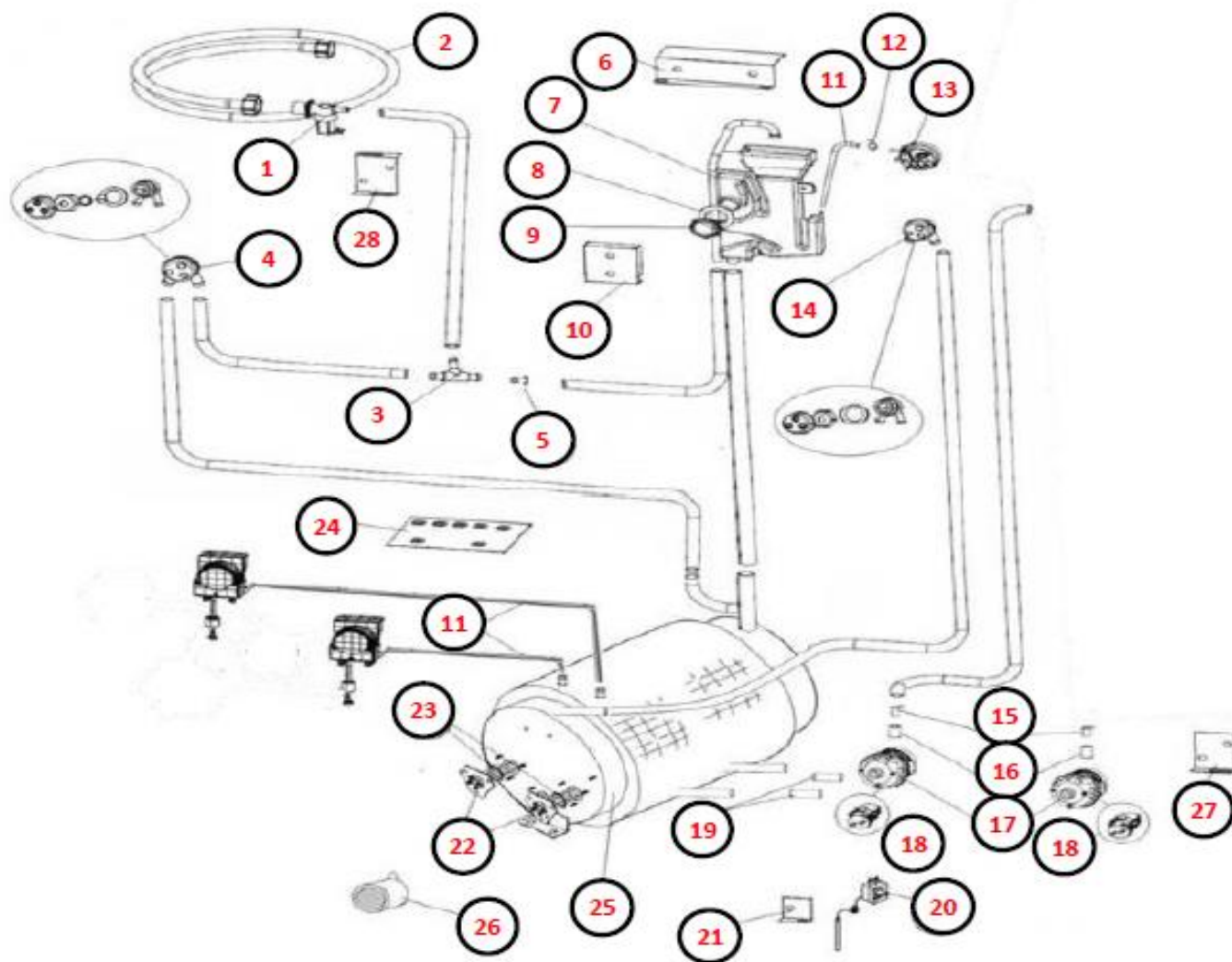
POS	CODE	DESCRIPTION	DESCRIPTION	QTA
1	P1	PANNELLERIA	FRAME	1
2	P2	RISCIACQUO	RINSE	1
3	P2 (2)	RISCIACQUO	RINSE	1
4	P3	LAVAGGIO	WASH	1
5	P3 (2)	LAVAGGIO	WASH	1
6	P4	GIRANTI	ARMS	1
7	P5	CABLAGGIO	WIRING	1
8	P6	DOSATORE	CHEMICAL PUMP	1
9	O3	ADDOLCITORE	SOFTENER	1



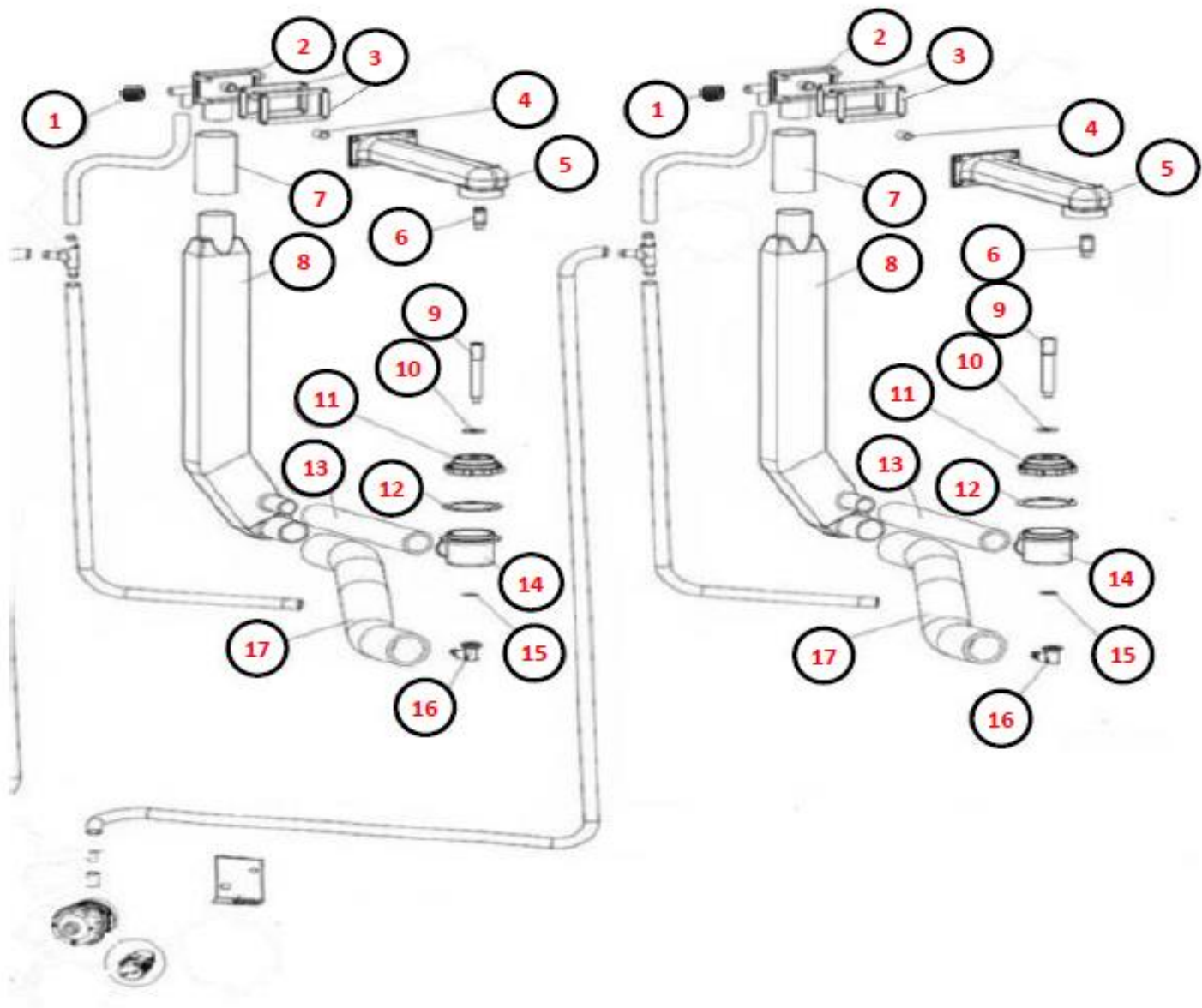
POS	CODE	DESCRIZIONE	DESCRIPTION	NR
1	900221	VASCA N1300 DOPPIA 2015	TANK N1300 DOUBLE 2015	1
2	950961	SCHIENALE N1300 DOPPIA 2015	BACK PANEL N1300 DOUBLE 2015	1
3	900454	CAPOTE N1300 DOPPIA 2015	HOOD N1300 DOUBLE 2015	1
4	900232	MANIGLIONE N1300 DOPPIA 2015 COMPL.	HANDLE N1300 DOUBLE 2015 COMPLETE	1
5	900452	FASCIA COIBENT. CAPOT N1300 DOPPIA 2015	INSULATED BAND N1300 DOUBLE 2015	1
6	902615	SUPPORTO MANIGLIONE NEW CAPOTE	SUPPORT HANDLE NEW HOOD	2
7	901607	DISTANZIALE SUPPORTO MANIGLIONE CAPOTE	HANDLE SUPPORT SPACER HOOD	2
8	901606	GUARN. SUPP. MANIGLIONE CAPOTE	HANDLE-SUPPORT GASKET HOOD TYPE	2
9	900753	PANN. POST CAPOTE DOPPIA 2015	BACK PANEL N1300 DOUBLE 2015	1
10	950992	LONGHERONE SX N1000-N1300 2014	METAL STRUT LH N1000-N1300 2014	1
11	900223	LONGHERONE CENTR. N1300 DOPPIA 2015	CENTRAL METAL STRUT N1300 DOUBLE 2015	2
12	950991	LONGHERONE DX N1000-N1300 2014	METAL STRUT RH N1000-N1300 2014	1
13	908652	PANN. LAT. N1000/N1300 DX-SX	SIDE PANEL N1000/N1300 RH/LH	2
14	TR0863	PIEDE 2" C/P 100X100X2	LEG 2" C/P 100X100X2	4
15	900220	BASAMENTO N1300 DOPPIA 2015	BASEMENT N1300 DOUBLE 2015	1
16	900231	PANN. COM. N1300 DOPPIA EVO2	FRONT PANEL N1300 DOUBLE EVO2	1
17	902421	PULEGGIA SCORRIMENTO CAPOTE 2018	PULLEY SLIDING HOOD 2018	4
18	900228	FASCIA COPERTURA VASCA N1300 DOPPIA 2015	COVERING TANK BAND N1300 DOUBLE 2015	1
19	907315	TIRANTE FILETTATO 10X350MM	THREADED TIE-ROD 10X350MM	4
20	904137	MOLLA SOLLEV. CAPOT E1000/ N1000/N1300	SPRING RAISING CAPOT E1000/ N1000/N1300	4
21	907773	COPIGLIA 2X30	SPLIT PIN 2X30	4
22	906066	ROTELLA SUPP. MOLLA E1000/N1000/N1300	SUPPORT SPRING WHEEL E1000/N1000/N1300	4
23	904796	PERNO ROTELLA SOLLEV. E1000/N1000/N1300	PIVOT FOR RAISING HOOD E1000/N1000/N1300	4
24	954752	PIASTR. LONGHERONE TIRAGGIO MOLLE	METAL STRUT PLATE FOR SPRINGS TIGHTENING	4
25	908706	MAGNETE + CUSTODIA CAPOT/LP57	MAGNET + CONTAIER HOOD TYPE/LP57	1
26	908703	BOCCOLA APPOGGIO MANIGLIONE N1000/N1300	SUPPORT BUSHING N1000/N1300 HANDLE	2



POS	CODE	DESCRIZIONE	DESCRIPTION	NR
1	902390	ELETTROV. 1 VIA Ø10	1-WAY SOLENOID VALVE Ø10	1
2	907347	TUBO CARICO 90° 2000MM S 800 HW	WATER LOAD HOSE 90° 2000MM S 800 HW	1
3	905382	RACC. 3 VIE RISCIAQUO	THREE-WAY CONNECTION RINSE	3
4	TR2434	VALVOLA ANTIRITORNO SEMI-CHIUSA	HALF-CLOSED NON-RETURN VALVE	1
5	905484	GRUPPO REGOLATORE 3.75 LT. GRIGIO	GREY REGULATOR GROUP 3.75 LT	1
6	900026	COPERT. INOX PARASPRUZZI BREAK TANK	STAINLESS-STEEL COVERING SPLASHBACKS, BREAK TANK	1
7	907313	AIR GAP	AIR GAP	1
8	903392	GUARN. AIR GAP	AIR GAP GASKET	1
9	902091	GHIERA AIR GAP	FERRULE, AIR GAP	1
10	900086	COPERTURA INTERNA AIR GAP	INSIDE COVERING AIR GAP	1
11	907279	TUBO SILICONE 4X7	SILICONE HOSE 4X7	1
12	902425	FASCETTA BIFILARE A MOLLA 7.8X8.3	TWO-WIRE SPRING CLAMP 7.8X8.3	2
13	905283	PRESSOSTATO 65/10	PRESSURE SWITCH 65/10	1
14	TR2433	VALVOLA ANTIRITORNO	NON-RETURN VALVE	1
15	901651	PIPETTA POMPA AUMENTO PRESS. INOX	STAINLESS-STEEL PIPE, PRESSURE BOOSTER PUMP	2
16	903756	TRONCHETTO MAND. N45/N50/N90/N700FH	INLET SOCKET N45/N50/N90/N700FH	2
17	902235	POMPA 0.30KW 230/1/50 TEFLON DX	PUMP 0.30KW 230/1/50 TEFLON RH	2
18	901744	CONDENSATORE 6,3 µf	CONDENSER 6,3 µf	2
19	903757	MANICOTTO MANDATA MODELLO B/PS	INLET SLEEVE MODEL B/PS	2
20	907124	TERMOSTATO VASCA 30/90 BULBO 3/8"	TANK THERMOSTAT 30/90 BULB 3/8"	1
21	900187	SQUADRETTA 1 TERMOSTATO PASTIGLIA 2015	BRACKET 1 KLIXON THERMOSTAT 2015	1
22	TR0342	RESIST. BOILER 10KW 230V +OR	BOILER HEATING ELEMENT 10KW 230V +OR	2
23	TR0115	OR RES. FLANG. 9/10/12/14 KW	OR FLANGE HEATING ELEMENT 9/10/12/14 KW	2
24	901428	SUPP. DOSATORI CAPOTE DOPPIA	CHEMICAL-PUMP SUPPORT N1300 DOUBLE	1
25	901625	BOILER CAPOTE DOPPIA	BOILER N1300 DOUBLE	1
26	901812	COPRIRES. PLAS. BOILER 10KW	PLASTIC HEATING-ELEMENT COVERING, BOILER 10KW	2
27	TR3572	SUPP. POMPA DOPPIO RISCIAQUO	PUMP SUPPORT PRE RINSE	1
28	903587	SQUAD. SUPPORTO ELETTROVALVOLA ANTERIORE	SUPPORT BRACKET FOR FRONT SOLENOID VALVE	2



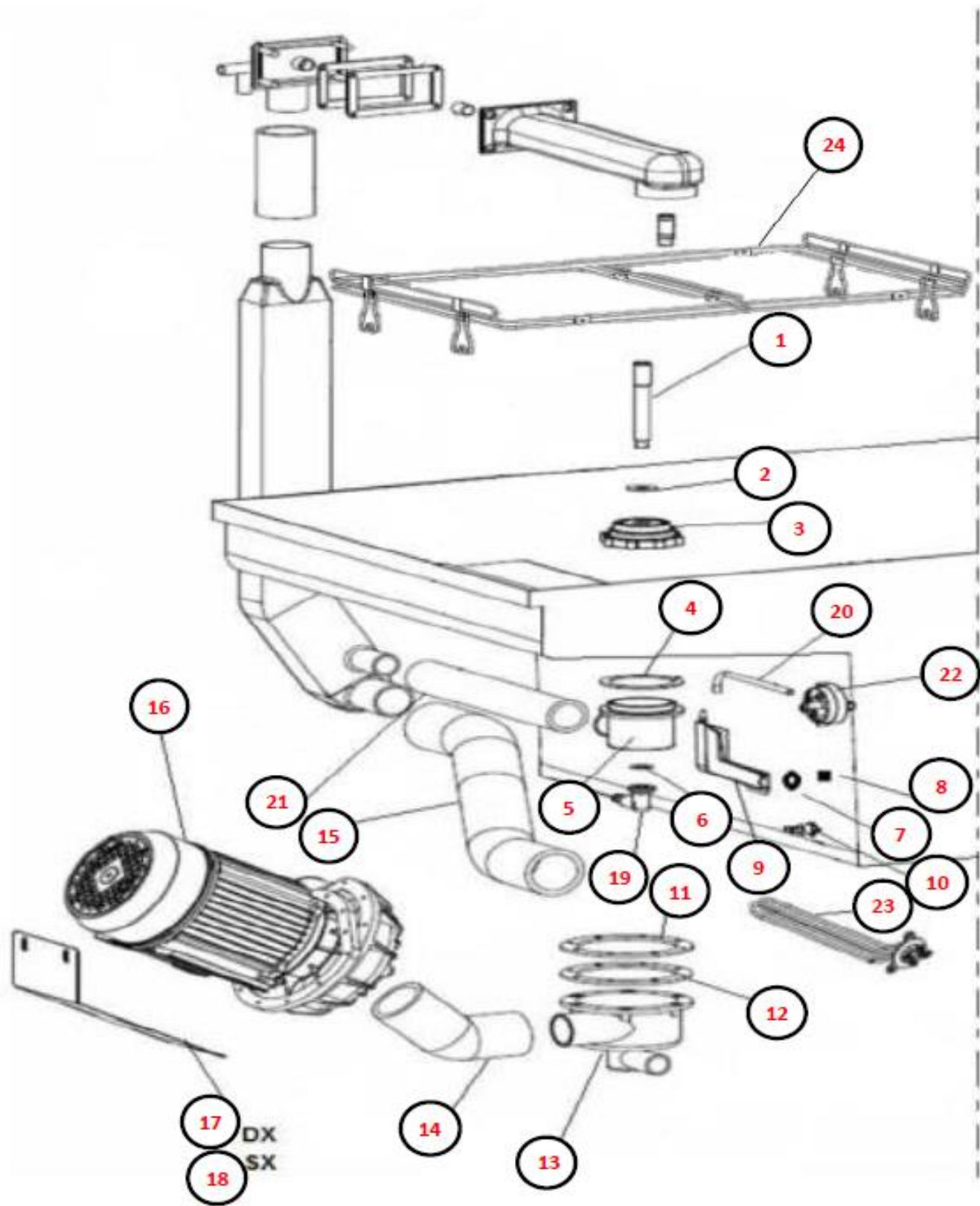




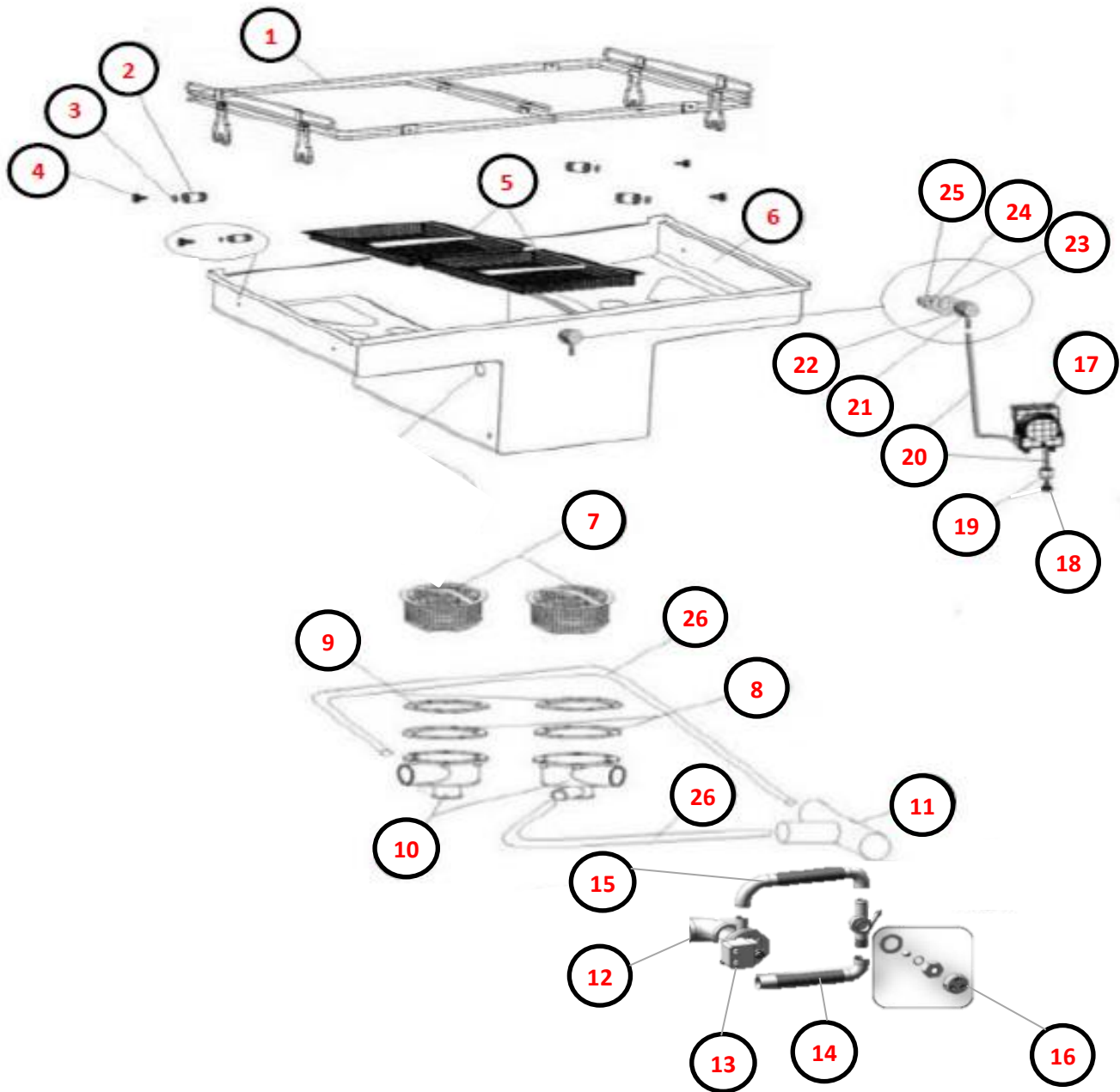


POS	CODE	DESCRIZIONE	DESCRIPTION	NR
1	904753	PERNO LAV. INF. N1300	LOWER-WASH-ARM PIVOT N1300	2
2	906001	RONDELLA RIDUZ. 42X17X1 N1300	WASHER RIDUCTION 42X17X1 N1300	2
3	900050	GHIERA MOPLEN MOZZO INFERIORE LAV. N1300	MOPLEN FERRULE, LOWER WASH HUB N1300	2
4	TR2448	GUARN. 2" N1300-LP-T-N SP.2MM	GASKET 2" N1300-LP-RACK/FLIGHT CONVEYOR 2MM	2
5	900049	MOZZO INF. LAV. N1300_N1300S	LOWER WASH HUB N1300_N1300S	2
6	903351	GUARN. FIBRA RACC. RISC. SUP.	FIBRE GASKET UPPER RINSE JUNCTION	2
7	906036	GUARN. Ø16 P. SUGHERO	GASKET Ø16 CORK	1
8	902111	GHIERA 3/8" PPL	PLASTIC FERRULE 3/8"	1
9	907254	TRAPPOLA ARIA N45-N50-N90-N1000-N1300	AIR TRAP N45-N50-N90-N1000-N1300	1
10	907243	TERMOSTATO SICUR. 95° PASTIGLIA	SAFETY THERMOSTAT 95° PADDLE	1
11	905378	GUARN. POZZETTO MAGGIORATO	INCREASED PIT GASKET	2
12	905238	FLANGIA POZZETTO MAGGIORATO ASP./SCAR.	FLANGE ASPIRATION/DRAIN SOAKAWAY	2
13	905237	POZZ. ASPIRAZ. MAGGIORATO ASP. Ø55	INCREASED SUMP Ø55	2
14	903699	MANICOTTO ASP. N1300 2014	ASPIRATION SLEEVE N1300 2014	2
15	907403	MANICOTTO MANDATA LAVAGGIO N1300 DOPPIA	INLET WASH SLEEVE N1300 DOUBLE	2
16	902286	POMPA 1.1KW 400/3/50 N1300 DX 2014	PUMP 1.1KW 400/3/50 N1300 RH 2014	1
17	906363	SUPP. POMPA NE1300 ECO 2014 VASCA SALDATA	PUMP SUPPORT NE1000 ECO 2014 MOULDED TANK	1
18	909418	SUPP. POMPA DX N1300 DOPPIA	PUMP SUPPORT RH N1300 DOUBLE	1
19	908101	RACC. GOMITO 1/4" + RACC. D.12	ELBOW CONNECTION 1/4" + CONNECTION D.12	2
20	907279	TUBO SILICONE 4X7	SILICONE HOSE 4X7	1
21	908712	MANICOTTO MANDATA INF. N1000/N1300	INLET SLEEVE LOWER N1000/N1300	2
22	905276	PRESSOSTATO 30/160 N1300/LP/LPN	PRESSURE SWITCH 30/160 N1300/LP/LPN	1
23	905520	RESIST. BOILER 7.5KW 230V + OR	BOILER HEATING ELEMENT 7.5KW 230V + OR	1
24	902220	TELAIO PORTA CESTELLO CAPOT DOPPIA	BASKET-SUPPORT FRAME N1300 DOUBLE	1

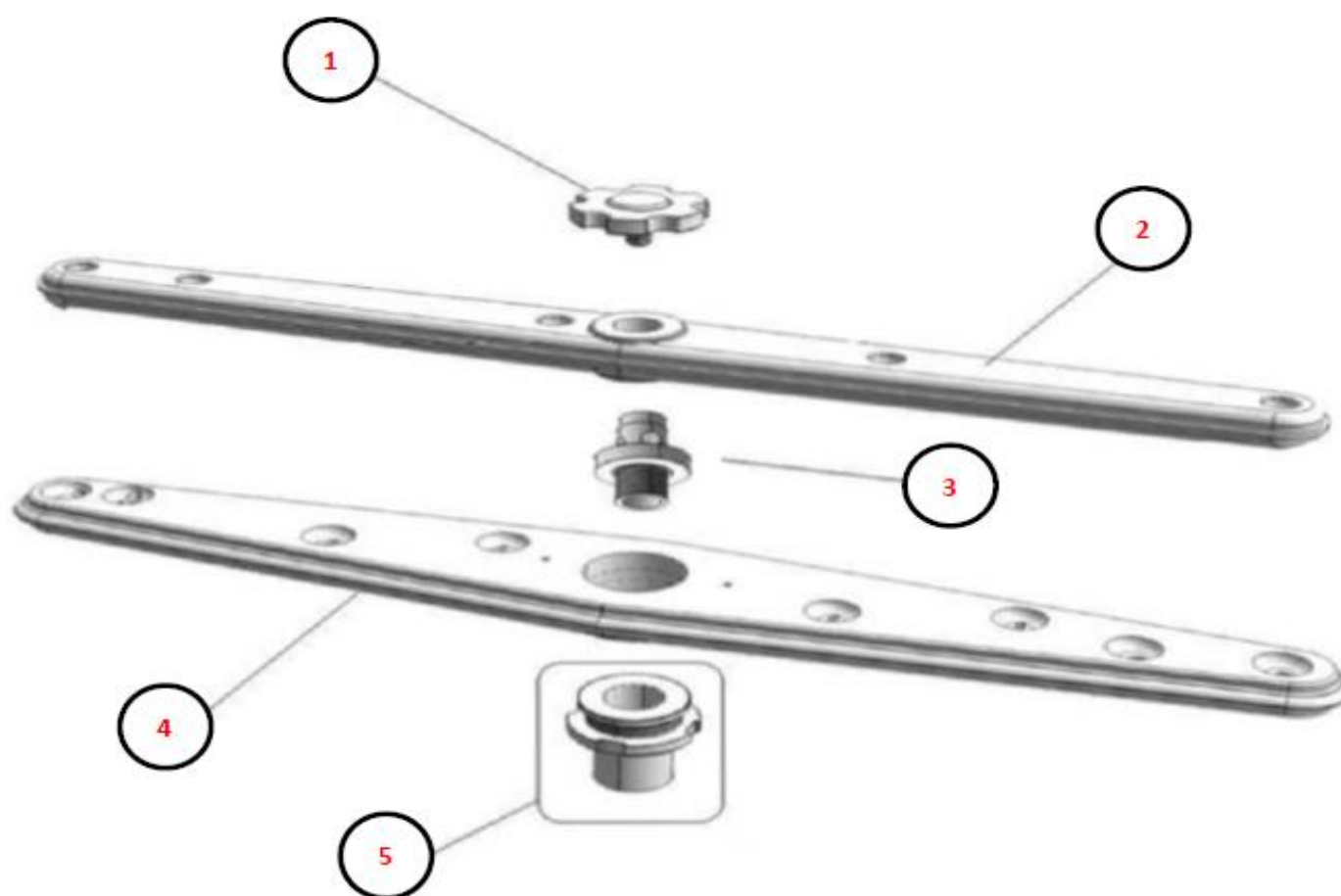




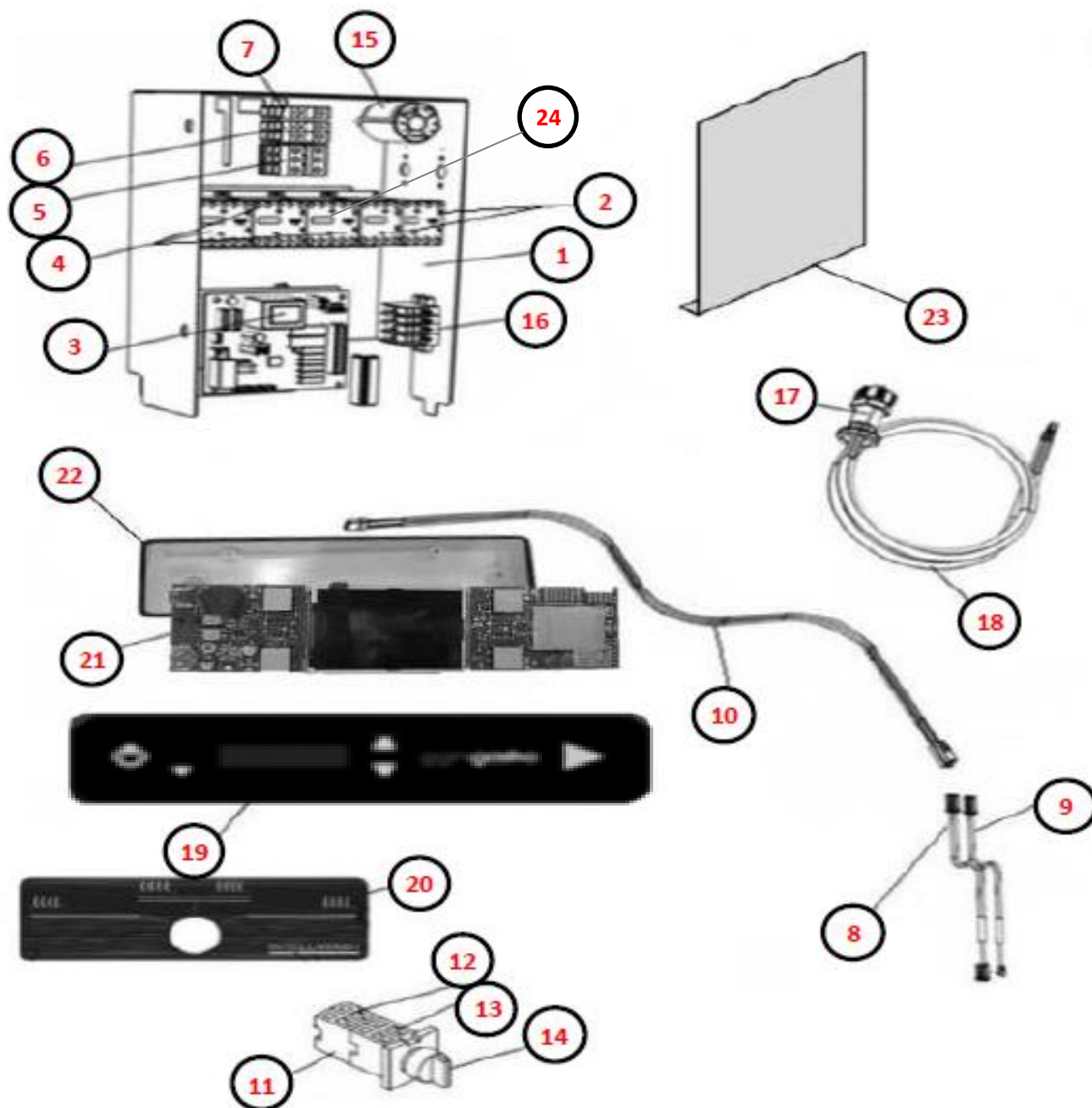
POS	CODE	DESCRIZIONE	DESCRIPTION	NR
1	902220	TELAIO PORTA CESTELLO CAPOT DOPPIA	BASKET-SUPPORT FRAME N1300 DOUBLE	1
2	903444	PERNO BLOCCA PORTACESTELLO INOX	STAINLESS-STEEL PIVOT TO BLOCK BASKET HOLDER	4
3	904391	OR RES. VASCA / PERNO BLOCCA CESTELLO	OR TANK/LOCK BASKET PIVOT HEATING ELEMENT	4
4	907731	VITE TE 6X12	HEXAGON-HEAD SCREW 6X12	4
5	900233	FILTRO SUPERF. N1300 DOPPIA 2015	SURFACE FILTER N1300 DOUBLE 2015	2
6	900221	VASCA N1300 DOPPIA 2015	TANK N1300 DOUBLE 2015	1
7	904898	FILTRO SENZA CILINDRO INOX Ø98MM	FILTER WITHOUT STAINLESS-STEEL BARREL Ø98MM	2
8	905378	GUARN. POZZETTO MAGGIORATO	INCREASED PIT GASKET	2
9	905238	FLANGIA POZZETTO MAGGIORATO ASP./SCAR.	FLANGE ASPIRATION/DRAIN SOAKAWAY	2
10	905237	POZZ. ASPIRAZ. MAGGIORATO ASP. Ø55	INCREASED SUMP Ø55	2
11	905382	RACC. 3 VIE RISCIAQUO	THREE-WAY CONNECTION RINSE	1
12	903691	MANICOTTO POMPA SCARICO N45-N50	DRAIN PUMP SLEEVE N45-N50	1
13	902332	POMPA SCARICO MAGNETICA 220/240V 50HZ 40W	MAGNETIC DRAIN PUMP 220/240V 50HZ 40W	1
14	907439	TUBO SCARICO Ø19 90° 2000MM PS + CURVA	DRAIN HOSE Ø19 90° 2000MM PS + BLEND	1
15	907445	TUBO SCARICO Ø19 90° 760MM PS	DRAIN HOSE Ø19 90° 760MM PS	1
16	TR2433	VALVOLA ANTIRITORNO	NON-RETURN VALVE	1
17	902053	DOSATORE DETERS. PERIST. SEKO SENZA REG.	PERISTALTIC DETERGENT PUMP WITHOUT REGULATOR	1
18	902569	FILTRO DOSATORE	DOSING UNIT FILTER	1
19	906620	PESO TUBETTO DET./BRILL.	WEIGHT RINSE PRODUCT/ETERGENT HOSE	1
20	907278	TUBO CRYSTAL ROSSO 4X7	TRASPARENT-RED HOSE 4X7	2
21	906708	RACC. INOX ENTR. DETERSIVO VASCA ANT.	STAINLESS-STEEL FRONT INLET CONNECTION FOR DETERGENT IN TANK	1
22	903253	GUARN. RACC. DOS/SFIATO PS	GASKET DOSING UNIT/AIR VENT JUNCTION	1
23	903412	GUARN. FIBRA FORO POMPA DETERSIVO	FIBRE GASKET HOLE DETERGENT PUMP	1
24	906055	RONDELLA Ø10 P.	WASHER Ø10 P.	1
25	902029	DADO ATB 10	NUT ATB 10	1
26	903728	MANICOTTO MANDATA SUP. S28	UPPER INLET SLEEVE S28	2





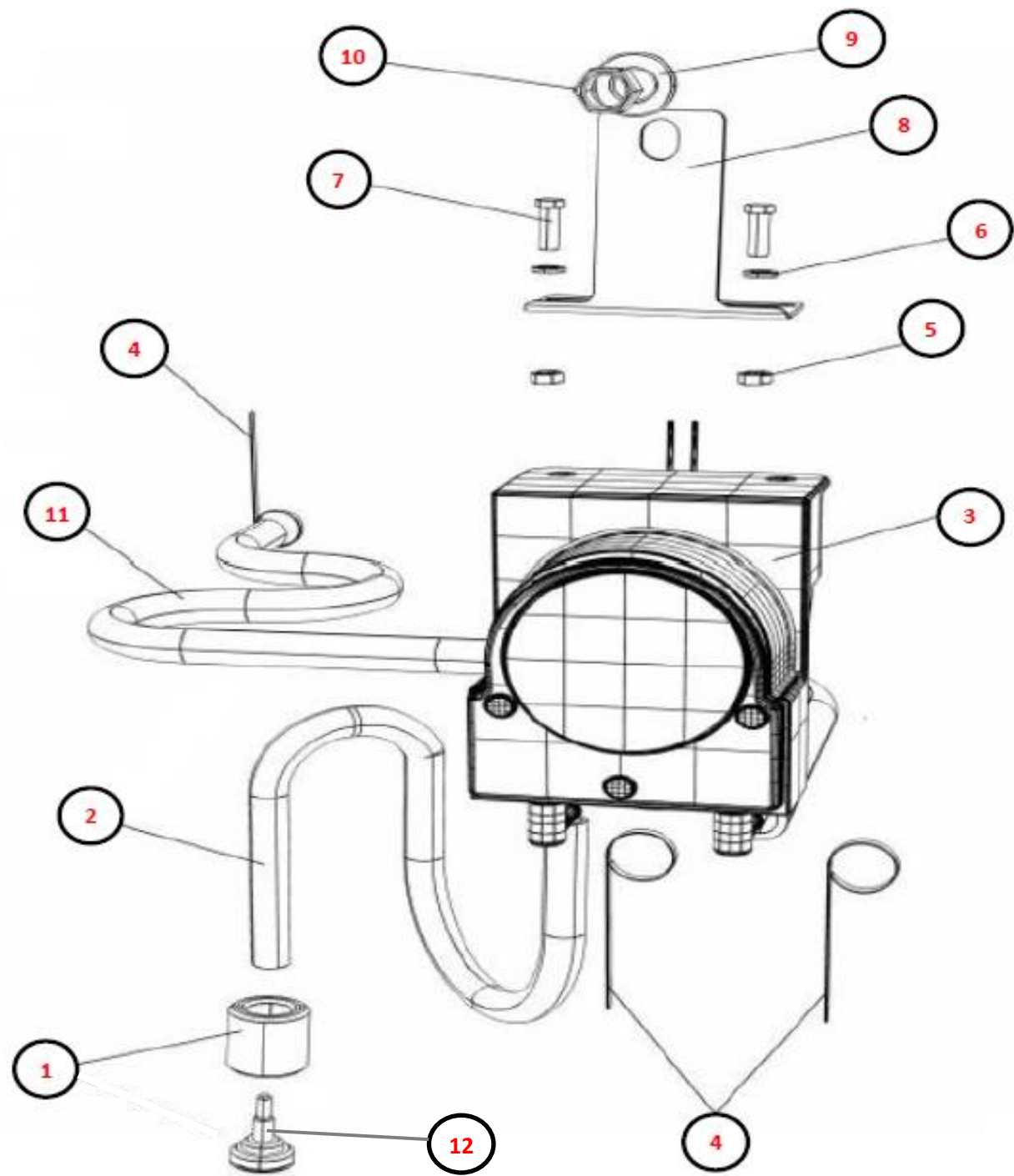


POS	CODE	DESCRIZIONE	DESCRIPTION	NR
1	900867	CASSETTA ELETTRICA N1300 DOPPIA	ELECTRICAL BOX N1300 DOUBLE	1
2	905476	RELE 230-16A	RELAY 230-16A	2
3	907398	SCHEDA EVO2/3 BASE ELCA 12 RELE	BASE BOARD EVO2/3 12 RELAY	1
4	907190	TELERUTTORE 9A 230V CON ATTUATORE LOVATO	CONTACTOR 9A WITH ACTUATOR LOVATO	3
5	TR3178	MORSETTO 3P 16MM PASSANTE UNIVERSALE	CLAMP 3P 16MM UNIVERSAL THROUGH	2
6	904166	MORSETTO 1P 16MM	CLAMP 1P 16MM	1
7	904163	MORSETTO 1P 16MM TERRA	CLAMP 1P 16MM EARTH	1
8	900541	SONDA NTC A BULBO EVO2/3 ELCA	BULB PROBE NTC EVO2/3 ELCA	1
9	900543	SONDA NTC AD OCCHIELLO EVO 2/3 ELCA	PROBE EYE NTC EVO2/3 ELCA	1
10	900797	CAVO TELEFONICO SCHEDA EVO2/3 ELCA L=900MM	CONNECTION CABLE EVO2 BOARDS ELCA L=900MM	1
11	909424	SUPPORTO FISSAGGIO PLASTICA	PLASTIC FIXING SUPPORT	1
12	909443	BLOCCHETTO CONTATTI 1NA	CONTACT SMALL BLOCK 1NA	2
13	909444	BLOCCHETTO CONTATTI 1NC	CONTACT SMALL BLOCK 1NC	2
14	909427	SEL. LUM. LEVA BIANCO 3 POS	WHITE-LIGHT LEVER SELECTOR 3 POS	1
15	902107	FILTRO ANTIDISTURBO TRIFASE	THREE-PHASED ANTINOISE FILTER	1
16	904167	MORSETTO QUADRIPOLORE CON SPALLA	4-POLE CLAMP WITH BRACKET	1
17	TR0139	PRESSACAVO PG 9	CABLE GLAD PG 9	1
18	901269	CAVO ALIMENTAZ. 5x6x3.500 H07	POWER-SOURCE CABLE 5x6x3.500 H07	1
19	902282	TARGA CAPOTE-LP EVO3 NEUTRA NERA	PLATE HOOD-TYPE EVO3 NEUTRAL BLACK	1
20	901436	TARGA INTELLIWASH CAPOT DOPPIA	INTELLIWASH PLATE N1300 DOUBLE	1
21	907401	SCHEDA FRONTALE EVO3 12 RELE	FRONT BOARD EVO3 12 RELAYS	1
22	900800	GUSCIO ANTIPOLVERE PER SCHEDA FRONTALE EVO2/3 ELCA	DUST SHELL FOR FRONT BOARD EVO2/3 ELCA	1
23	901447	COPERCHIO CASS. ELET. CAPOT UNIFICATA	UNIFIED ELECTRIC-BOX CAP HOOD TYPE	1
24	TR0323	TELERUTTORE 18A 230V	CONTACTOR 18A 230V	2





POS	CODE	DESCRIZIONE	DESCRIPTION	NR
1	906620	PESO TUBETTO DET./BRILL.	WEIGHT RINSE PRODUCT/ETERGENT HOSE	2
2	902046	TUBO CRYSTAL TRASP. 4X7	TRASPARENT HOSE 4X7	2
3	902095	DOSATORE BRILL. PERIST. SEKO SENZA REG.	PERISTALTIC RINSE-PRODUCT PUMP WITHOUT REGULATOR	2
4	902427	FASCETTA NYLON 135X2.5	NYLON HOSE CLAMP 135X2.5	6
5	901990	DADO 4	NUT 4	4
6	905865	RONDELLA Ø4 D.	WASHER Ø4 D.	4
7	907855	VITE TPS C.4X12	FAST TPS C.4X12	4
8	952818	SUPP. DOS. PERISTALTICO SINGOLO	SINGLE PERISTALTIC DOSING PUMP SUPPORT	2
9	905930	RONDELLA Ø6 G.	WASHER Ø6 G.	2
10	902010	DADO 6	NUT 6	2
11	907279	TUBO SILICONE 4X7	SILICONE HOSE 4X7	2
12	902569	FILTRO DOSATORE	DOSING UNIT FILTER	2



POS	CODE	DESCRIZIONE	DESCRIPTION	NR
1	906418	TAPPO CONTENITORE SALE	SALT-CONTAINER CAP	1
2	902830	GHIERA CONTENITORE SALE	FERRULE, SALT CONTAINER	1
3	903340	GUARN. CONTENITORE SALE	SALT CONTAINER GASKET	1
4	901794	CONTENITORE SALE CON SENSORE COMPLETO	COMPLETE SALT CONTAINER WITH SENSOR	1
5	903245	GRUPPO VALVOLA RISC. A FREDDO	COLD RINSE VALVE GROUP	1
6	902390	ELETTROV. 1 VIA Ø10	1-WAY SOLENOID VALVE Ø10	1
7	905382	RACC. 3 VIE RISCIAQUO	THREE-WAY CONNECTION RINSE	1
8	150801	ADDOLCITORE D'ACQUA DVA LT 5	WATER SOFTENER DVA LT 5	1
9	906080	RUBINETTO DEP. 3/4"	SOFTENER KNOB 3/4"	1
10	909374	VALVOLA DEVIATRICE 3/2	DIVERTER VALVE 3/2	1

