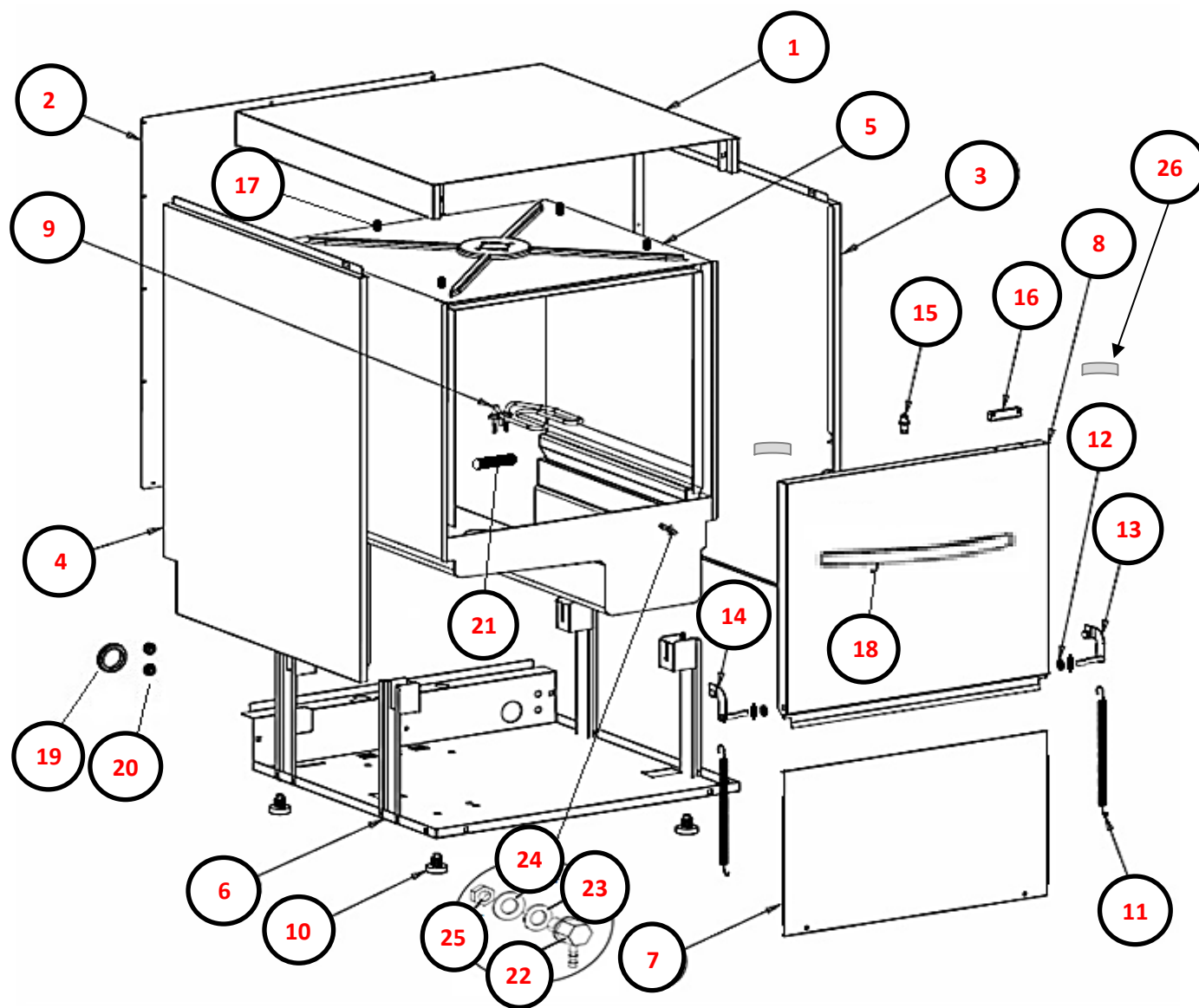


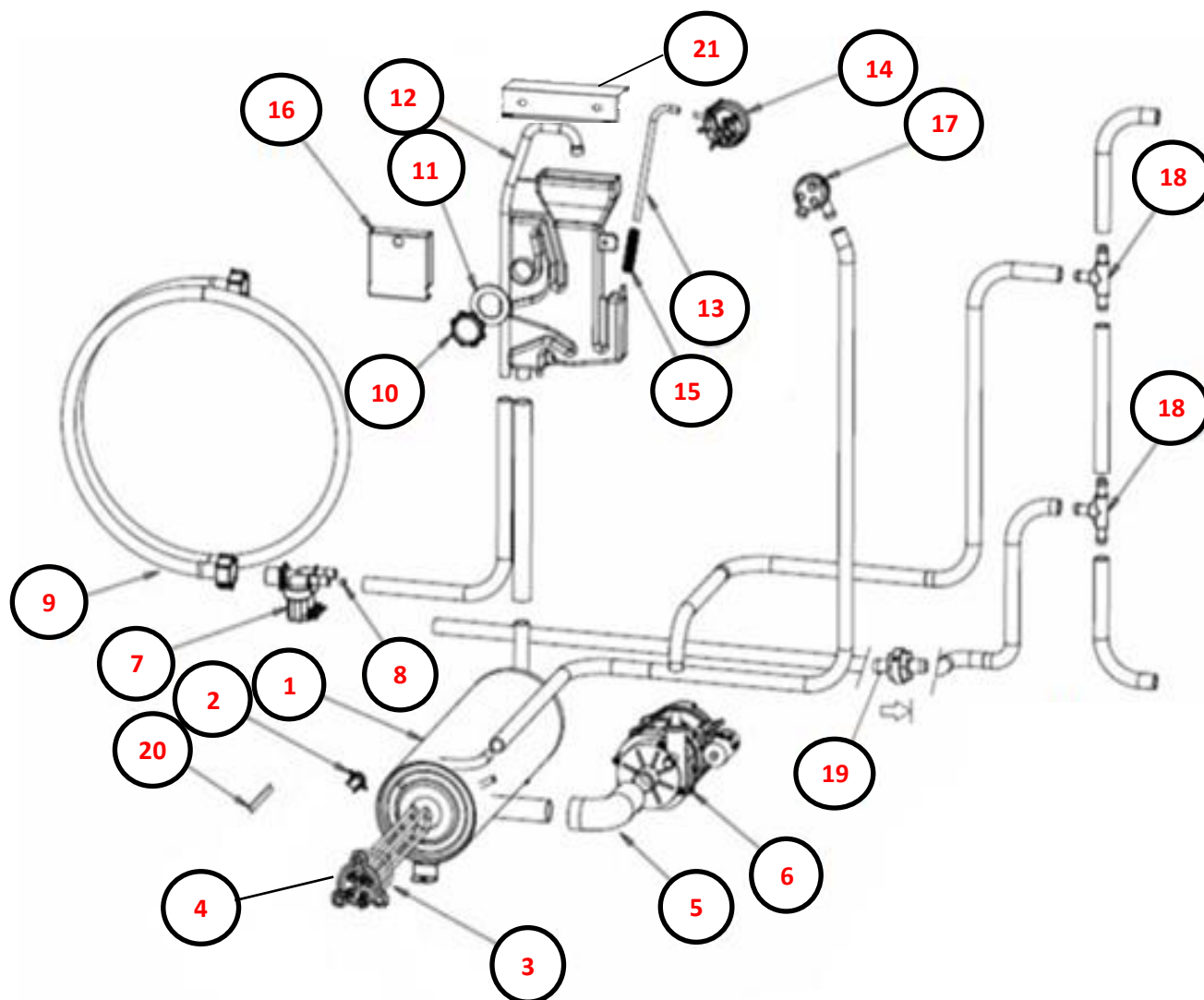
POS	CODE	DESCRIPTION	DESCRIPTION	QTA
1	P1	PANNELLERIA	FRAME	1
2	P2	RISCIACQUO	RINSE	1
3	P3	LAVAGGIO	WASH	1
4	P4	GIRANTI	ARMS	1
5	P5	CABLAGGIO	WIRING	1
6	P6	DOSATORE	CHEMICAL PUMP	1
7	O3 (2)	ADDOLCITORE	SOFTENER	1
8	O4 (2)	POMPA SCARICO	DRAIN PUMP	1



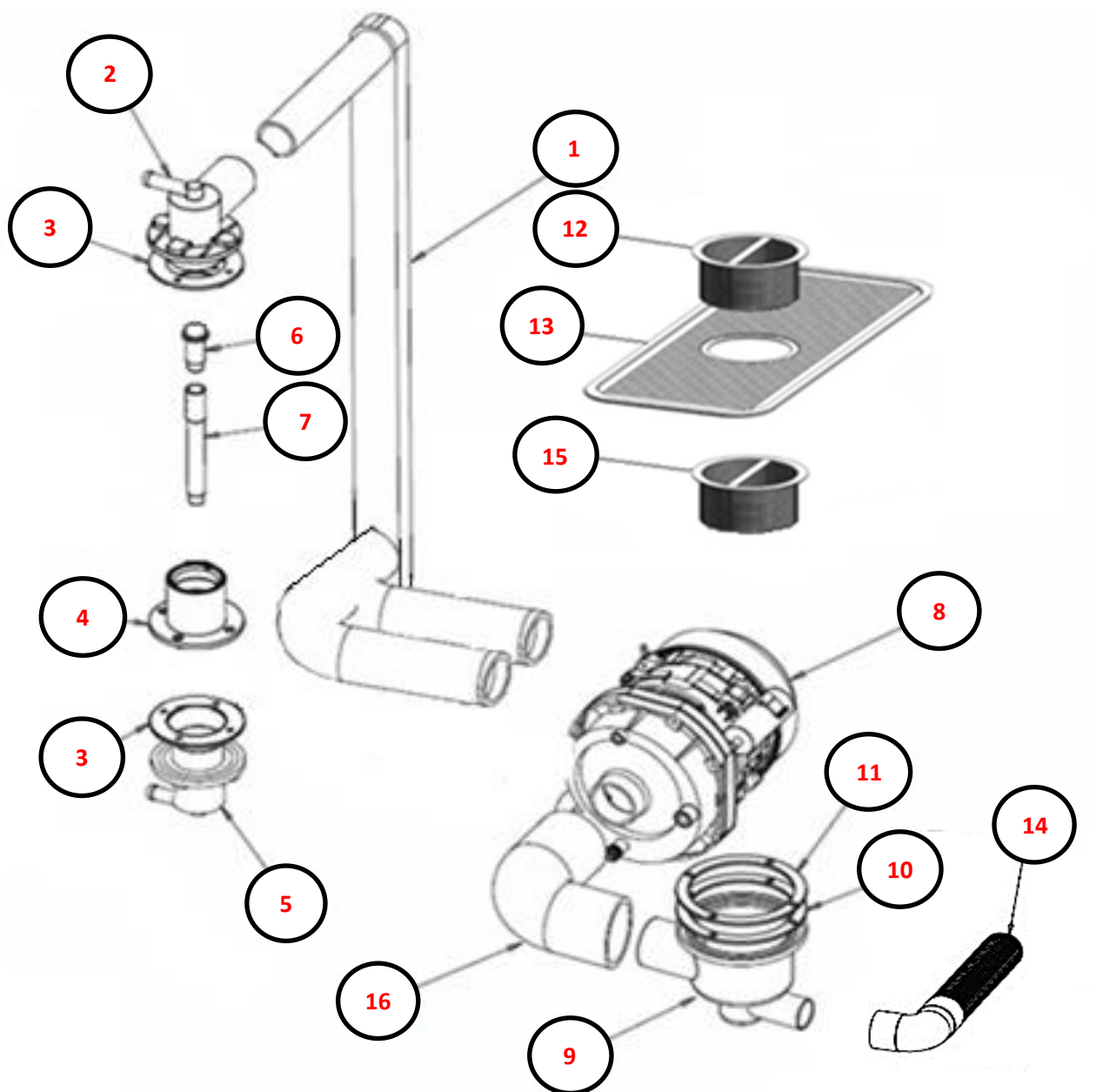
POS	CODE	DESCRIZIONE	DESCRIPTION	NR
1	902161	PANNELLO SUPERIORE N40 IMPERIAL	UPPER PANEL N40 IMPERIAL	1
2	902160	PANNELLO POSTERIORE N40 IMPERIAL	BACK PANEL N40 IMPERIAL	1
3	902158	PANNELLO LATERALE DX N40 IMPERIAL	SIDE PANEL RH N40 IMPERIAL	1
4	902159	PANNELLO LATERALE SX N40 IMPERIAL	SIDE PANEL LH N40 IMPERIAL	1
5	901942	VASCA N40	TANK N40	1
6	902476	BASAMENTO N40 IMPERIAL	BASEMENT N40 IMPERIAL	1
7	902556	PANNELLO INFERIORE N40 IMPERIAL	LOWER PANEL N40 IMPERIAL	1
8	901582	PORTA N40 STANDARD COMPLETA	COMPLETE STANDARD DOOR N40	1
9	905687	RESIST. 1500 W 230V - N40	HEATING ELEMENT 1500 W 230V - N40	1
10	905000	PIEDINO LAVAGGIO PVC NEW	FEET, WASH PVC NEW	4
11	908014	MOLLA PORTA N45/N50/N90 2017	SPRING DOOR N45/N50/N90 2017	2
12	908146	GUARN. CERNIERA N45/N50/N90 VULKOLLAN	HINGE GASKET N45/N50/N90 VULKOLLAN	4
13	901246	CERNIERA PORTA N45-N50 SX CON ROTELLA	LH DOOR HINGE N45-N50 + 1 WHEEL	1
14	901247	CERNIERA PORTA N45-N50 SX CON 2 ROTELLE	LH DOOR HINGE N45-N50 + 2 WHEELS	1
15	906121	SCROCCHETTO CON ROTELLA + DADO	LATCH WITH WHEEL + NUT	1
16	903651	MAGNETE + CUSTODIA FRONTALI	MAGNET + CONTAINER DISHWASHER	1
17	902132	GHIERA FISSAGGIO PANNELLO SUPERIORE	FASTENING FERRULE, UPPER PANEL	2
18	906215	MANIGLIA ALLUMINIO SATINATA PORTA 2019 315mm	HANDLE ALUMINIUM SATINATED DOOR 2019 315mm	1
19	904721	PASSACAVO TUBO SCARICO LAVAGGIO	CABLE BUSHING DRAIN HOSE	1
20	904723	PASSACAVO TUBO BRILL./DET.	CABLE BUSHING RINSE PRODUCT/DETERGENT HOSE	2
21	904958	PROT. RESISTENZA VASCA IN SILICONE	TANK-HEATING ELEMENT PROTECTION SILICONE	2
22	906708	RACC. INOX ENTR. DETERSIVO VASCA ANT.	STAINLESS-STEEL FRONT INLET CONNECTION FOR DETERGENT IN TANK	1
23	903253	GUARN. RACC. DOS/SFIATO PS	GASKET DOSING UNIT/AIR VENT JUNCTION	2
24	906010	RONDELLA Ø5 P.	WASHER Ø5 P.	1
25	902030	DADO ATB 5	NUT ATB 5	1
26	952234	PIASTRINA RINFORZO PORTA	DOOR REINFORCEMENT PLATE	2



POS	CODE	DESCRIZIONE	DESCRIPTION	NR
1	902479	BOILER N40 HY-NGR	BOILER N40 HY-NRG	1
2	907297	TERMOSTATO SICUR. 110° PASTIGLIA	SAFETY THERMOSTAT 110° PADDLE	1
3	907981	OR RES. 2.6/4.5/6/8 KW	OR HEATING ELEMENT 2.6/4.5/6/8 KW	1
4	905560	RESIST. BOILER/VASCA D.R. 4.5KW 230V +OR	HEATING ELEMENT BOILER/TANK D.R. 4.5KW 230V +OR	1
5	903713	MANICOTTO ASP. POMPA RISCIAQUO - PS 020	ASPIRATION SLEEVE RINSE PUMP - PS 020	1
6	902241	POMPA RISCIAQUO CRC-R DX	RINSE PUMP CRC-R RH	1
7	902410	ELETTROV. 3 VIE Ø10 CON RIDUTTORE ROSSO	3-WAYS SOLENOID VALVE Ø10 WITH RED REDUCER	1
8	905484	GRUPPO REGOLATORE 3.75 LT. GRIGIO	GREY REGULATOR GROUP 3.75 LT	1
9	907348	TUBO CARICO 90° 1500MM S 800 HW	WATER LOAD HOSE 90° 1500MM S 800 HW	1
10	902091	GHIERA AIR GAP	FERRULE, AIR GAP	1
11	903392	GUARN. AIR GAP	AIR GAP GASKET	1
12	907313	AIR GAP	AIR GAP	1
13	907279	TUBO SILICONE 4X7	SILICONE HOSE 4X7	1
14	905283	PRESSOSTATO 65/10	PRESSURE SWITCH 65/10	1
15	904131	MOLLA PROTEZIONE TUBETTO	SPRING PROTECTING TUBE	1
16	900086	COPERTURA INTERNA AIR GAP	INSIDE COVERING AIR GAP	1
17	TR2434	VALVOLA ANTIRITORNO SEMI-CHIUSA	HALF-CLOSED NON-RETURN VALVE	1
18	905382	RACC. 3 VIE RISCIAQUO	THREE-WAY CONNECTION RINSE	2
19	903245	GRUPPO VALVOLA RISC. A FREDDO	COLD RINSE VALVE GROUP	1
20	904075	LAMELLA OTTONE	BRASS PLATE	1
21	900537	PARASPRUZZI BREAK TANK SERIE E	SPLASHBACKS BREAK TANK MODEL E	1

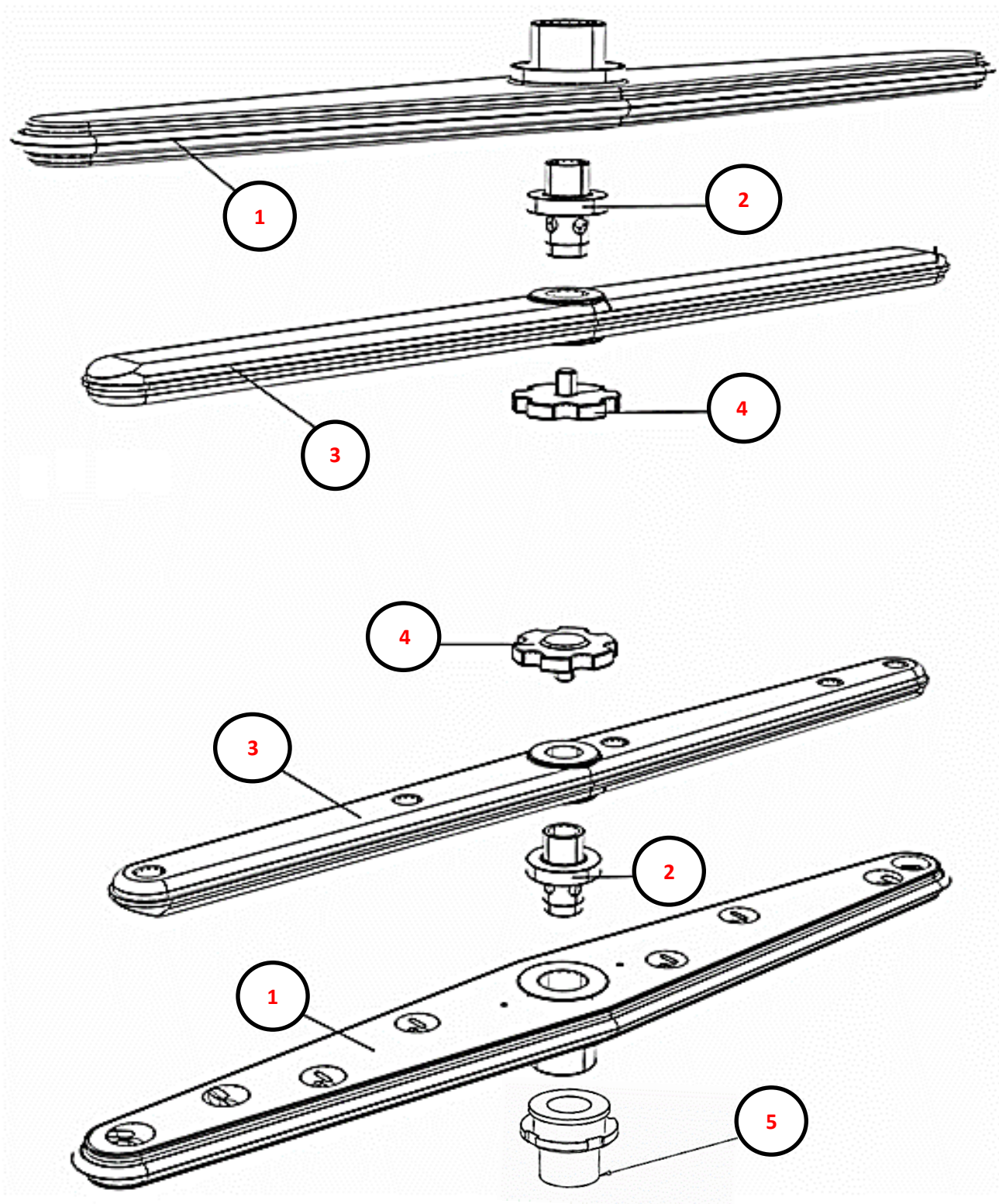


POS	CODE	DESCRIZIONE	DESCRIPTION	NR
1	901633	MANICOTTO MANDATA LAVAGGIO N40	INLET WASH SLEEVE N40	1
2	900033	MOZZO SUPERIORE LAVAGGIO/RISCIACQUO NT	UPPER WASH/RINSE HUB	1
3	903330	GUARN. CONTROFLANGIA MOZZO SUP.	UPPER COUNTERFLANGE HUB GASKET	2
4	905388	RACC. INF. LAV. E45/E50/N45/N50/N700/N1000	LOWER RINSE CONNECTION E45/E50/N45/N50/N700/N1000	1
5	902268	MOZZO INF. LAV. RISC. SERIE S/E	LOWER WASH/RINSE HUB MODEL S/E	1
6	904765	PERNO GIRANTE LAV. SUP. INF. 32MM	UPPER/LOWER PIVOT WASH ARM 32MM	1
7	908734	PERNO LAV. INF. N45/N50/N1000	LOWER-WASH-ARM PIVOT N45/N50/N1000	1
8	902261	POMPA 0.37KW 230/1/50 N27-V40-R29	PUMP 0.37KW 230/1/50 N27-V40-R29	1
9	905236	POZZ. ASPIRAZ. MAGGIORATO ASP. Ø45	INCREASED SUMP Ø45	1
10	905378	GUARN. POZZETTO MAGGIORATO	INCREASED PIT GASKET	1
11	905238	FLANGIA POZZETTO MAGGIORATO ASP./SCAR.	FLANGE ASPIRATION/DRAIN SOAKAWAY	1
12	904898	FILTRO SENZA CILINDRO INOX Ø98MM	FILTER WITHOUT STAINLESS-STEEL BARREL Ø98MM	1
13	901967	FILTRO SUPERFICE N40	SURFACE FILTER N40	1
14	907439	TUBO SCARICO Ø19 90° 2000MM PS + CURVA	DRAIN HOSE Ø19 90° 2000MM PS + BLEND	1
15	902222	FILTRO POZZETTO N40	PIT FILTER N40	1
16	901632	MANICOTTO ASP. N40	ASPIRATION SLEEVE N40	1

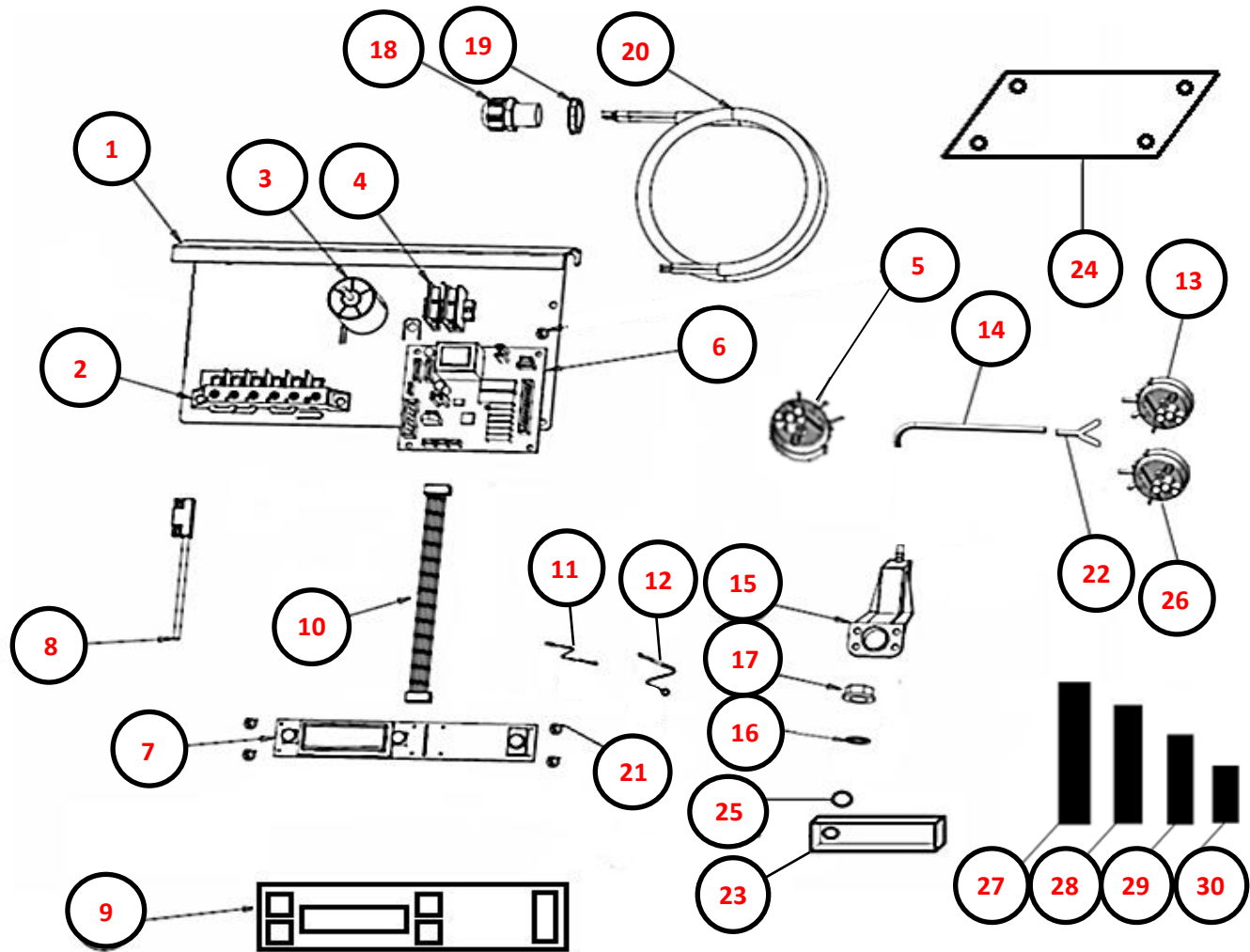




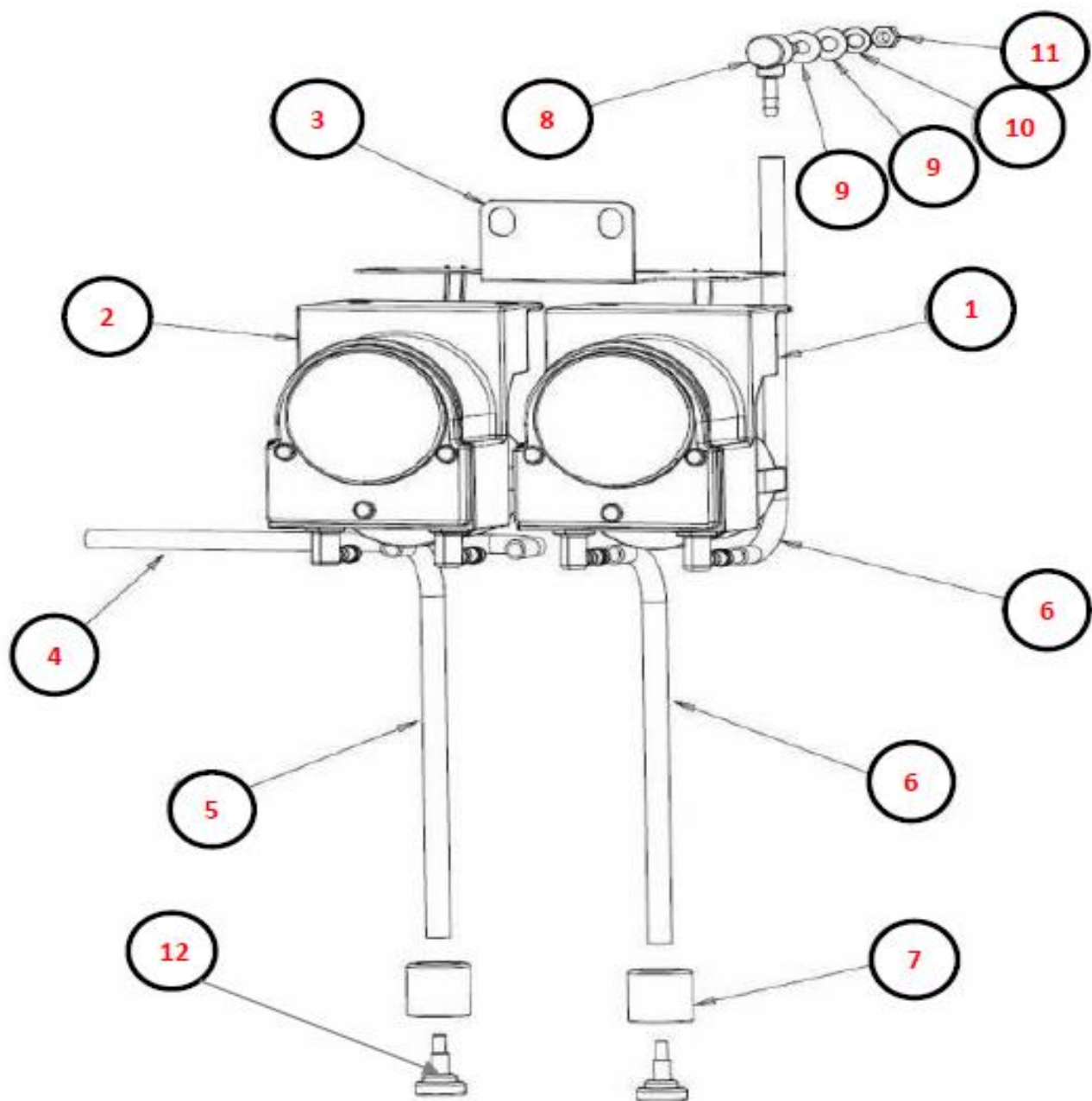




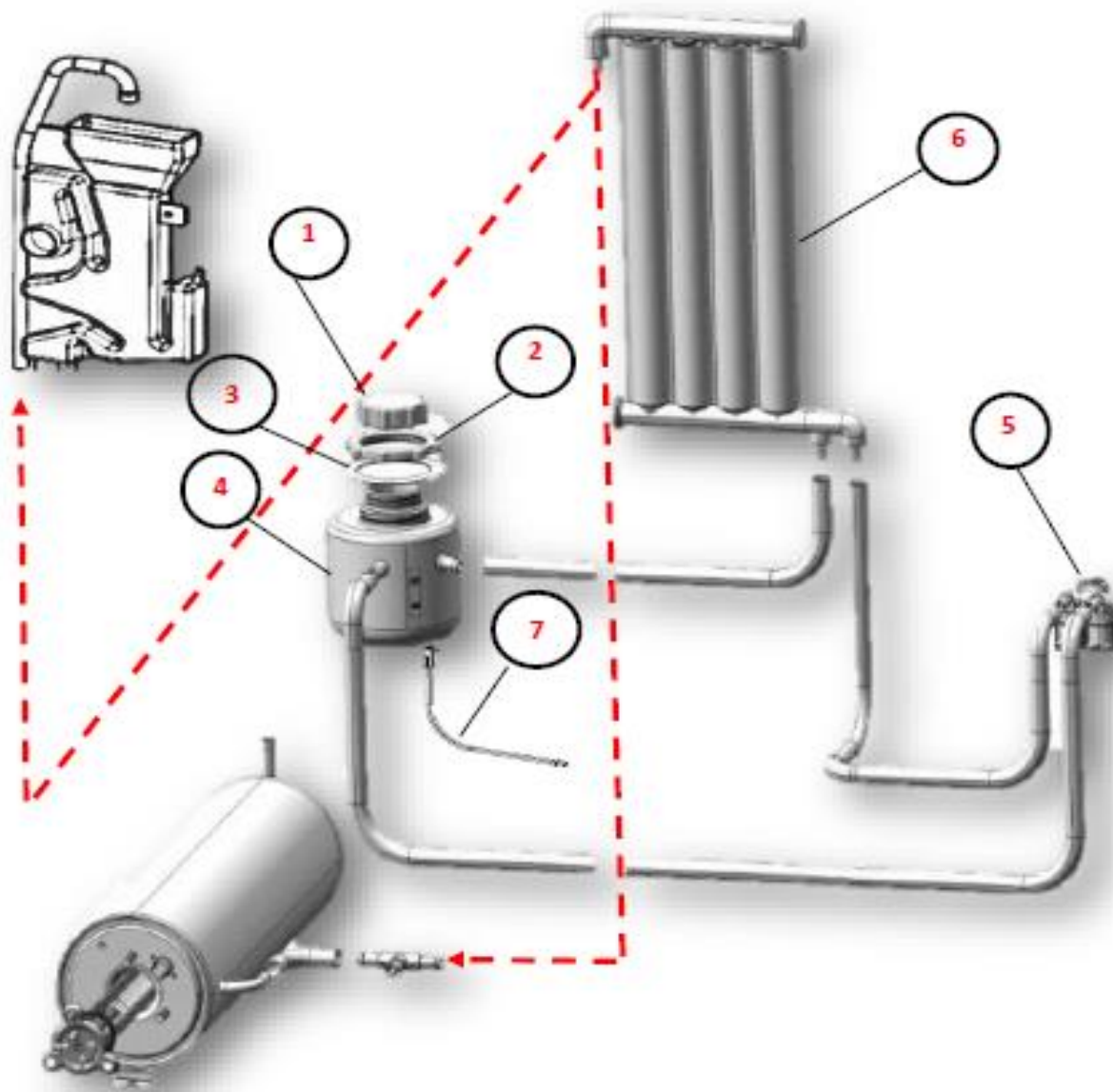
POS	CODE	DESCRIZIONE	DESCRIPTION	NR
1	902488	RETROTARGA CON PIASTRA N40 EVO2 IMPERIAL	BACKPLATE WITH PLATE N40 EVO2 IMPERIAL	1
2	904150	MORSETTIERA 6 POLI N600-N700-E45-E50	TERMINAL BOX 6 POLES N600-N700-E45-E50	1
3	902107	FILTRO ANTIDISTURBO TRIFASE	THREE-PHASED ANTINOISE FILTER	1
4	904162	MORSETTO BIPOLARE CON SPALLA	2-POLE CLAMP WITH BRACKET	1
5	905458	PRESSOSTATO 70/45	PRESSURE SWITCH 70/45	4
6	907398	SCHEDA EVO2/3 BASE ELCA 12 RELE	BASE BOARD EVO2/3 12 RELAY	1
7	907316	SCHEDA EVO2 FRONTALE ELCA 12 RELE	FRONT BOARD EVO2 12 RELAY	1
8	909290	REED MAGNETICO LAVASTOVIGLIE	MAGNETIC REED WAREWASHER	1
9	902675	TARGA EVOLUTION SILANOS	PLATE EVOLUTION SILANOS	1
10	900544	CAVO TELEFONICO SCHEDA EVO2/3 ELCA L=500MM	PHONE CABLE FOR EVO2/3 ELCA BOARD L=500MM	1
11	900541	SONDA NTC A BULBO EVO2/3 ELCA	BULB PROBE NTC EVO2/3 ELCA	1
12	900543	SONDA NTC AD OCCHIELLO EVO 2/3 ELCA	PROBE EYE NTC EVO2/3 ELCA	1
13	905374	PRESSOSTATO 50/10	PRESSURE SWITCH 50/10	1
14	907279	TUBO SILICONE 4X7	SILICONE HOSE 4X7	1
15	907254	TRAPPOLA ARIA N45-N50-N90-N1000-N1300	AIR TRAP N45-N50-N90-N1000-N1300	1
16	906036	GUARN. Ø16 P. SUGHERO	GASKET Ø16 CORK	1
17	902111	GHIERA 3/8" PPL	PLASTIC FERRULE 3/8"	1
18	902683	PRESSACAVO PG16	CABLE GLAD PG16	1
19	902677	GHIERA PRESSACAVO PG16	FERRULE CAGLE GLAND PG16	1
20	906788	CAVO ALIMENTAZ. 5X2.5X3500 H07	POWER-SOURCE CABLE 5X2.5X3500 H07	1
21	909366	DISTANZIALE SCHEDA FRONTALE H=10MM	FRONT BOARD SPACER H=10MM	4
22	905423	RACC. DOPPIO PRESSOSTATO	CONNECTION DOUBLE PRESSURE SWITCH	1
23	900800	GUSCIO ANTIPOLVERE PER SCHEDA FRONTALE EVO2/3 ELCA	DUST SHELL FOR FRONT BOARD EVO2/3 ELCA	1
24	902302	ISOLATORE SCHEDE BASE EVO2 ELCA	BASE BOARD ISOLATOR EVO2 ELCA	1
25	900801	TAPPO GOMMA PER GUSCIO ANTIVAPORE ELCA	RUBBER CAP FOR ANTISTEAM PROTECTION	1
26	905230	PRESSOSTATO 55/75	PRESSURE SWITCH 55/75	1
27	900808	CONNETTORE STOCKO 8 POLI SCHEDE ELCA	8-POLE CONNECTOR STOCKO ELCA BOARD	1
28	900807	CONNETTORE STOCKO 7 POLI SCHEDE ELCA	7-POLE CONNECTOR STOCKO ELCA BOARD	1
29	900803	CONNETTORE STOCKO 3 POLI SCHEDE ELCA	3-POLE CONNECTOR STOCKO ELCA BOARD	1
30	900802	CONNETTORE STOCKO 2 POLI SCHEDE ELCA	2-POLE CONNECTOR STOCKO, ELCA BOARD	1



POS	CODE	DESCRIZIONE	DESCRIPTION	NR
1	907456	PESO INOX 190mm TUBETTO BRILLANTANTE/DETERSIVO	STAINLESS STEEL WEIGHT TUBE RINSE AID DETERGENT 190mm	2
2	907278	TUBO CRYSTAL ROSSO 4X7	TRASPARENT-RED HOSE 4X7	2
3	902046	TUBO CRYSTAL TRASP. 4X7	TRASPARENT HOSE 4X7	1
4	907279	TUBO SILICONE 4X7	SILICONE HOSE 4X7	1
5	902053	DOSATORE DETERS. PERIST. SEKO SENZA REG.	PERISTALTIC DETERGENT PUMP WITHOUT REGULATOR	1
6	902095	DOSATORE BRILL. PERIST. SEKO SENZA REG.	PERISTALTIC RINSE-PRODUCT PUMP WITHOUT REGULATOR	1
7	952820	SUPP. DOS. PERISTALTICO DOPPIO	DOUBLE PERISTALTIC DOSING PUMP SUPPORT	1
8	906708	RACC. INOX ENTR. DETERSIVO VASCA ANT.	STAINLESS-STEEL FRONT INLET CONNECTION FOR DETERGENT IN TANK	1
9	903253	GUARN. RACC. DOS/SFIATO PS	GASKET DOSING UNIT/AIR VENT JUNCTION	1
10	906010	RONDELLA Ø5 P.	WASHER Ø5 P.	1
11	902030	DADO ATB 5	NUT ATB 5	1
12	902569	FILTRO DOSATORE	DOSING UNIT FILTER	2





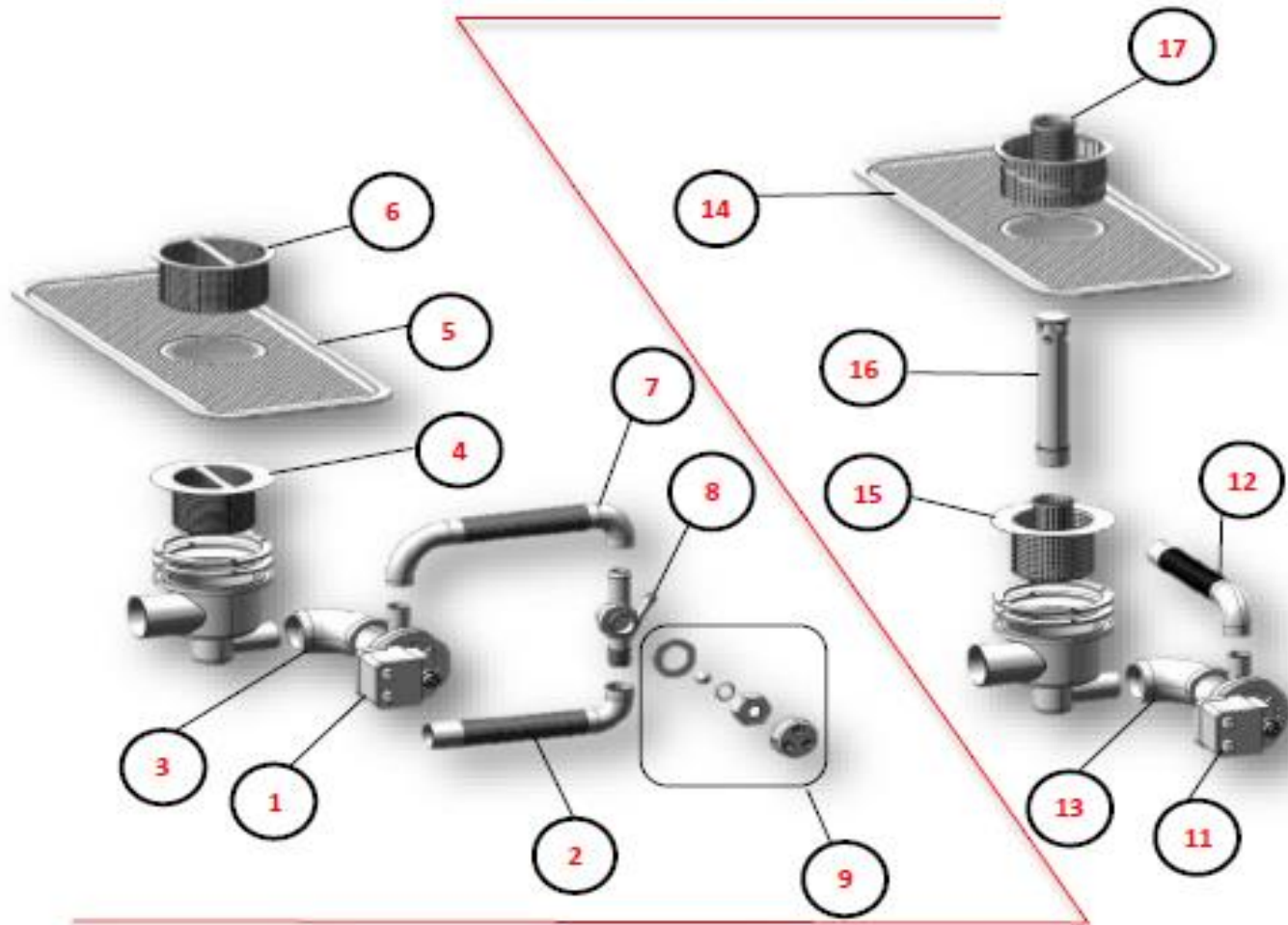








## **Normal drain**



## **Automatic drain**